

MODEL: MJ1-2502 | **DESCRIPTION:** AUDIO JACK**FEATURES**

- 2.5 mm mono jack
- right angle
- threaded bushing
- 2 conductors, 1 internal switch

**SPECIFICATIONS**

parameter	conditions/description	min	typ	max	units
rated input voltage			15		Vdc
rated input current				1	A
contact resistance				30	mΩ
insulation resistance	at 250 Vdc	100			MΩ
voltage withstand	for 1 minute			500	Vac
insertion/withdrawal force		0.3		2.5	kg
operating temperature		-25		85	°C
life			5,000		cycles
flammability rating	UL94V-0				
RoHS	yes				

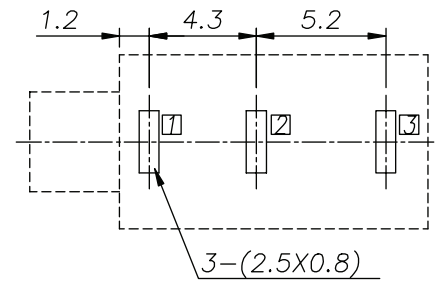
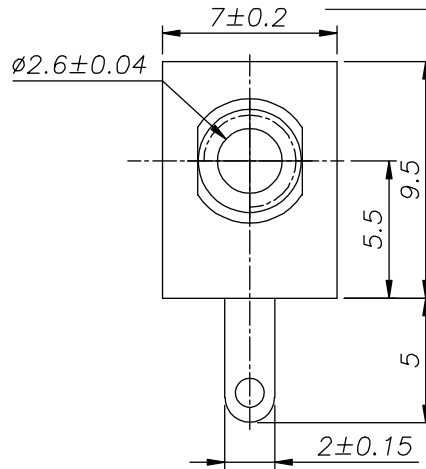
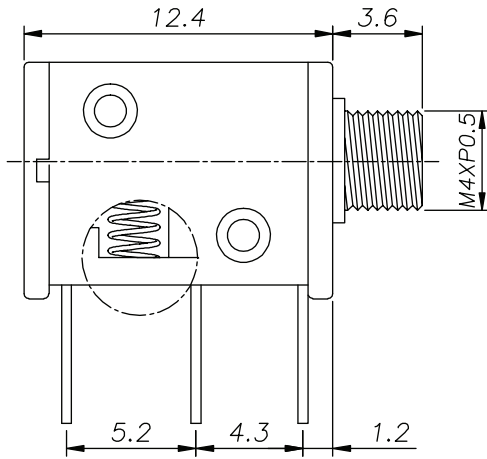
SOLDERABILITY

parameter	conditions/description	min	typ	max	units
wave soldering	dipped in solder pot for 4~6 seconds		250		°C

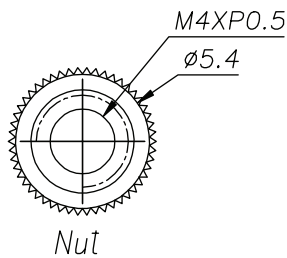
MECHANICAL DRAWING

units: mm
 tolerance: ± 0.30 mm
 PCB: ± 0.05 mm
 unless otherwise specified

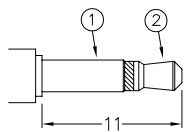
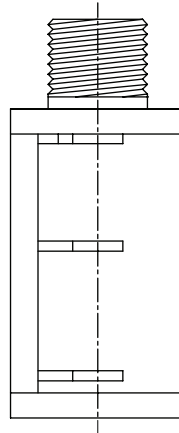
DESCRIPTION	MATERIAL	PLATING/COLOR
terminal 1	brass	tin
terminal 2	phosphor bronze	tin
terminal 3	brass	tin
bushing	brass	nickel
housing	PBT (UL94V-0)	black
nut	brass	nickel



Recommended PCB Layout
Top View



Nut



$\phi 2.5$ MATING PLUG

Model No.	MJ1-2502
Schematic	
PIN	
1	sleeve
2	tip
3	tip switch

REVISION HISTORY

rev.	description	date
1.0	initial release	06/24/2009
1.01	brand update	04/06/2020
1.02	product reengineered for improved manufacturability and production yield, see PCN for details	05/08/2023

The revision history provided is for informational purposes only and is believed to be accurate.



CUI Devices offers a one (1) year limited warranty. Complete warranty information is listed on our website.

CUI Devices reserves the right to make changes to the product at any time without notice. Information provided by CUI Devices is believed to be accurate and reliable. However, no responsibility is assumed by CUI Devices for its use, nor for any infringements of patents or other rights of third parties which may result from its use.

CUI Devices products are not authorized or warranted for use as critical components in equipment that requires an extremely high level of reliability. A critical component is any component of a life support device or system whose failure to perform can be reasonably expected to cause the failure of the life support device or system, or to affect its safety or effectiveness.

cuidevices.com