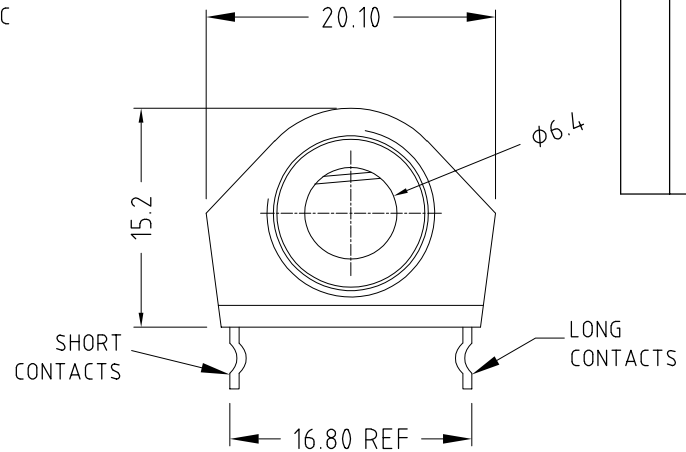
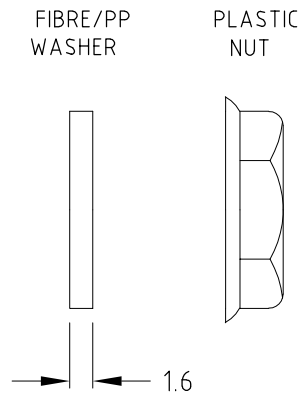
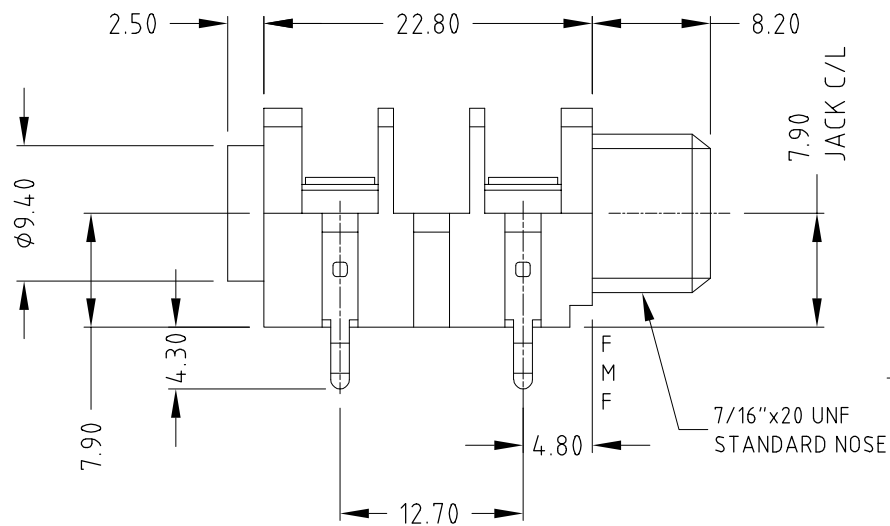


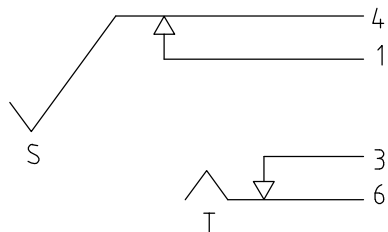
ISS.	AMEND	DATE
1	ISSUED	05/10/2016



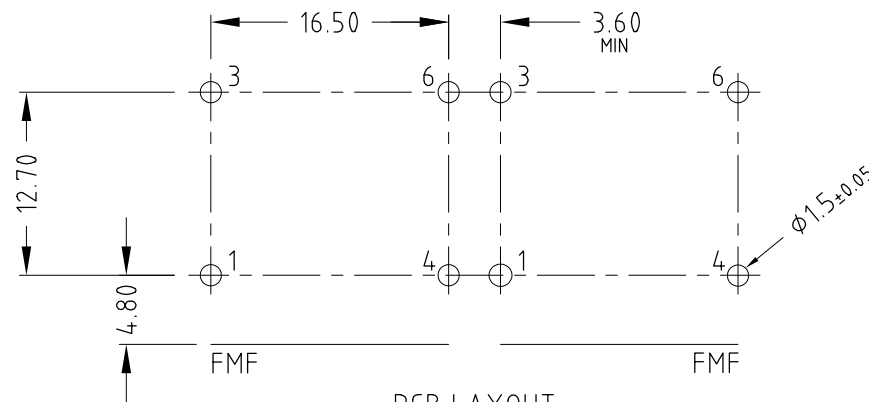
NOTES:-

1) MAXIMUM PANEL THICKNESS: 4.6mm.

SCHEMATIC



MONO (BNB) JACK
SWITCH CONTACTS OPEN WHEN
PLUG IS INSERTED + CLOSE
WHEN PLUG IS WITHDRAWN.



PCB LAYOUT

VIEWED FROM COMPONENT (TOP) SIDE



TOLERANCE
NO DEC. PLACE ±
1 DEC. PLACE ±
2 DEC. PLACE ±
HOLE Ø ±
ANGLES ±
UNLESS OTHERWISE STATED

DO NOT SCALE

Cliff Electronic Components Ltd.
76 Holmetherpe Avenue, Holmetherpe Industrial Estate,
Redhill, Surrey, RH1 2PF, England, UK
Tel: 01737-771375 Fax: 01737-766012 Website: www.cliffuk.co.uk

DIMENSIONS IN MILLIMETERS UNLESS OTHERWISE STATED. WORK TO DIMENSIONS. REMOVE ALL BURRS. IF IN DOUBT ASK.

ANGLE PROJECTION:

MATERIAL: NYLON / NIAG / FIBRE / PP

FINISH: AS MOULDED / MICROFINISH

DRAWN: NJB

APPROVED: DPJ

TITLE: S2/BNB/PC-C/KINK/WWN ASSEMBLED

DRWG. No. **CL1169A**

FORM: A4DRWGH