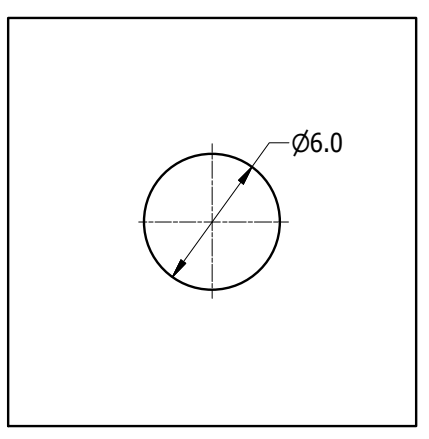
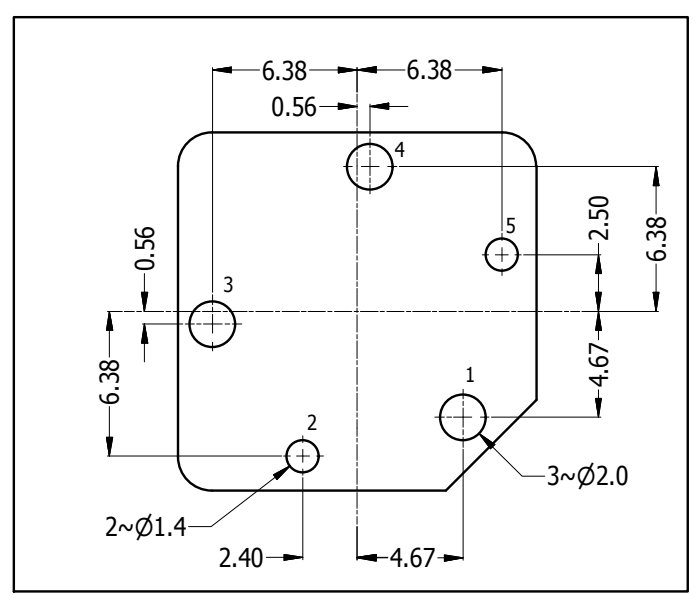
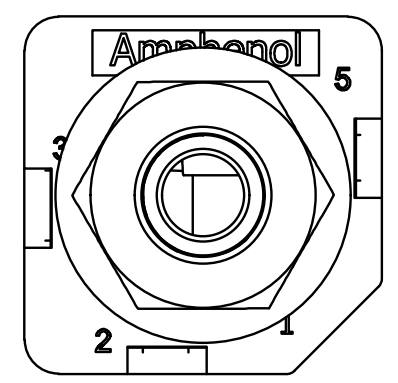
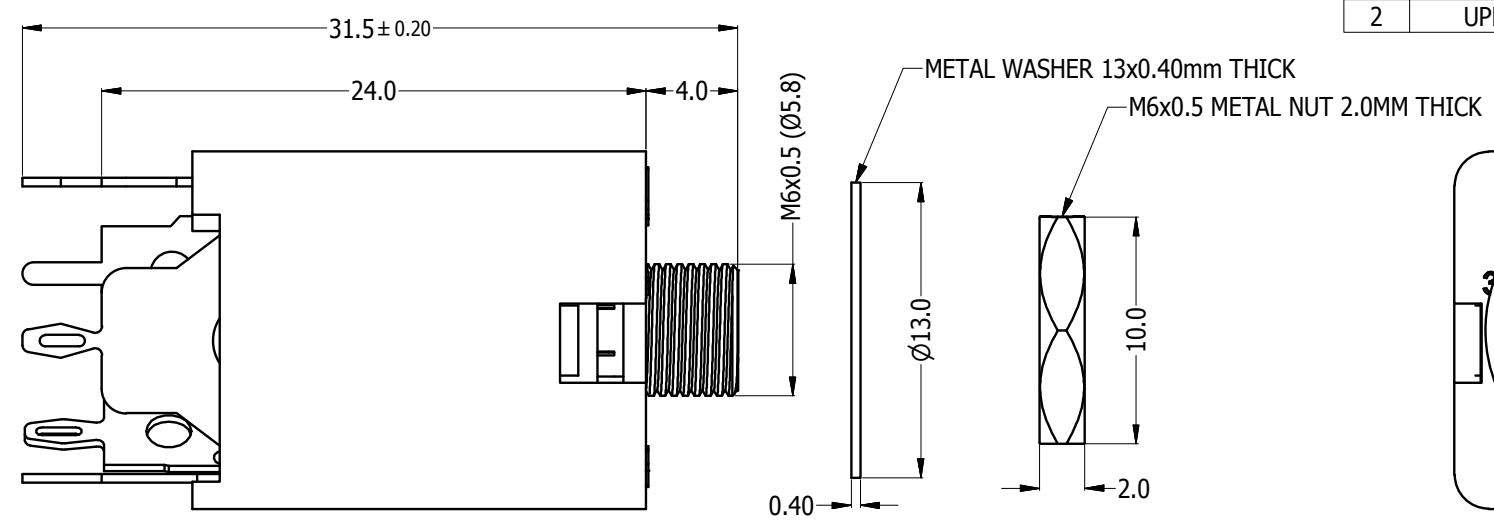
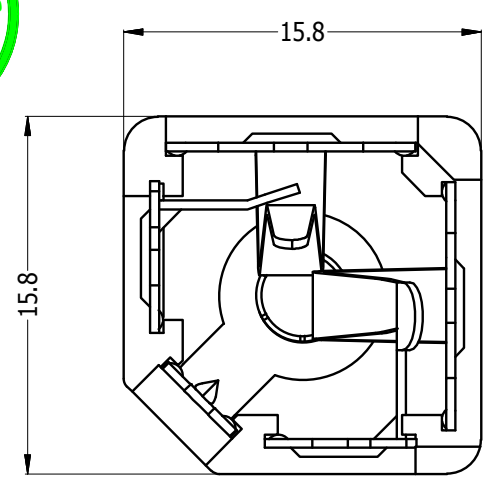
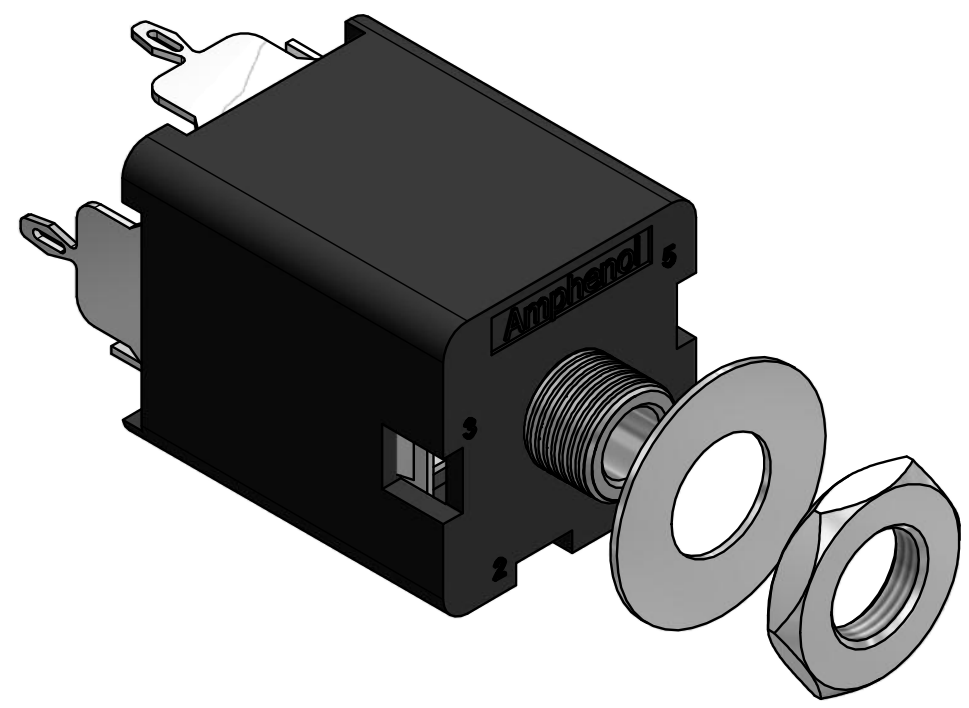


LEGEND = KEY PRODUCT CHARACTERISTICS

REVISION HISTORY				
REV	DESCRIPTION	DATE	BY	CHG/No
0	FIRST ISSUE	30/10/08	B.Z	8798
1	UPDATED LOGO LOCATION	03/02/15	MH	----
2	UPDATED LOGO LOCATION	09/09/15	NH	----



PANEL CUTOUT



PCB LAYOUT
(CONNECTOR SIDE)

PART NUMBER	ACJM-MV35-2	ACJM-MV35-2S	ACJS-MV35-3	ACJS-MV35-3S	ACJS-MV35-5
SCHEMATIC					

NOTE: This connector is suitable for maximum 1.15mm panel thickness with Metal Washer & Nut

<small>UNLESS OTHERWISE SPECIFIED TOLERANCE TO BE</small> <table border="1"> <tr> <th>LINEAR</th> <th>ANGULAR</th> </tr> <tr> <td>X ± 0.5</td> <td>X° ± 1</td> </tr> <tr> <td>X.X ± 0.1</td> <td>X.X° ± 30'</td> </tr> <tr> <td>X.XX ± 0.05</td> <td>X.XX° ± 15'</td> </tr> </table>	LINEAR	ANGULAR	X ± 0.5	X° ± 1	X.X ± 0.1	X.X° ± 30'	X.XX ± 0.05	X.XX° ± 15'	<small>THIS DOCUMENT IS THE PROPERTY OF AMPHENOL AUSTRALIA PTY. LTD. NO PART THEREOF MAY BE REPRODUCED AND USED WITHOUT THE PRIOR WRITTEN CONSENT OF THE OWNER</small>			Amphenol Australia Pty.Ltd, 22 Industry Blvd, Carrum Downs, VIC 3201	
	LINEAR	ANGULAR											
X ± 0.5	X° ± 1												
X.X ± 0.1	X.X° ± 30'												
X.XX ± 0.05	X.XX° ± 15'												
<small>BREAK ALL SHARP EDGES AND REMOVE ALL BURRS</small> DO NOT SCALE DIMENSIONS IN MILLIMETRES	MATERIAL: REFER TO COMPONENTS FINISH: REFER TO COMPONENTS	DRN: B.Z CKD: M.H APP'D: P.M SCALE: 3:1	DATE: 25/04/08 DATE: 09/09/15 DATE: 09/09/15 SIZE: A3	TITLE: 3.5mm JACK VERTICAL CUSTOMER DRAWING	PART No: SEE CHART DRAWING NO. 55010544-001-5 SHEET 1/1								