

PRODUCT DATA DRAWING

REVISION HISTORY			
REV	DESCRIPTION	DATE	APPROVED
J	DCN 50408	12/20	ELA

MATERIAL:

BODIES,
INSERTS, &
COUPLING NUT:

STAINLESS STEEL PER AMS-5640,
ALLOY UNS S30300, TYPE 1

LOCK RING &
CONTACTS:

BERYLLIUM COPPER PER ASTM B196,
ALLOY No. UNS C17300, TD04

SLEEVE:

BRASS PER ASTM B16, ALLOY UNS No. C36000

BEADS:

ULTEM 1000

BELLOWS SPRINGS:

ELECTRO-DEPOSITED GOLD OVER NICKEL

GASKET:

SILICONE RUBBER PER A-A-59588,
CLASS 2B, GRADE 50/60

RESISTOR ELEMENT:

ALUMINUM NITRIDE SUBSTRATE WITH
TANTALUM NITRIDE RESISTOR:
GOLD PLATED TERMINATIONS

FINISH:

BODIES,
INSERTS, &
COUPLING NUT:

PASSIVATED PER AMS-2700, TYPE 2

CONTACTS:

GOLD PER ASTM B488, TYPE I,
CODE C, CLASS 0.51; OVER NICKEL
PER AMS-QQ-N-290, CLASS 1, .00005" MIN.

SLEEVE:

GOLD PER ASTM B 488, TYPE II,
CODE C, CLASS 1.27; OVER NICKEL
PER AMS-QQ-N-290, CLASS 1, .00005" MIN.

PERFORMANCE:

IMPEDANCE:
FREQ. RANGE:
VSWR:

50 OHMS
DC TO 40.0 GHz
1.30:1 MAX. DC TO 26.5 GHz
1.40:1 MAX. 26.5 TO 40.0 GHz

OPERATING TEMP.:
AVG. POWER:

-55°C TO +125°C
0.5 WATT (POWER INPUT DERATED LINEARLY
FROM 25°C TO 0.25 WATTS AT 135°C)

PEAK POWER:

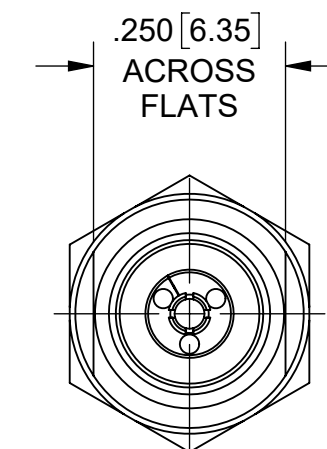
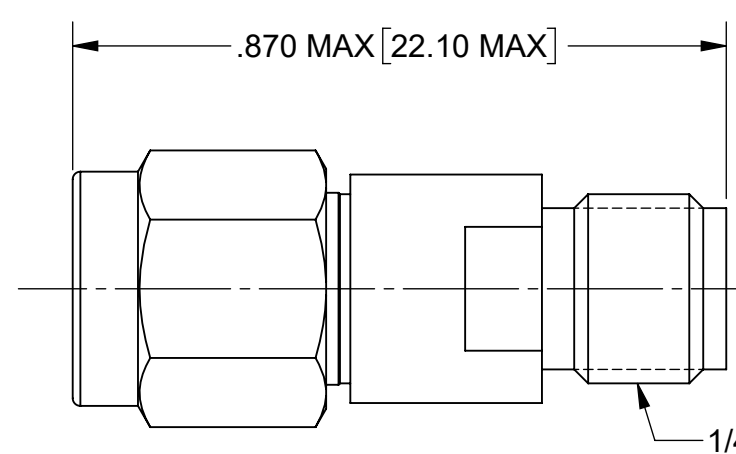
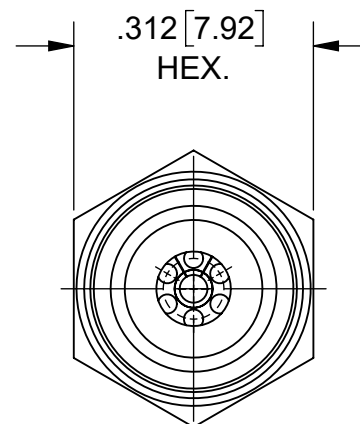
100 WATTS (PEAK POWER FOR A DUTY CYCLE
OF 5X10⁻⁴ MAXIMUM PULSE DURATION OF
5 MICROSECONDS)

ENGAGEMENT/
DISENGAGEMENT:

2 IN-LBS

NOTES:

- SF0915-6200-00 DOES NOT HAVE A RESISTIVE PATH TO GROUND.



dB VALUE TO "XX" NUMBER CHART

dB VALUE	ATTENUATION ACCURACY	
	DC-26.5 GHz	26.5-40.0 GHz
0-6 dB	±0.5 dB	±0.8 dB
6.25-10 dB	±0.6 dB	±0.8 dB
10.25-20 dB	±0.6 dB	±1.0 dB

dB VALUE	XX	dB VALUE	XX	dB VALUE	XX	dB VALUE	XX
.25	40	5.25	50	10.25	60	15.25	70
.5	00	5.5	25	10.5	30	15.5	35
.75	41	5.75	51	10.75	61	15.75	71
1	01	6	06	11	11	16	16
1.25	42	6.25	52	11.25	62	16.25	72
1.5	21	6.5	26	11.5	31	16.5	36
1.75	43	6.75	53	11.75	63	16.75	73
2	02	7	07	12	12	17	17
2.25	44	7.25	54	12.25	64	17.25	74
2.5	22	7.5	27	12.5	32	17.5	37
2.75	45	7.75	55	12.75	65	17.75	75
3	03	8	08	13	13	18	18
3.25	46	8.25	56	13.25	66	18.25	76
3.5	23	8.5	28	13.5	33	18.5	38
3.75	47	8.75	57	13.75	67	18.75	77
4	04	9	09	14	14	19	19
4.25	48	9.25	58	14.25	68	19.25	78
4.5	24	9.5	29	14.5	34	19.5	39
4.75	49	9.75	59	14.75	69	19.75	79
5	05	10	10	15	15	20	20

MATERIAL: SEE NOTES	DIMENSIONS ARE IN INCHES TOLERANCES: FRACTIONAL: ±1/64 ANGULAR: X° ±1'0" X'X' ±15'	UNLESS OTHERWISE SPECIFIED 1) ALL DIMENSIONS ARE IN INCHES (MILLIMETERS) 2) ALL DIMENSIONS ARE AFTER PLATING. 3) BREAK CORNERS & EDGES .005 R. MAX. 4) CHAM. 1ST & LAST THREADS. 5) SURFACE ROUGHNESS 63-MIL-STD-10. 6) DIA: 'S ON COMMON CENTERS TO BE CONCENTRIC WITHIN .005 T.I.R. 7) REMOVE ALL BURRS	SV Microwave, Inc. www.svmicrowave.com TITLE: SVK JACK TO PLUG ATTENUATOR SIZE DWG. NO. SF0915-6200-XX SCALE: 4:1 SHEET 1 OF 1
FINISH: SEE NOTES	DECIMAL: X ±.030 .XX ±.010 .XXX ±.005	INTERPRET DIMENSIONS AND TOLERANCES PER ASME Y14.5M - 1994	
SURFACE AREA: N/A	THIRD ANGLE PROJECTION	DRAWN: MGT 05/27/04 CHECKED: DWC 11/14/01 APPROVED: DWC 11/14/01	
PROPRIETARY THE INFORMATION CONTAINED IN THIS DRAWING IS THE SOLE PROPERTY OF SV MICROWAVE, INC. ANY REPRODUCTION IN PART OR AS A WHOLE WITHOUT THE WRITTEN PERMISSION OF SV MICROWAVE, INC IS PROHIBITED.			