



10 dB Fixed Attenuator, 2.92mm Male to 2.92mm
Female Black Anodized Aluminum Heatsink
Body Rated to 10 Watts Up to 40 GHz

RF Fixed Attenuators Technical Data Sheet

PE7AP4009-10

Features

- Directional
- DC to 40GHz Frequency Range
- Attenuation 10 dB
- Accuracy +/-1.0 dB typ
- Max Power 10W (CW)
- VSWR < 1.4:1

Applications

- Instrumentation
- Precision Measurements
- Prototyping and Characterization
- Production Systems
- Antenna Testing

Description

Pasternack carries a wide range of fixed attenuators with a broad selection of attenuation levels, frequency ranges, and power dissipation ranges. RF microwave attenuators (also known as RF pads) lower the amplitude of a signal (attenuate) a known amount and can be used in a wide variety of applications. These attenuator pads are used when a signal needs to be reduced to protect measurement equipment or other circuitry, to extend the range of power meters and amplifiers, and to impedance match circuits by reducing the VSWR seen by adjacent components. RF attenuators can prevent signal overload in amplifiers, receivers and detectors, adjusting the signal level to a range that is optimal.

Few RF components are as commonly used as fixed coaxial attenuators, and Pasternack carries one of the largest in-stock varieties and ships them same day. The 10 dB Fixed Attenuator PE7AP4009-10 is rated to 10 Watts and operates from DC to 40 GHz. The versatile coaxial package uses 2.92mm male to 2.92mm female connectors and is also REACH and RoHS compliant. The Black Anodized Aluminum Heatsink body allows for efficient heat dissipation under high power usage conditions.

Electrical Specifications

Description	Minimum	Typical	Maximum	Units
Frequency Range	DC		40	GHz
Impedance		50		Ohms
Nominal Attenuation		10		dB
Attenuation Accuracy		1		dB
VSWR			1.4:1	
Input Power, CW			10	Watts
10W average to 25°C ambient temperature, derated linearly to 0.5W @ 125°C				
Input Power, Peak			200	Watts
5µs pulse, 1% duty cycle				

Click the following link (or enter part number in "SEARCH" on website) to obtain additional part information including price, inventory and certifications: [10 dB Fixed Attenuator, 2.92mm Male to 2.92mm Female Black Anodized Aluminum Heatsink Body Rated to 10 Watts Up to 40 GHz PE7AP4009-10](#)



10 dB Fixed Attenuator, 2.92mm Male to 2.92mm
Female Black Anodized Aluminum Heatsink
Body Rated to 10 Watts Up to 40 GHz

RF Fixed Attenuators Technical Data Sheet

PE7AP4009-10

Mechanical Specifications

Size

Length	0 in [0 mm]
Width/Diameter	0 in [0 mm]
Height	0 in [0 mm]
Weight	20.503 lbs [9.3 kg]
Body Material and Plating	Black Anodized Aluminum Heatsink

Configuration

Design	Fixed, Directional
Package Style	Connectorized

Connectors

Description	Connector 1	Connector 2
Type	2.92mm Male	2.92mm Female
Contact Material and Plating	Brass, Gold	Beryllium Copper, Gold
Coupling Nut Material and Plating	Passivated Stainless Steel	
Body Material and Plating	Passivated Stainless Steel	Passivated Stainless Steel

Environmental Specifications

Temperature

Operating Range	-55 to +100 deg C
-----------------	-------------------

Compliance Certifications (see [product page](#) for current document)

Plotted and Other Data

Notes:

10 dB Fixed Attenuator, 2.92mm Male to 2.92mm Female Black Anodized Aluminum Heatsink Body Rated to 10 Watts Up to 40 GHz from Pasternack Enterprises has same day shipment for domestic and International orders. Our RF, microwave and millimeter wave products maintain a 99.4% availability and are part of the broadest selection in the industry.

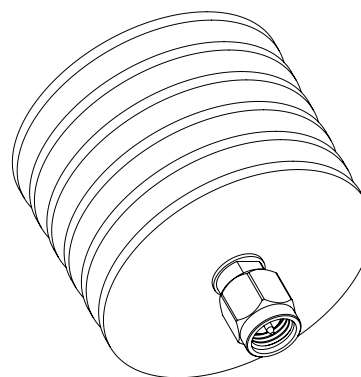
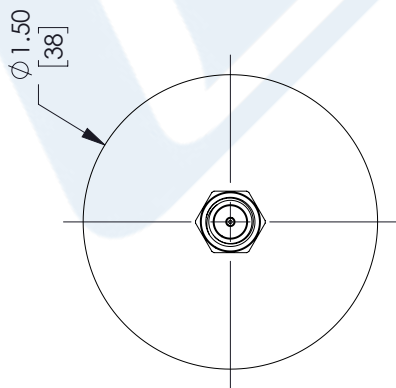
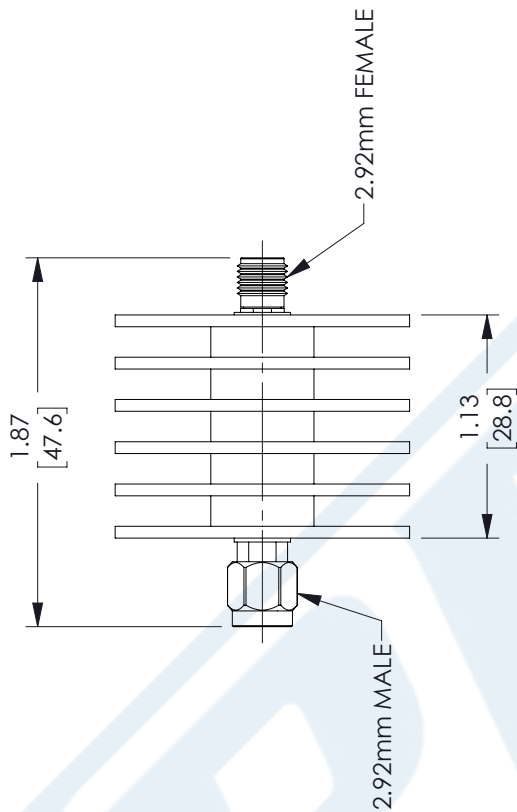
Click the following link (or enter part number in "SEARCH" on website) to obtain additional part information including price, inventory and certifications: [10 dB Fixed Attenuator, 2.92mm Male to 2.92mm Female Black Anodized Aluminum Heatsink Body Rated to 10 Watts Up to 40 GHz PE7AP4009-10](#)

URL: <https://www.pasternack.com/10db-fixed-2.92mm-male-2.92mm-female-10-watts-attenuator-pe7ap4009-10-p.aspx>

PE7AP4009-10 CAD Drawing

10 dB Fixed Attenuator, 2.92mm Male to 2.92mm Female Black Anodized Aluminum Heatsink Body Rated to 10 Watts Up to 40 GHz

REVISIONS		
REV.	DESCRIPTION	DATE
A	INITIAL RELEASE	10/12/2021
		APPROVED
		SPONG



UNLESS OTHERWISE SPECIFIED
LEADING DIMENSIONS ARE INCHES
DIMENSIONS IN [] ARE MILLIMETERS

TOLERANCES:
 .X = ±.2 [5.08] FRACTIONS ±.1/32
 .XX = ±.02 [.51] ±.1/32
 .XXX = ±.005 [.13] ANGLES ± 1°
 CABLE LENGTH (L) TOLERANCES:
 L ≤ 12 [305] = +1 [25] / -0
 12 [305] < L ≤ 60 [1524] = +2 [51] / -0
 60 [1524] < L ≤ 120 [3048] = +4 [102] / -0
 120 [3048] < L ≤ 300 [7620] = +6 [152] / -0
 300 [7620] < L = +5%L / -0

ALL DIMENSIONS SHOWN
ARE FOR REFERENCE ONLY.

PE PASTERNAK
an INFINITI[®] brand

Pasternack Enterprises, Inc.
P.O. Box 16759, Irvine, CA 92623.
Phone: 1.949.261.1920 | 1.866.727.8376
Fax: 1.949.261.7451
Website: www.pasternack.com
E-mail: sales@pasternack.com

ITEM NO. PE7AP4009-10

THIRD-ANGLE PROJECTION

THE INFORMATION AND DESIGN IN THIS DOCUMENT IS THE PROPERTY OF PASTERNAK CORPORATION ALL RIGHTS RESERVED.

SHEET 1 OF 1

SCALE N/A

REV A

THESE COMMODITIES, TECHNOLOGY OR SOFTWARE WERE EXPORTED FROM THE UNITED STATES IN ACCORDANCE WITH THE EXPORT ADMINISTRATION REGULATIONS. DIVERSION CONTRARY TO U.S. LAW PROHIBITED.