



3 dB Fixed Attenuator, TNC Male to TNC Female  
Brass Body Rated to 2 Watts, DC to 12 GHz

## RF Fixed Attenuators Technical Data Sheet

PE7469-3

### Features

- DC to 12 GHz Frequency Range
- TNC Connectorized Design
- Attenuation 3 dB  $\pm$ 1 dB
- Max Power 2 Watts (CW)
- Max VSWR of 1.35:1

### Applications

- Instrumentation
- Precision Measurements
- Prototyping and Characterization
- Production Systems
- WIFI 6E
- 5G Cellular bands

### Description

Pasternack carries a wide range of fixed attenuators with a broad selection of attenuation levels, frequency ranges, and power dissipation ranges. RF microwave attenuators (also known as RF pads) lower the amplitude of a signal (attenuate) a known amount and can be used in a wide variety of applications. These attenuator pads are used when a signal needs to be reduced to protect measurement equipment or other circuitry, to extend the range of power meters and amplifiers, and to impedance match circuits by reducing the VSWR seen by adjacent components. RF attenuators can prevent signal overload in amplifiers, receivers and detectors, adjusting the signal level to a range that is optimal.

Few RF components are as commonly used as fixed coaxial attenuators, and Pasternack carries one of the largest in-stock varieties and ships them same day. The 3 dB Fixed Attenuator PE7469-3 is rated to and operates from DC to 12 GHz. The versatile coaxial package uses TNC female to TNC male connectors.

### Electrical Specifications

Description	Minimum	Typical	Maximum	Units
Frequency Range	DC		12	GHz
Impedance		50		Ohms
Nominal Attenuation		3		dB
VSWR			1.35:1	
Input Power, CW			2	Watts

### Specifications by Frequency

Description	F1	F2	F3	F4	F5	Units
Frequency Range	DC to 2	2 to 5	5 to 10	10 to 12		GHz
VSWR, Max	1.15:1	1.25:1	1.35:1	1.35:1		
Attenuation Accuracy, Typ	0.2	0.3	0.5	1		dB

Click the following link (or enter part number in "SEARCH" on website) to obtain additional part information including price, inventory and certifications: [3 dB Fixed Attenuator, TNC Male to TNC Female Brass Body Rated to 2 Watts, DC to 12 GHz PE7469-3](#)



3 dB Fixed Attenuator, TNC Male to TNC Female  
Brass Body Rated to 2 Watts, DC to 12 GHz

## RF Fixed Attenuators Technical Data Sheet

**PE7469-3**

### Mechanical Specifications

#### Size

Length	2.09 in [53.09 mm]
Width/Diameter	0.63 in [16 mm]
Height	0.63 in [16 mm]
Weight	0.09 lbs [40.82 g]
Body Material and Plating	Brass, Tri-Metal

#### Configuration

Design	Fixed, Bi-Directional
Package Style	Conectorized

#### Connectors

Description	Connector 1	Connector 2
Type	TNC Female	TNC Male
Contact Material and Plating	Phosphor Bronze, Gold	Phosphor Bronze, Gold
Dielectric Type	Teflon	Teflon
Body Material and Plating	Brass, Tri-Metal	Brass, Tri-Metal

### Environmental Specifications

**Compliance Certifications** (see [product page](#) for current document)

### Plotted and Other Data

Notes:

3 dB Fixed Attenuator, TNC Male to TNC Female Brass Body Rated to 2 Watts, DC to 12 GHz from Pasternack Enterprises has same day shipment for domestic and International orders. Our RF, microwave and millimeter wave products maintain a 99.4% availability and are part of the broadest selection in the industry.

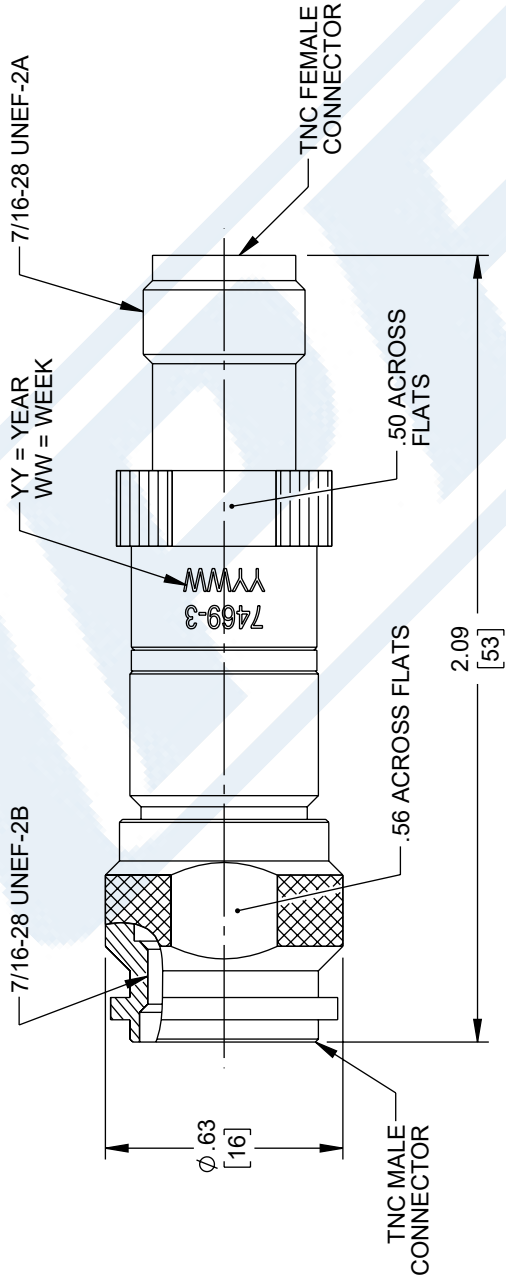
Click the following link (or enter part number in "SEARCH" on website) to obtain additional part information including price, inventory and certifications: [3 dB Fixed Attenuator, TNC Male to TNC Female Brass Body Rated to 2 Watts, DC to 12 GHz PE7469-3](#)

URL: <https://www.pasternack.com/3db-fixed-tnc-female-tnc-male-0-watts-attenuator-pe7469-3-p.aspx>

# PE7469-3 CAD Drawing

3 dB Fixed Attenuator, TNC Male to TNC Female Brass  
Body Rated to 2 Watts, DC to 12 GHz

REVISION					
ZONE	REV	DESCRIPTION	DATE	CHANGED BY	APPROVED
	B	ECO-12792	05/18/2023	DZINN	SPONG



<b>PASTERNAK</b> an INFINITI <sup>®</sup> brand	Website: <a href="http://www.Pasternack.com">www.Pasternack.com</a> Phone: 1.866.727.8376   1.949.261.1920	INTERPRET ALL DIMENSIONS AND TOLERANCES PER ASME Y14.5 SCALE: NONE SHEET: 1 OF 1
	DESCRIPTION: <b>FIXED ATTENUATOR, TNC MALE TO TNC FEMALE, 3dB,          50 OHM, 12GHZ RATED, 2 WATT, BRASS</b>	SIZE: A CASE CODE: 53919 DRAWN BY: DZINN ITEM NO.: PE7469-3

UNLESS OTHERWISE SPECIFIED LEADING DIMENSIONS ARE INCHES DIMENSIONS IN [ ] ARE MILLIMETERS

TOLERANCES:  
 X = ±.2 [5]  
 .XX = ±.02 [.5]  
 .XXX = ±.005 [.13]  
 FRACTIONS ± 1/32  
 ANGLES ± 1°  
 CABLE LENGTH TOLERANCES:  
 ≤12 [305] = +1 [25] / -0  
 >12 [305] ≤ 60 [1524] = +2 [51] / -0  
 >60 [1524] ≤ 120 [3048] = +4 [102] / -0  
 >120 [3048] ≤ 300 [7620] = +6 [182] / -0  
 >300 [7620] = +5% / -0

ALL DIMENSIONS ARE FOR REFERENCE ONLY AND SUBJECT TO CHANGE WITHOUT NOTICE.

THE INFORMATION CONTAINED IN THIS DRAWING IS THE SOLE PROPERTY OF INFINITE ELECTRONICS, INC. ANY REPRODUCTION IN PART OR WHOLE WITHOUT THE WRITTEN PERMISSION OF INFINITE ELECTRONICS, INC. IS PROHIBITED. THESE COMMODITIES, TECHNOLOGY OR SOFTWARE WERE EXPORTED FROM THE UNITED STATES IN ACCORDANCE WITH THE EXPORT ADMINISTRATION REGULATIONS. DIVERSION CONTRARY TO U.S. LAW PROHIBITED.