



20 dB Fixed Attenuator, SMA Male to SMA Female Black  
Anodized Aluminum Body Rated to 5 Watts Up to 12.4 GHz

**RF Fixed Attenuators Technical Data Sheet**

**PE7460-20**

**Features**

- DC to 12.4 GHz Frequency Range
- SMA Connectorized Design
- Attenuation 20 dB  $\pm$ 0.5 dB
- Max Power 5 Watts (CW)
- Max VSWR of 1.25:1

**Applications**

- Instrumentation
- Precision Measurements
- Prototyping and Characterization
- Production Systems
- WIFI 6E
- 5G Cellular Bands

**Description**

Pasternack carries a wide range of fixed attenuators with a broad selection of attenuation levels, frequency ranges, and power dissipation ranges. RF microwave attenuators (also known as RF pads) lower the amplitude of a signal (attenuate) a known amount and can be used in a wide variety of applications. These attenuator pads are used when a signal needs to be reduced to protect measurement equipment or other circuitry, to extend the range of power meters and amplifiers, and to impedance match circuits by reducing the VSWR seen by adjacent components. RF attenuators can prevent signal overload in amplifiers, receivers and detectors, adjusting the signal level to a range that is optimal.

Few RF components are as commonly used as fixed coaxial attenuators, and Pasternack carries one of the largest in-stock varieties and ships them same day. The 20 dB Fixed Attenuator PE7460-20 is rated to 5 Watts and operates from DC to 12.4 GHz. The versatile coaxial package uses SMA male to SMA female connectors and is also REACH compliant.

**Electrical Specifications**

Description	Minimum	Typical	Maximum	Units
Frequency Range	DC		12.4	GHz
Impedance		50		Ohms
Nominal Attenuation		20		dB
Attenuation Accuracy		0.5		dB
VSWR			1.25:1	
Input Power, CW Derated linearly to 0.5W at 125°C			5	Watts
Input Power, Peak 5 $\mu$ s pulse, 1% Duty Cycle			500	Watts

Click the following link (or enter part number in "SEARCH" on website) to obtain additional part information including price, inventory and certifications: [20 dB Fixed Attenuator, SMA Male to SMA Female Black Anodized Aluminum Body Rated to 5 Watts Up to 12.4 GHz PE7460-20](#)



20 dB Fixed Attenuator, SMA Male to SMA Female Black Anodized Aluminum Body Rated to 5 Watts Up to 12.4 GHz

## RF Fixed Attenuators Technical Data Sheet

**PE7460-20**

### Mechanical Specifications

#### Size

Length	1.34 in [34.04 mm]
Width/Diameter	0.62 in [15.75 mm]
Height	0.62 in [15.75 mm]
Weight	0.02 lbs [9.07 g]
Body Material and Plating	Black Anodized Aluminum

#### Configuration

Design	Fixed, Bidirectional
--------	----------------------

#### Connectors

Description	Connector 1	Connector 2
Type	SMA Male	SMA Female
Contact Material and Plating	Brass, Gold	Beryllium Copper, Gold
Body Material and Plating	Brass, Nickel	Brass, Nickel

### Environmental Specifications

#### Temperature

Operating Range	-55 to +125 deg C
-----------------	-------------------

**Compliance Certifications** (see [product page](#) for current document)

### Plotted and Other Data

Notes:

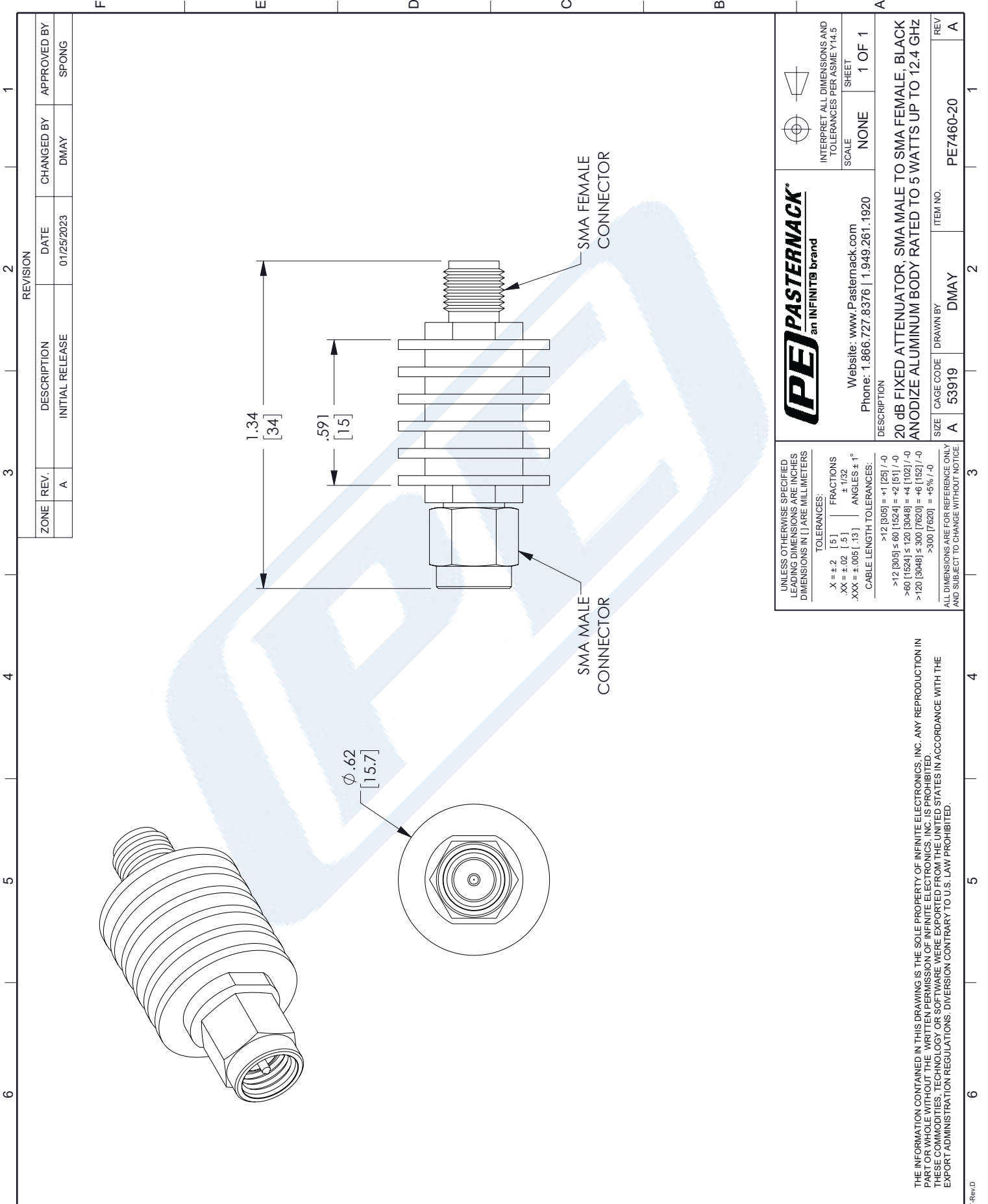
20 dB Fixed Attenuator, SMA Male to SMA Female Black Anodized Aluminum Body Rated to 5 Watts Up to 12.4 GHz from Pasternack Enterprises has same day shipment for domestic and International orders. Our RF, microwave and millimeter wave products maintain a 99.4% availability and are part of the broadest selection in the industry.

Click the following link (or enter part number in "SEARCH" on website) to obtain additional part information including price, inventory and certifications: [20 dB Fixed Attenuator, SMA Male to SMA Female Black Anodized Aluminum Body Rated to 5 Watts Up to 12.4 GHz PE7460-20](#)

URL: <https://www.pasternack.com/20db-fixed-sma-male-sma-female-5-watts-attenuator-pe7460-20-p.aspx>

# PE7460-20 CAD Drawing

20 dB Fixed Attenuator, SMA Male to SMA Female Black Anodized Aluminum Body Rated to 5 Watts Up to 12.4 GHz



ZONE	REV.	DESCRIPTION	DATE	CHANGED BY	APPROVED BY
A		INITIAL RELEASE	01/25/2023	DMAY	SPONG

REVISION	
1	

UNLESS OTHERWISE SPECIFIED LEADING DIMENSIONS ARE INCHES DIMENSIONS IN [ ] ARE MILLIMETERS

TOLERANCES:  
 X = ±.2 [5] FRACTIONS ± 1/32  
 .XX = ±.02 [.5] ANGLES ± 1°  
 .XXX = ±.005 [.13] CABLE LENGTH TOLERANCES:  
 >12 [305] ≤ 60 [1524] = +1 [25] / -0  
 >60 [1524] ≤ 120 [3048] = +4 [102] / -0  
 >120 [3048] ≤ 300 [7620] = +6 [192] / -0  
 >300 [7620] = +5% / -0  
 ALL DIMENSIONS ARE FOR REFERENCE ONLY AND SUBJECT TO CHANGE WITHOUT NOTICE.

THE INFORMATION CONTAINED IN THIS DRAWING IS THE SOLE PROPERTY OF INFINITE ELECTRONICS, INC. ANY REPRODUCTION IN PART OR WHOLE WITHOUT THE WRITTEN PERMISSION OF INFINITE ELECTRONICS, INC. IS PROHIBITED. THESE COMMODITIES, TECHNOLOGY OR SOFTWARE WERE EXPORTED FROM THE UNITED STATES IN ACCORDANCE WITH THE EXPORT ADMINISTRATION REGULATIONS. DIVERSION CONTRARY TO U.S. LAW PROHIBITED.

INTERPRET ALL DIMENSIONS AND TOLERANCES PER ASME Y14.5

SCALE NONE SHEET 1 OF 1

Website: www.Pasternack.com  
 Phone: 1.866.727.8376 | 1.949.261.1920

DESCRIPTION  
 20 dB FIXED ATTENUATOR, SMA MALE TO SMA FEMALE, BLACK ANODIZE ALUMINUM BODY RATED TO 5 WATTS UP TO 12.4 GHz

ITEM NO. PE7460-20  
 DRAWN BY DMAY  
 CAGE CODE 53919  
 REV A