



10dB DC Bias Attenuator, TNC Male to TNC Female Brass
Tri-Metal Body Rated to 2 Watts from 100MHz to 3 GHz

DC Bias Attenuators Technical Data Sheet

PE7449-10

Pasternack carries a wide range of fixed attenuators with a broad selection of attenuation levels, frequency ranges, and power dissipation ranges. RF microwave attenuators (also known as RF pads) lower the amplitude of a signal (attenuate) a known amount and can be used in a wide variety of applications. These attenuator pads are used when a signal needs to be reduced to protect measurement equipment or other circuitry, to extend the range of power meters and amplifiers, and to impedance match circuits by reducing the VSWR seen by adjacent components. RF attenuators can prevent signal overload in amplifiers, receivers and detectors, adjusting the signal level to a range that is optimal.

Few RF components are as commonly used as fixed coaxial attenuators, and Pasternack carries one of the largest in-stock varieties and ships them same day. The PE7449-10 is a 10 dB DC passing Fixed Attenuator that operates from 100 MHz to 3 GHz and is rated to 2 Watts and 0.1A DC current. PE7449-10 would only attenuate RF signal without reducing the DC current passing through the part. The versatile coaxial package uses TNC male to TNC female connectors.

- 0.1GHz to 3GHz Frequency Range
- Input Power 2 Watts (CW)
- 50ohm impedance
- Attenuation 10±2.5dB
- DC Bias Current 100mA Max
- VSWR < 1.35:1

Configuration

Design	DC Bias Attenuator
Connector 1	TNC Male
Connector 2	TNC Female
Body Material and Plating	Brass, Tri-Metal

Electrical Specifications

Frequency Range, GHz	0.1 to 3
Impedance, Ohms	50
Attenuation Value, dB	10
Attenuation Accuracy, dB	±2.5
Maximum Input Power, Watts	2
Maximum VSWR	1.35:1
Maximum DC Bias Voltage, Volts	100
Maximum DC Bias Current, A	0.1

Mechanical Specifications

Size

Length, in [mm]	2.319 [58.9]
Width, in [mm]	0.63 [16]
Height, in [mm]	0.63 [16]
Weight, lbs [g]	0.088 [39.92]

Connector 1

Type	TNC Male
Contact Material and Plating	Beryllium Copper, Gold

Click the following link (or enter part number in "SEARCH" on website) to obtain additional part information including price, inventory and certifications: [10dB DC Bias Attenuator, TNC Male to TNC Female Brass Tri-Metal Body Rated to 2 Watts from 100MHz to 3 GHz PE7449-10](#)



10dB DC Bias Attenuator, TNC Male to TNC Female Brass
Tri-Metal Body Rated to 2 Watts from 100MHz to 3 GHz

DC Bias Attenuators Technical Data Sheet

PE7449-10

Outer Conductor Material and Plating

Beryllium Copper, Gold

Connector 2

Type

TNC Female

Compliance Certifications (visit www.Pasternack.com for current document)

Plotted and Other Data

Notes:

Values at 25 °C, sea level
Attenuation accuracy is Typical

10dB DC Bias Attenuator, TNC Male to TNC Female Brass Tri-Metal Body Rated to 2 Watts from 100MHz to 3 GHz from Pasternack Enterprises has same day shipment for domestic and International orders. Our RF, microwave and fiber optic products maintain a 99% availability and are part of the broadest selection in the industry.

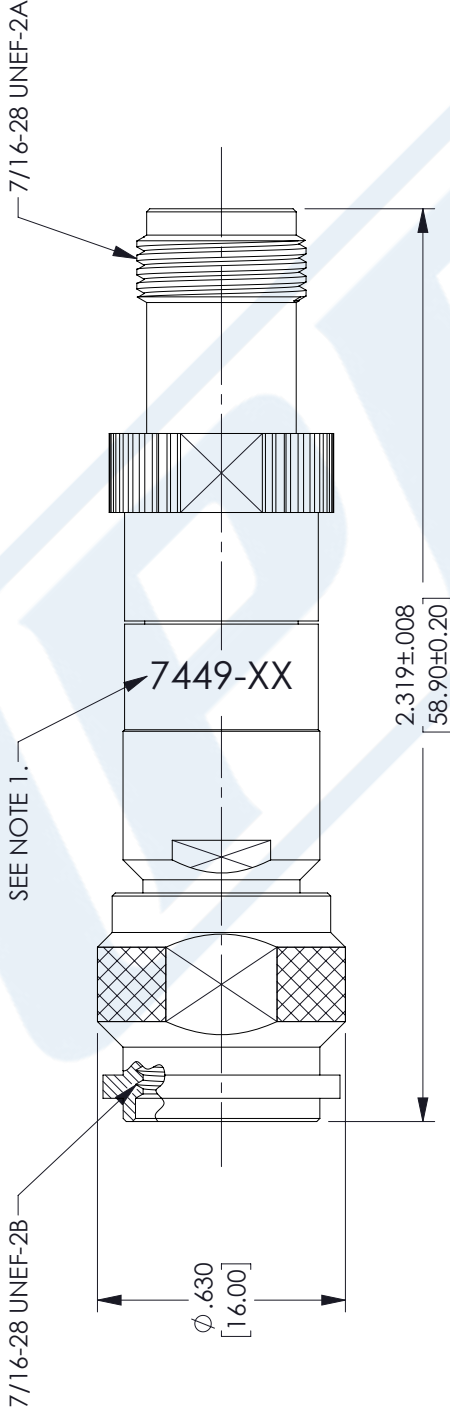
Click the following link (or enter part number in "SEARCH" on website) to obtain additional part information including price, inventory and certifications: [10dB DC Bias Attenuator, TNC Male to TNC Female Brass Tri-Metal Body Rated to 2 Watts from 100MHz to 3 GHz PE7449-10](https://www.pasternack.com/10db-dc-bias-tnc-male-tnc-female-2-watts-attenuator-pe7449-10-p.aspx)

URL: <https://www.pasternack.com/10db-dc-bias-tnc-male-tnc-female-2-watts-attenuator-pe7449-10-p.aspx>

PE7449-10 CAD Drawing

10dB DC Bias Attenuator, TNC Male to TNC Female Brass Tri-Metal Body Rated to 2 Watts from 100MHz to 3 GHz

REVISIONS			
REV.	DESCRIPTION	DATE	APPROVED
A	INITIAL RELEASE	08/08/2022	SPONG



UNLESS OTHERWISE SPECIFIED LEADING DIMENSIONS ARE IN INCHES DIMENSIONS IN [] ARE MILLIMETERS

TOLERANCES:

.X = ±.2	[5.08]	FRACTIONS	
.XX = ±.02	[.51]		±.132
.XXX = ±.005	[.13]	ANGLES ± 1°	

CABLE LENGTH (L) TOLERANCES:

L ≤ 12 [305]	= +1 [25] / -0
12 [305] < L ≤ 60 [1524]	= +2 [51] / -0
60 [1524] < L ≤ 120 [3048]	= +4 [102] / -0
120 [3048] < L ≤ 300 [7620]	= +6 [152] / -0
300 [7620] < L = +5%L / -0	

ALL DIMENSIONS SHOWN ARE FOR REFERENCE ONLY.

THIRD-ANGLE PROJECTION

THE INFORMATION AND DESIGN IN THIS DOCUMENT IS THE PROPERTY OF PASTERNAK CORPORATION. ALL RIGHTS RESERVED.

SHEET 1 OF 1

SCALE N/A

Pasternack Enterprises, Inc.
 P.O. Box 16759, Irvine, CA 92623.
 Phone: 1.949.261.1920 | 1.866.727.8376
 Fax: 1.949.261.7451
 Website: www.pasternack.com
 E-mail: sales@pasternack.com

SIZE	CAGE CODE	DRAWN BY	ITEM NO.
A	53919	AKRESOWSK	PE7449

NOTES:

- ITEM IS MARKED WITH ITEM NUMBER WHERE SHOWN. "-XX" DENOTES THE ATTENUATION VALUE, EXAMPLE: 7449-3 = 3dB, 7449-10 = 10dB, ETC.

THESE COMMODITIES, TECHNOLOGY OR SOFTWARE WERE EXPORTED FROM THE UNITED STATES IN ACCORDANCE WITH THE EXPORT ADMINISTRATION REGULATIONS. DIVERSION CONTRARY TO U.S. LAW PROHIBITED.