



10 dB Fixed Attenuator, N Male To N Female Black Anodized Aluminum Heatsink Body Rated To 50 Watts Up To 4 GHz

RF Fixed Attenuators Technical Data Sheet

PE7394-10

Features

- Bidirectional
- DC to 4 GHz Frequency Range
- Attenuation 10±0.75 dB
- Max Power 50 Watts (CW)
- VSWR < 1.35:1

Applications

- Instrumentation
- Precision Measurements
- Prototyping and Characterization
- Production Systems

Description

Pasternack carries a wide range of fixed attenuators with a broad selection of attenuation levels, frequency ranges, and power dissipation ranges. RF microwave attenuators (also known as RF pads) lower the amplitude of a signal (attenuate) a known amount and can be used in a wide variety of applications. These attenuator pads are used when a signal needs to be reduced to protect measurement equipment or other circuitry, to extend the range of power meters and amplifiers, and to impedance match circuits by reducing the VSWR seen by adjacent components. RF attenuators can prevent signal overload in amplifiers, receivers and detectors, adjusting the signal level to a range that is optimal.

Few RF components are as commonly used as fixed coaxial attenuators, and Pasternack carries one of the largest in-stock varieties and ships them same day. The 10 dB Fixed Attenuator PE7394-10 is rated to 50 Watts and operates from DC to 4 GHz. The versatile coaxial package uses type N male to type N female connectors and is also REACH and RoHS compliant. The Black Anodized Aluminum Heatsink body allows for efficient heat dissipation under high power usage conditions.

Electrical Specifications

Description	Minimum	Typical	Maximum	Units
Frequency Range	DC		4	GHz
Impedance		50		Ohms
Nominal Attenuation		10		dB
Attenuation Accuracy		0.75		dB
VSWR			1.35:1	
Passive Intermodulation			-100	dBc
Input Power, CW derated linearly from 50W @ 25°C to 5W @ 125°C			50	Watts
Input Power, Peak 5µs pulse, .5% duty cycle			5	kWatts

Click the following link (or enter part number in "SEARCH" on website) to obtain additional part information including price, inventory and certifications: [10 dB Fixed Attenuator, N Male To N Female Black Anodized Aluminum Heatsink Body Rated To 50 Watts Up To 4 GHz PE7394-10](#)



10 dB Fixed Attenuator, N Male To N Female Black Anodized Aluminum Heatsink Body Rated To 50 Watts Up To 4 GHz

RF Fixed Attenuators Technical Data Sheet

PE7394-10

Specifications by Frequency

Description	F1	F2	F3	F4	F5	Units
Range	DC to 4					GHz
VSWR, Max	1.35:1					
Attenuation Accuracy, Typ	0.75					dB

Electrical Specification Notes:

Passive intermodulation specified at 910MHz with two input signals at 935MHz and 960MHz with average carrier power levels of +43dBm each.

Mechanical Specifications

Size

Length	5.12 in [130.05 mm]
Width/Diameter	2.36 in [59.94 mm]
Height	2.36 in [59.94 mm]
Weight	1.337 lbs [606.45 g]
Body Material and Plating	Black Anodized Aluminum Heatsink

Configuration

Design	Fixed, Bidirectional
Package Style	Connectorized

Connectors

Description	Connector 1	Connector 2
Type	N Male	N Female
Contact Material and Plating	Brass, Gold	Beryllium Copper, Gold
Outer Conductor Material and Plating	Brass, Nickel	Brass, Nickel
Body Material and Plating	Brass, Nickel	Brass, Nickel

Environmental Specifications

Temperature

Operating Range	-55 to +125 deg C
-----------------	-------------------

Compliance Certifications (see [product page](#) for current document)

Plotted and Other Data

Notes:

Click the following link (or enter part number in "SEARCH" on website) to obtain additional part information including price, inventory and certifications: [10 dB Fixed Attenuator, N Male To N Female Black Anodized Aluminum Heatsink Body Rated To 50 Watts Up To 4 GHz PE7394-10](#)



10 dB Fixed Attenuator, N Male To N Female Black Anodized Aluminum Heatsink Body Rated To 50 Watts Up To 4 GHz

RF Fixed Attenuators Technical Data Sheet

PE7394-10

10 dB Fixed Attenuator, N Male To N Female Black Anodized Aluminum Heatsink Body Rated To 50 Watts Up To 4 GHz from Pasternack Enterprises has same day shipment for domestic and International orders. Our RF, microwave and millimeter wave products maintain a 99.4% availability and are part of the broadest selection in the industry.

Click the following link (or enter part number in "SEARCH" on website) to obtain additional part information including price, inventory and certifications: [10 dB Fixed Attenuator, N Male To N Female Black Anodized Aluminum Heatsink Body Rated To 50 Watts Up To 4 GHz PE7394-10](https://www.pasternack.com/10db-fixed-n-male-n-female-50-watts-attenuator-pe7394-10-p.aspx)

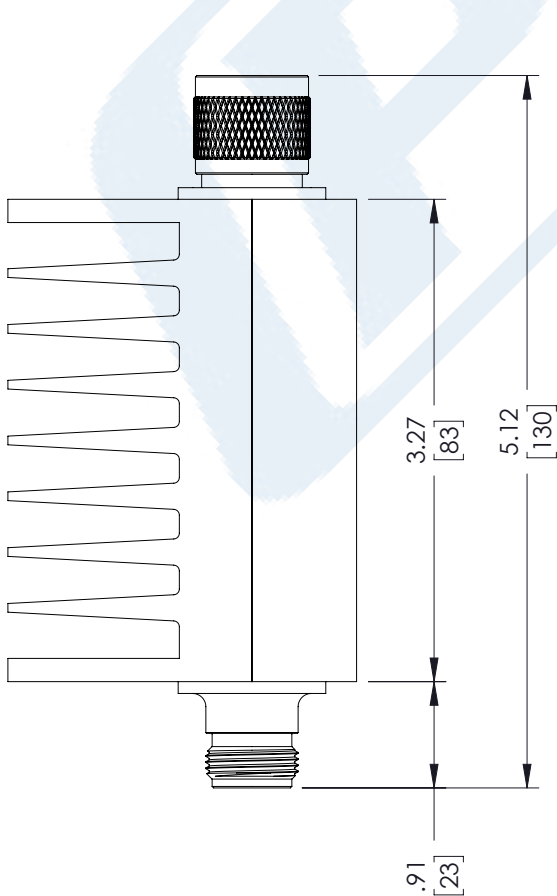
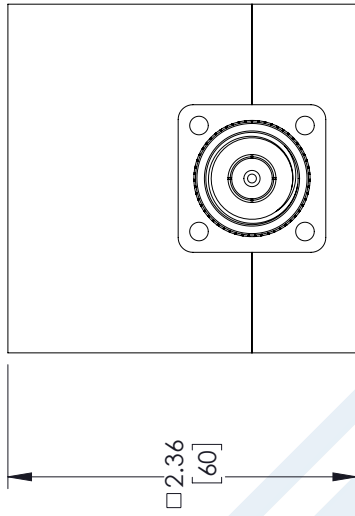
URL: <https://www.pasternack.com/10db-fixed-n-male-n-female-50-watts-attenuator-pe7394-10-p.aspx>

PE7394-10 CAD Drawing

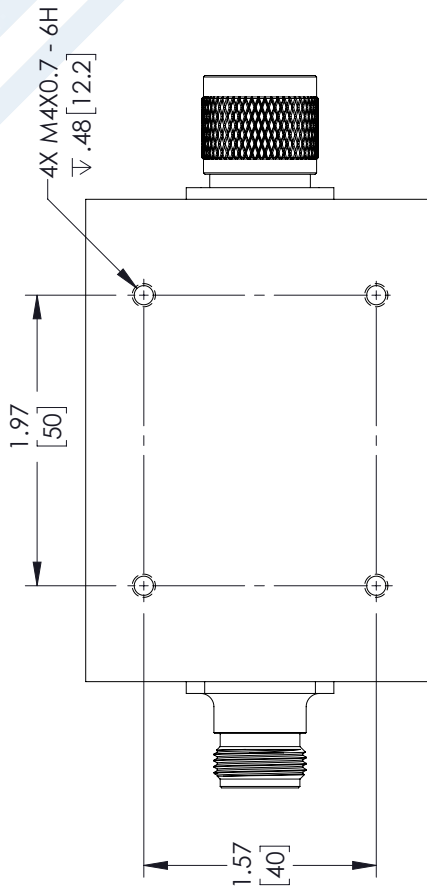
10 dB Fixed Attenuator, N Male To N Female Black Anodized Aluminum Heatsink Body Rated To 50 Watts Up To 4 GHz

REVISIONS

REV.	DESCRIPTION	DATE	APPROVED
B	PCR PE7394-2 20220715	08/08/2022	SPONG



ITEM NO.	ATTEN.
PE7394-2	2 dB
PE7394-3	3 dB
PE7394-6	6 dB
PE7394-10	10 dB
PE7394-30	30 dB
PE7394-40	40 dB



N FEMALE
N MALE

UNLESS OTHERWISE SPECIFIED
LEADING DIMENSIONS ARE INCHES
DIMENSIONS IN [] ARE MILLIMETERS

TOLERANCES:
 .X = ±.2 [5.08] FRACTIONS ±.1/32
 .XX = ±.02 [.51] ±.1/32
 .XXX = ±.005 [.13] ANGLES ± 1°

CABLE LENGTH (L) TOLERANCES:
 L ≤ 12 [305] = +1 [25] / -0
 12 [305] < L ≤ 60 [1524] = +2 [51] / -0
 60 [1524] < L ≤ 120 [3048] = +4 [102] / -0
 120 [3048] < L ≤ 300 [7620] = +6 [152] / -0
 300 [7620] < L = +5%L / -0

ALL DIMENSIONS SHOWN
ARE FOR REFERENCE ONLY.

PE PASTERNAK
an INFINITI[®] brand

Pasternack Enterprises, Inc.
P.O. Box 16759, Irvine, CA 92623.
Phone: 1.949.261.1920 | 1.866.727.8376
Fax: 1.949.261.7451
Website: www.pasternack.com
E-mail: sales@pasternack.com

ITEM NO. PE7394

SIZE A CAGE CODE 53919 DRAWN BY DZINN

THIRD-ANGLE PROJECTION

THE INFORMATION AND DESIGN IN THIS DOCUMENT IS THE PROPERTY OF PASTERNAK CORPORATION. ALL RIGHTS RESERVED.

SHEET 1 OF 1

SCALE N/A

REV B