



6 dB DC Bias Attenuator, 75 Ohm F Male to 75 Ohm F Female  
Brass Nickel Body Rated to 2 Watts from 500 MHz to 2 GHz

## TECHNICAL DATA SHEET

PE7064-6

### Electrical Specifications

Description	Minimum	Typical	Maximum	Units
Frequency Range	0.5		2	GHz
Impedance		75		Ohms
Attenuation Value		6		dB
Maximum Input Power			2	Watts
VSWR			1.45:1	
DC Bias Voltage			100	Volts
DC Bias Current			2	A
DC Bias Power			100	Watts
DC Bias Resistance			250	mOhms
Attenuation Accuracy			±2	dB

### Configuration

Design	DC Bias, Bidirectional Attenuator
Connector 1	F Male
Connector 2	F Female
Body Material and Plating	Brass, Nickel

### Mechanical Specifications

#### Temperature

Operating Range, deg C	-55 to +125
------------------------	-------------

#### Size

Length, in [mm]	1.63 [41.4]
Width, in [mm]	0.438 [11.13]
Weight, lbs [g]	0.035 [15.88]

#### Connector 1

Type	F Male
Coupling Nut Material and Plating	Brass, Nickel
Hex Size, in.	7/16
Torque, in-lbs [Nm]	15 [1.7]
Body Material and Plating	Brass, Nickel

#### Connector 2

Type	F Female
Body Material and Plating	Brass, Nickel

### Compliance Certifications (visit [www.Pasternack.com](http://www.Pasternack.com) for current document)

RoHS Compliant	Yes
REACH Compliant	01/12/2017

Click the following link (or enter part number in "SEARCH" on website) to obtain additional part information including price, inventory and certifications: [6 dB DC Bias Attenuator, 75 Ohm F Male to 75 Ohm F Female Brass Nickel Body Rated to 2 Watts from 500 MHz to 2 GHz PE7064-6](#)



6 dB DC Bias Attenuator, 75 Ohm F Male to 75 Ohm F Female  
Brass Nickel Body Rated to 2 Watts from 500 MHz to 2 GHz

TECHNICAL DATA SHEET

PE7064-6

**Plotted and Other Data**

Notes:

- Values at +25 °C, sea level

6 dB DC Bias Attenuator, 75 Ohm F Male to 75 Ohm F Female Brass Nickel Body Rated to 2 Watts from 500 MHz to 2 GHz from Pasternack Enterprises has same day shipment for domestic and International orders. Our RF, microwave and millimeter wave products maintain a 99.4% availability and are part of the broadest selection in the industry.

Click the following link (or enter part number in "SEARCH" on website) to obtain additional part information including price, inventory and certifications: [6 dB DC Bias Attenuator, 75 Ohm F Male to 75 Ohm F Female Brass Nickel Body Rated to 2 Watts from 500 MHz to 2 GHz PE7064-6](https://www.pasternack.com/6db-dc-bias-f-male-f-female-2-watts-attenuator-pe7064-6-p.aspx)

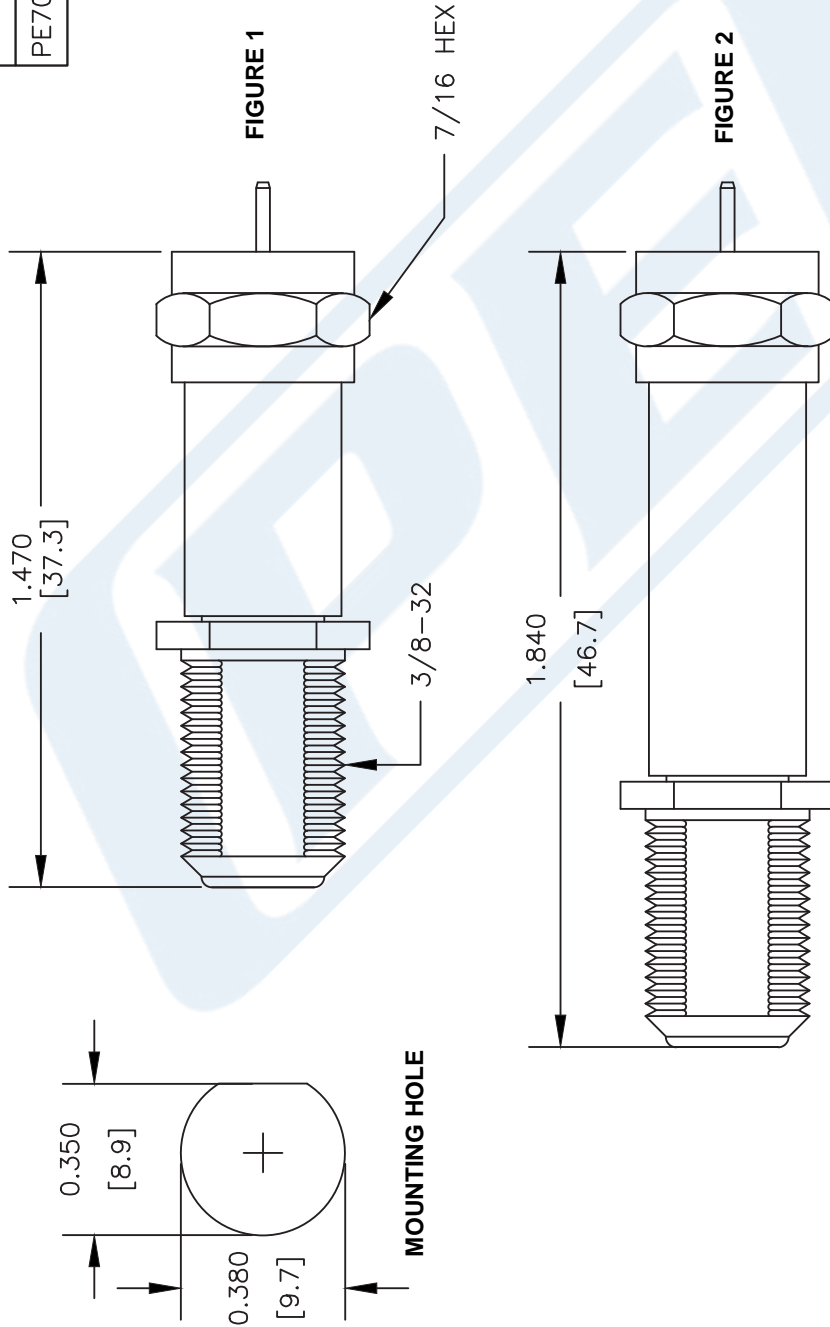
URL: <https://www.pasternack.com/6db-dc-bias-f-male-f-female-2-watts-attenuator-pe7064-6-p.aspx>

The information contained in this document is accurate to the best of our knowledge and representative of the part described herein. It may be necessary to make modifications to the part and/or the documentation of the part, in order to implement improvements. Pasternack reserves the right to make such changes as required. Unless otherwise stated, all specifications are nominal. Pasternack does not make any representation or warranty regarding the suitability of the part described herein for any particular purpose, and Pasternack does not assume any liability arising out of the use of any part or documentation.

# PE7064-6 CAD Drawing

6 dB DC Bias Attenuator, 75 Ohm F Male to 75 Ohm F Female Brass  
Nickel Body Rated to 2 Watts from 500 MHz to 2 GHz

P/N	ATTEN.	FIGURE
PE7064-6	6 dB	1
PE7064-10	10 dB	1
PE7064-3	20 dB	2



NOTES:  
 1. UNLESS OTHERWISE SPECIFIED ALL DIMENSIONS ARE NOMINAL.  
 2. ALL SPECIFICATIONS ARE SUBJECT TO CHANGE WITHOUT NOTICE AT ANY TIME.  
 3. DIMENSIONS ARE IN INCHES [mm].

DWG TITLE  
**PE7064**

FSCM NO. 53919

CAD FILE 030409-A

SCALE N/A

SIZE A

XXXX

**PE PASTERNAK®**  
 Pasternack Enterprises, Inc.  
 P.O. Box 16759 | Irvine | CA | 92623

Phone: (949) 261-1920 | Fax: (949) 261-7451

Website: www.pasternack.com | E-Mail: sales@pasternack.com