



6 dB DC Bias Attenuator, N Male to N Female Passivated
Stainless Steel Body Rated to 2 Watts from 500 MHz to 2 GHz

TECHNICAL DATA SHEET

PE7062-6

Electrical Specifications

Description	Minimum	Typical	Maximum	Units
Frequency Range	0.5		2	GHz
Impedance		50		Ohms
Attenuation Value		6		dB
Maximum Input Power			2	Watts
VSWR			1.35:1	
DC Bias Voltage			100	Volts
DC Bias Current			2	A
DC Bias Power			100	Watts
DC Bias Resistance			250	mOhms
Attenuation Accuracy			±2	dB

Configuration

Design	DC Bias, Bidirectional Attenuator
Connector 1	N Male
Connector 2	N Female
Body Material and Plating	Passivated Stainless Steel

Mechanical Specifications

Temperature

Operating Range, deg C	-55 to +125
------------------------	-------------

Size

Length, in [mm]	1.753 [44.53]
Width, in [mm]	0.8 [20.32]
Weight, lbs [g]	0.1345 [61.01]

Connector 1

Type	N Male
Connector Specification	MIL-STD-348
Contact Material and Plating	Beryllium Copper, Gold
Coupling Nut Material and Plating	Brass, Nickel
Body Material and Plating	Passivated Stainless Steel

Connector 2

Type	N Female
Connector Specification	MIL-STD-348
Contact Material and Plating	Beryllium Copper, Gold
Body Material and Plating	Passivated Stainless Steel

Click the following link (or enter part number in "SEARCH" on website) to obtain additional part information including price, inventory and certifications: [6 dB DC Bias Attenuator, N Male to N Female Passivated Stainless Steel Body Rated to 2 Watts from 500 MHz to 2 GHz PE7062-6](#)



6 dB DC Bias Attenuator, N Male to N Female Passivated
Stainless Steel Body Rated to 2 Watts from 500 MHz to 2 GHz

TECHNICAL DATA SHEET

PE7062-6

Compliance Certifications (visit www.Pasternack.com for current document)

RoHS Compliant	Yes
REACH Compliant	01/12/2017

Plotted and Other Data

Notes:

- Values at +25 °C, sea level

6 dB DC Bias Attenuator, N Male to N Female Passivated Stainless Steel Body Rated to 2 Watts from 500 MHz to 2 GHz from Pasternack Enterprises has same day shipment for domestic and International orders. Our RF, microwave and millimeter wave products maintain a 99.4% availability and are part of the broadest selection in the industry.

Click the following link (or enter part number in "SEARCH" on website) to obtain additional part information including price, inventory and certifications: [6 dB DC Bias Attenuator, N Male to N Female Passivated Stainless Steel Body Rated to 2 Watts from 500 MHz to 2 GHz PE7062-6](#)

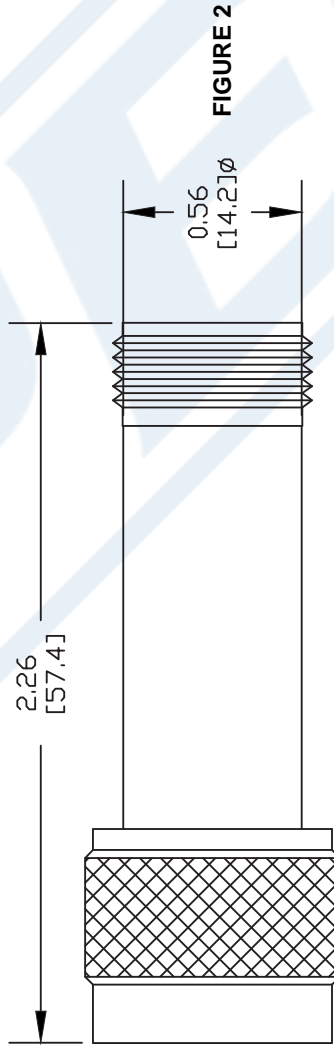
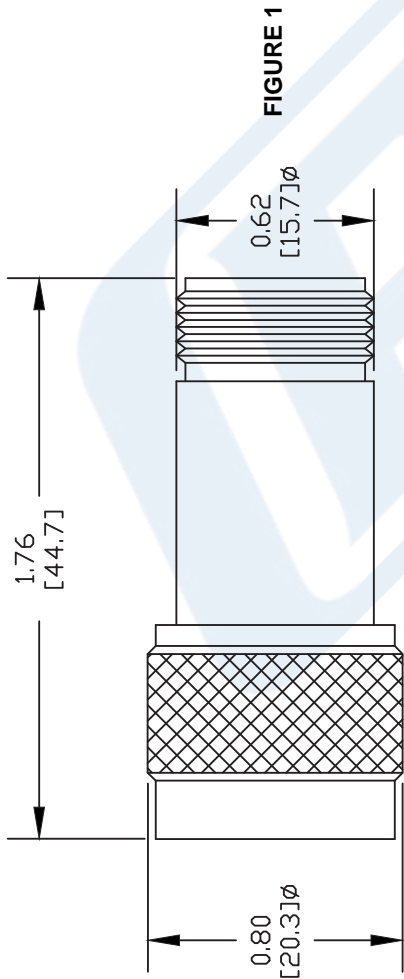
URL: <https://www.pasternack.com/6db-dc-bias-n-male-n-female-2-watts-attenuator-pe7062-6-p.aspx>

The information contained in this document is accurate to the best of our knowledge and representative of the part described herein. It may be necessary to make modifications to the part and/or the documentation of the part, in order to implement improvements. Pasternack reserves the right to make such changes as required. Unless otherwise stated, all specifications are nominal. Pasternack does not make any representation or warranty regarding the suitability of the part described herein for any particular purpose, and Pasternack does not assume any liability arising out of the use of any part or documentation.

PE7062-6 CAD Drawing

6 dB DC Bias Attenuator, N Male to N Female Passivated Stainless Steel Body Rated to 2 Watts from 500 MHz to 2 GHz

P/N	ATTEN.	FIGURE
PE7062-6	6 dB	1
PE7062-10	10 dB	1
PE7062-20	20 dB	2



NOTES:
 1. UNLESS OTHERWISE SPECIFIED ALL DIMENSIONS ARE NOMINAL.
 2. ALL SPECIFICATIONS ARE SUBJECT TO CHANGE WITHOUT NOTICE AT ANY TIME.
 3. DIMENSIONS ARE IN INCHES [mm].

DWG TITLE
PE7062

FSCM NO. 53919

CAD FILE 030.009

SCALE N/A

SIZE A

XXXX

PASTERNACK®
 Pasternack Enterprises, Inc.
 P.O. Box 16759 | Irvine | CA | 92623
 Phone: (949) 261-1920 | Fax: (949) 261-7451
 Website: www.pasternack.com | E-Mail: sales@pasternack.com