



30 dB Fixed Attenuator, TNC Male To TNC Female
Directional Aluminum Heatsink Black Anodized
Body Rated To 100 Watts Up To 1.5 GHz

TECHNICAL DATA SHEET

PE7056-30

30 dB Fixed Attenuator, TNC Male To TNC Female Directional Aluminum Heatsink Black Anodized Body Rated To 100 Watts Up To 1.5 GHz

Configuration

Design	Fixed, Directional Attenuator
Connector 1	TNC Male
Connector 2	TNC Female
Body Material and Plating	Aluminum Heatsink, Black Anodized

Electrical Specifications

Frequency Range, GHz	DC to 1.5
Impedance, Ohms	50
Attenuation Value, dB	30
Maximum Input Power, Watts	100
Maximum VSWR	1.15:1

Frequency 1

Range, GHz	DC to 1.5
Attenuation Accuracy, dB	± 0.75

Mechanical Specifications

Temperature

Operating Range, deg C	-65 to +125
------------------------	-------------

Size

Length, in [mm]	6.525 [165.74]
Width, in [mm]	3.46 [87.88]
Height, in [mm]	3.46 [87.88]
Weight, lbs [g]	1.09 [494.42]

Connector 1

Type	TNC Male
------	----------

Connector 2

Type	TNC Female
------	------------

Compliance Certifications (visit www.Pasternack.com for current document)

RoHS Compliant	Yes
----------------	-----

Click the following link (or enter part number in "SEARCH" on website) to obtain additional part information including price, inventory and certifications: [30 dB Fixed Attenuator, TNC Male To TNC Female Directional Aluminum Heatsink Black Anodized Body Rated To 100 Watts Up To 1.5 GHz PE7056-30](#)

The information contained in this document is accurate to the best of our knowledge and representative of the part described herein. It may be necessary to make modifications to the part and/or the documentation of the part, in order to implement improvements. Pasternack reserves the right to make such changes as required. Unless otherwise stated, all specifications are nominal.



30 dB Fixed Attenuator, TNC Male To TNC Female
Directional Aluminum Heatsink Black Anodized
Body Rated To 100 Watts Up To 1.5 GHz

TECHNICAL DATA SHEET

PE7056-30

Plotted and Other Data

Notes:

Values at 25 °C, sea level

30 dB Fixed Attenuator, TNC Male To TNC Female Directional Aluminum Heatsink Black Anodized Body Rated To 100 Watts Up To 1.5 GHz from Pasternack Enterprises has same day shipment for domestic and International orders. Our RF, microwave and fiber optic products maintain a 99% availability and are part of the broadest selection in the industry.

Click the following link (or enter part number in "SEARCH" on website) to obtain additional part information including price, inventory and certifications: [30 dB Fixed Attenuator, TNC Male To TNC Female Directional Aluminum Heatsink Black Anodized Body Rated To 100 Watts Up To 1.5 GHz PE7056-30](http://www.pasternack.com/30db-fixed-tnc-male-tnc-female-100-watts-attenuator-pe7056-30-p.aspx)

URL: <http://www.pasternack.com/30db-fixed-tnc-male-tnc-female-100-watts-attenuator-pe7056-30-p.aspx>

The information contained in this document is accurate to the best of our knowledge and representative of the part described herein. It may be necessary to make modifications to the part and/or the documentation of the part, in order to implement improvements. Pasternack reserves the right to make such changes as required. Unless otherwise stated, all specifications are nominal.

PE7056-30 CAD Drawing

30 dB Fixed Attenuator, TNC Male To TNC Female Directional Aluminum Heatsink Black Anodized Body Rated To 100 Watts Up To 1.5 GHz

P/N	ATTEN.	FIGURE
PE7056-6	6 dB	1
PE7056-10	10 dB	1
PE7056-20	20 dB	1
PE7056-30	30 dB	1
PE7056-40	40 dB	1

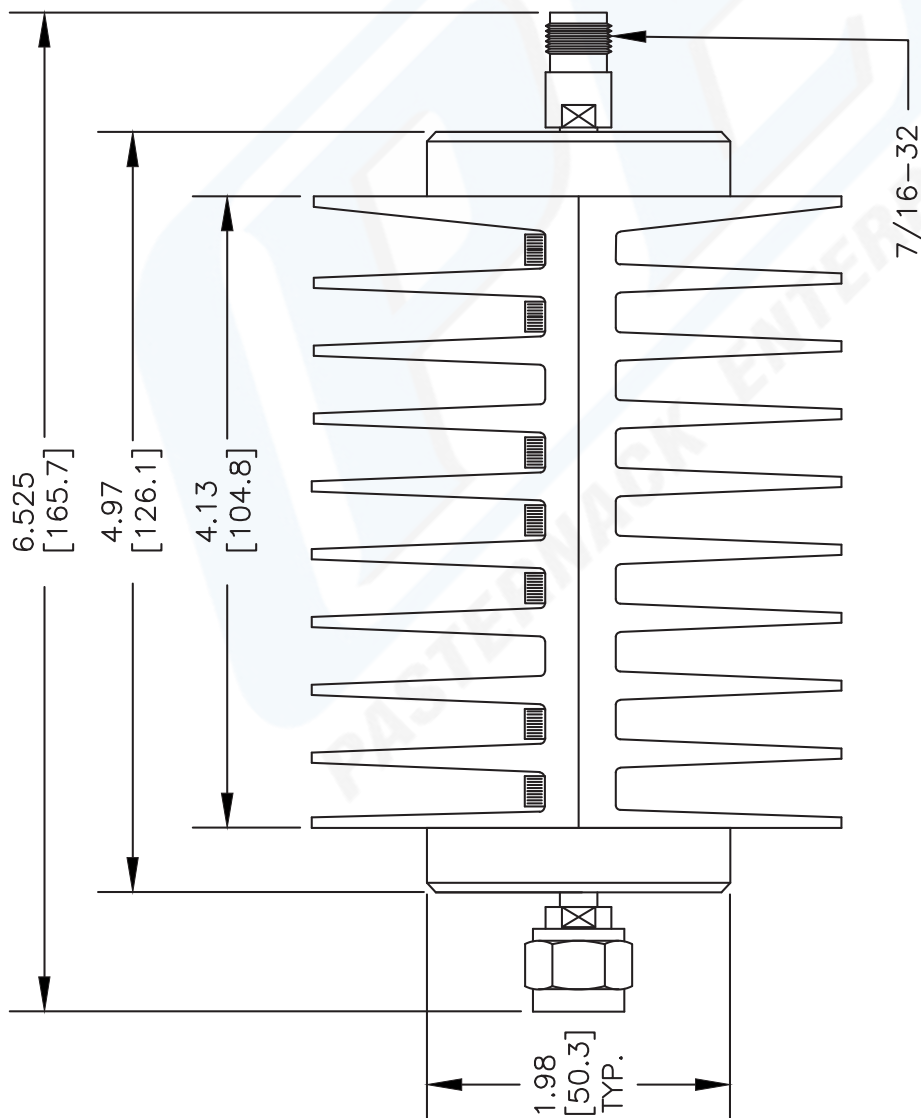
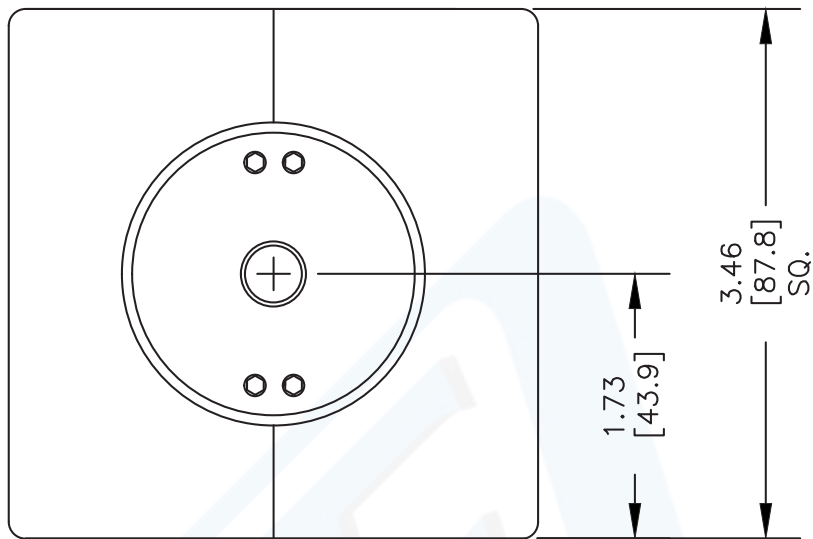


FIGURE 1



DWG TITLE

PE7056

NOTES:
 1. UNLESS OTHERWISE SPECIFIED ALL DIMENSIONS ARE NOMINAL.
 2. ALL SPECIFICATIONS ARE SUBJECT TO CHANGE WITHOUT NOTICE AT ANY TIME.
 3. DIMENSIONS ARE IN INCHES [mm].

PE PASTERNAK®
 Pasternack Enterprises, Inc.
 P.O. Box 16759 | Irvine | CA | 92623

Phone: (949) 261-1920 | Fax: (949) 261-7451

Website: www.pasternack.com | E-Mail: sales@pasternack.com

FSCM NO. 53919

CAD FILE 080702

SCALE N/A

SIZE A

XXXX