



0 to 65 dB Push Button Step Attenuator, BNC Female to BNC Female with 1 dB Step Rated to 1 Watt Up to 750 MHz

## RF Step Attenuators Technical Data Sheet

PE7008-1

### Electrical Specifications

Description	Minimum	Typical	Maximum	Units
Frequency Range	DC		750	MHz
Impedance		50		Ohms
Insertion Loss			1.5	dB
Attenuation Value		0 to 65		dB
Step Size		1		dB
Step Type		Push Button		
Input Power			1	Watt
Input Power, Peak			100	Watts
VSWR			1.4:1	

### Specifications by Frequency

Description	F1	F2	F3	F4	F5	Units
Range	DC to 0.1	0.1 to 0.3	0.3 to 0.5	0.5 to 0.75		GHz
Insertion Loss			0.7	1		
VSWR	1.1:1	1.25:1	1.25:1	1.4:1		
Attenuation Accuracy	0.3	0.5	0.8	1.3		dB

### Mechanical Specifications

#### Size

Length	5.35 in [135.89 mm]
Width	1.85 in [46.99 mm]
Height	1 in [25.4 mm]
Weight	0.6885 lbs [312.3 g]

Body Material and Plating: Brass, Nickel

#### Connectors

Description	Connector 1	Connector 2
Type	BNC Female	BNC Female

Click the following link (or enter part number in "SEARCH" on website) to obtain additional part information including price, inventory and certifications: [0 to 65 dB Push Button Step Attenuator, BNC Female to BNC Female with 1 dB Step Rated to 1 Watt Up to 750 MHz PE7008-1](#)



0 to 65 dB Push Button Step Attenuator, BNC Female to BNC Female with 1 dB Step Rated to 1 Watt Up to 750 MHz

## RF Step Attenuators Technical Data Sheet

PE7008-1

### Environmental Specifications

#### Temperature

Operating Range

-40 to 70 deg C

**Compliance Certifications** (see [product page](#) for current document)

### Plotted and Other Data

Notes:

0 to 65 dB Push Button Step Attenuator, BNC Female to BNC Female with 1 dB Step Rated to 1 Watt Up to 750 MHz from Pasternack Enterprises has same day shipment for domestic and International orders. Our RF, microwave and millimeter wave products maintain a 99.4% availability and are part of the broadest selection in the industry.

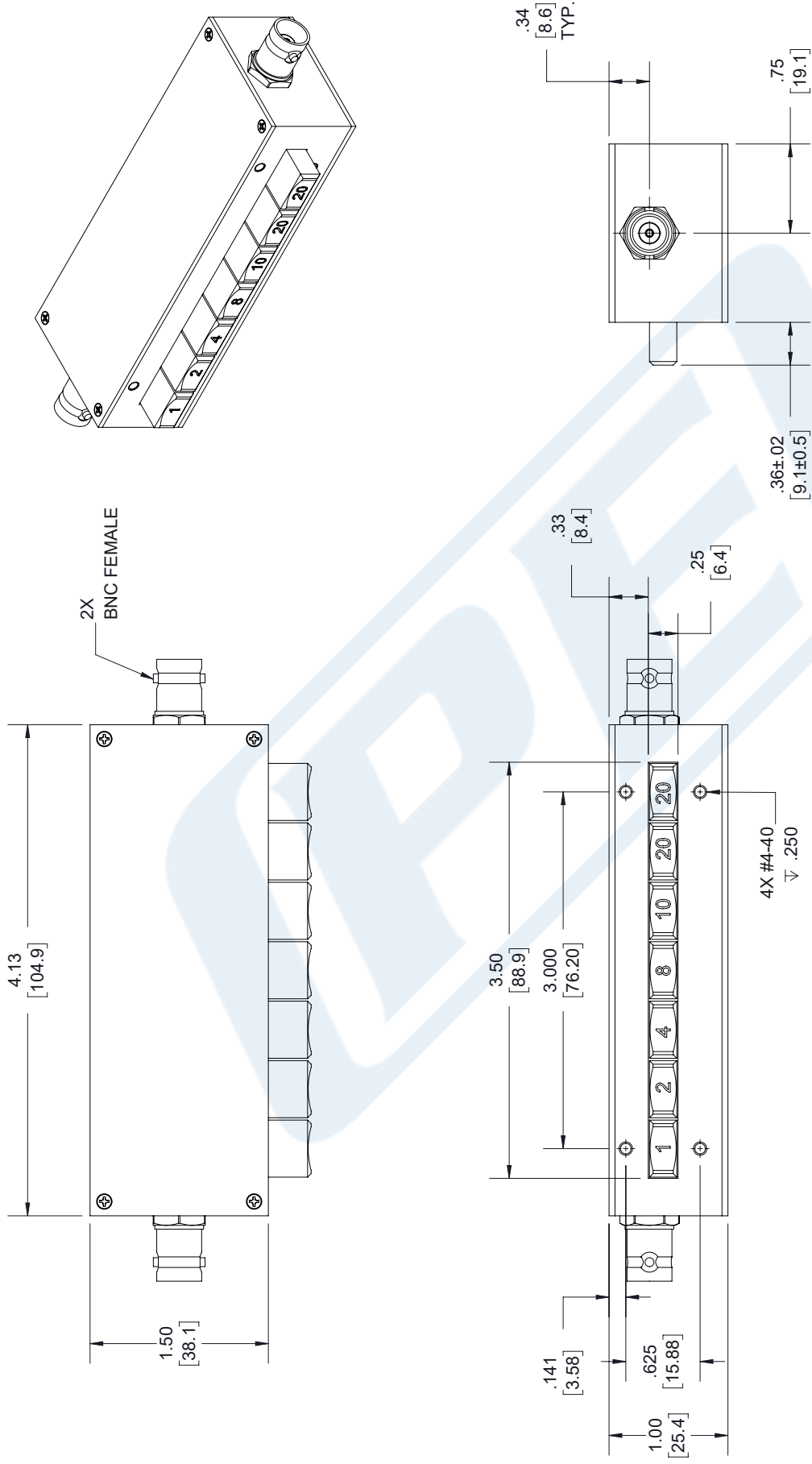
Click the following link (or enter part number in "SEARCH" on website) to obtain additional part information including price, inventory and certifications: [0 to 65 dB Push Button Step Attenuator, BNC Female to BNC Female with 1 dB Step Rated to 1 Watt Up to 750 MHz PE7008-1](#)

URL: <https://www.pasternack.com/65db-step-bnc-female-bnc-female-1-watt-attenuator-pe7008-1-p.aspx>

The information contained in this document is accurate to the best of our knowledge and representative of the part described herein. It may be necessary to make modifications to the part and/or the documentation of the part, in order to implement improvements. Pasternack reserves the right to make such changes as required. Unless otherwise stated, all specifications are nominal. Pasternack does not make any representation or warranty regarding the suitability of the part described herein for any particular purpose, and Pasternack does not assume any liability arising out of the use of any part or documentation.

# PE7008-1 CAD Drawing

0 to 65 dB Push Button Step Attenuator, BNC Female to BNC Female with 1 dB Step Rated to 1 Watt Up to 750 MHz



STANDARD TOLERANCES	
.X	±0.2
.XX	±0.01
.XXX	±0.005

\*STANDARD TOLERANCES APPLY ONLY TO DIMENSIONS IN INCHES

**PE PASTERNAK®**  
 THE ENGINEER'S RF SOURCE  
 Pasternack Enterprises, Inc.  
 P.O. Box 16759 | Irvine | CA | 92623  
 Phone: (949) 261-1920 | Fax: (949) 261-7451  
 Website: www.pasternack.com | E-Mail: sales@pasternack.com

DWG TITLE	PE7008-1
CAGE CODE	53919

NOTES:	1. UNLESS OTHERWISE SPECIFIED ALL DIMENSIONS ARE NOMINAL.
	2. ALL SPECIFICATIONS ARE SUBJECT TO CHANGE WITHOUT NOTICE AT ANY TIME.
	3. DIMENSIONS ARE IN INCHES [mm].
CAD FILE	12/10/18
SCALE	N/A
SIZE	A
	7361