

**10 dB Fixed Attenuator SMA Female To SMA Female  
Directional Up To 6 GHz Rated To 100 Watts With  
Black Aluminum Heatsink Body**

**Electrical Specifications\***

Description	Min	Typ	Max	Units
Frequency Range	DC		6	GHz
Impedance		50		Ohms
Attenuation Value		10		dB
Input Power			100	Watts
VSWR			1.45:1	

\* Values at 25°C, sea level

**Specifications by Frequency**

Description	F1	F2	F3	F4	F5	Units
Range	DC to 2	2 to 4	4 to 6			GHz
VSWR	1.2:1	1.35:1	1.45:1			
Atten. Accuracy	± 0.75	± 1	± 1.25			dB

**Mechanical Specifications**

**Temperature**

Operating Range -55 to +125 deg C

**Size**

Length 4.9 in [124.46 mm]

Width 3.8 in [96.52 mm]

Height 2.7 in [68.58 mm]

Weight 3 lbs [1.36 Kg]

**Connectors**

Description	Connector 1	Connector 2
Type	SMA Female	SMA Female
Contact Material & Plating	Beryllium Copper, Gold	Beryllium Copper, Gold
Body Material & Plating	Stainless Steel, Passivated	Stainless Steel, Passivated

**Compliance Certifications** (visit [www.FairviewMicrowave.com](http://www.FairviewMicrowave.com) for current document)

**Plotted and Other Data**

Notes:

- Values at 25 °C, sea level



**Features:**

- Design: Fixed, Directional Attenuator
- Connector 1: SMA Female
- Connector 2: SMA Female
- Body Material and Plating: Black Anodized Aluminum Heatsink

Fairview Microwave  
1130 Junction Dr. #100  
Allen, TX 75013  
Tel: 1-800-715-4396 / (972) 649-6678  
Fax: (972) 649-6689  
[www.fairviewmicrowave.com](http://www.fairviewmicrowave.com)  
[sales@fairviewmicrowave.com](mailto:sales@fairviewmicrowave.com)

10 dB Fixed Attenuator SMA Female To SMA Female Directional Up To 6 GHz Rated To 100 Watts With Black Aluminum Heatsink Body from Fairview Microwave is in-stock and available to ship same-day. All of our RF/microwave products are available off-the-shelf from our ISO 9001:2008 certified facilities in Allen, Texas. Fairview Microwave is RF on-demand.

For additional information on this product, please click the following link: [10 dB Fixed Attenuator SMA Female To SMA Female Directional Up To 6 GHz Rated To 100 Watts With Black Aluminum Heatsink Body SA6SFSF100W-10](#)

URL: <http://www.fairviewmicrowave.com/10db-fixed-attenuator-sma-female-sma-female-100-watts-sa6sfsf100w-10-p.aspx>

The information contained in this document is accurate to the best of our knowledge and representative of the part described herein. It may be necessary to make modifications to the part and/or the documentation of the part, in order to implement improvements. Fairview Microwave reserves the right to make such changes as required. Unless otherwise stated, all specifications are nominal. Fairview Microwave does not make any representation or warranty regarding the suitability of the part described herein for any particular purpose, and Fairview Microwave does not assume any liability arising out of the use of any part or documentation.



- yy =	Attenuation
- 03	3 dB
- 06	6 dB
- 10	10 dB
- 20	20 dB
- 30	30 dB
- 40	40 dB
- 50	50 dB
- 60	60 dB

Part Number Configuration		
Part Number	Input Connector	Output Connector
SA6DFDM100W	7/16 Female	7/16 Male
SA6DMDF100W	7/16 Male	7/16 Female
SA6DFDF100W	7/16 Female	7/16 Female
SA6NFNM100W	N Female	N Male
SA6NMNF100W	N Male	N Female
SA6NFNF100W	N Female	N Female
SA6SFSM100W	SMA Female	SMA Male
SA6SMSF100W	SMA Male	SMA Female
SA6SFSF100W	SMA Female	SMA Female
SA6FTFM100W	TNC Female	TNC Male
SA6FTMF100W	TNC Male	TNC Female
SA6FTTF100W	TNC Female	TNC Female

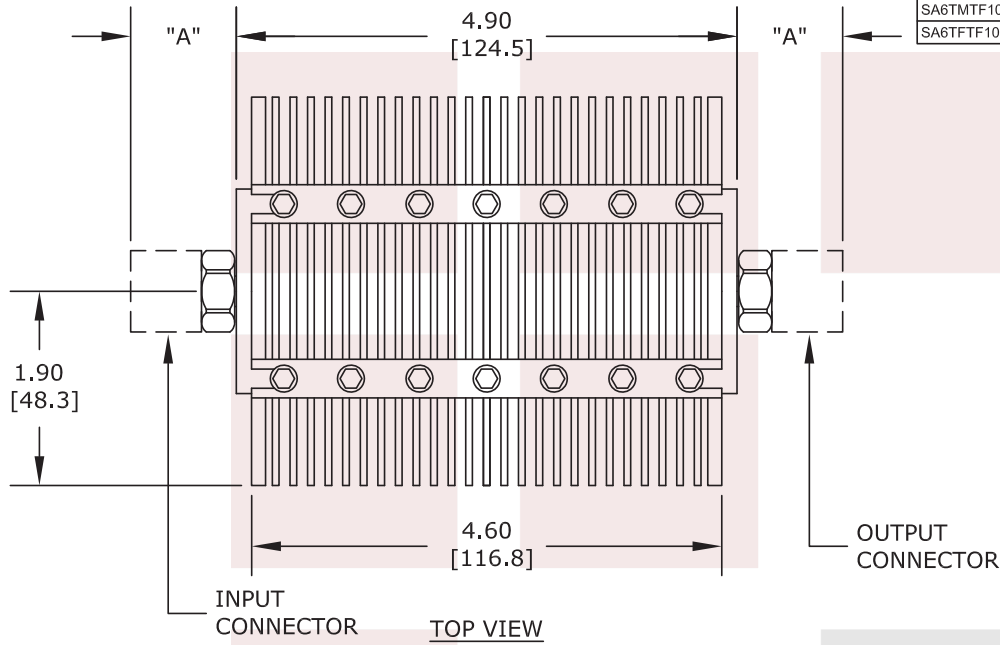
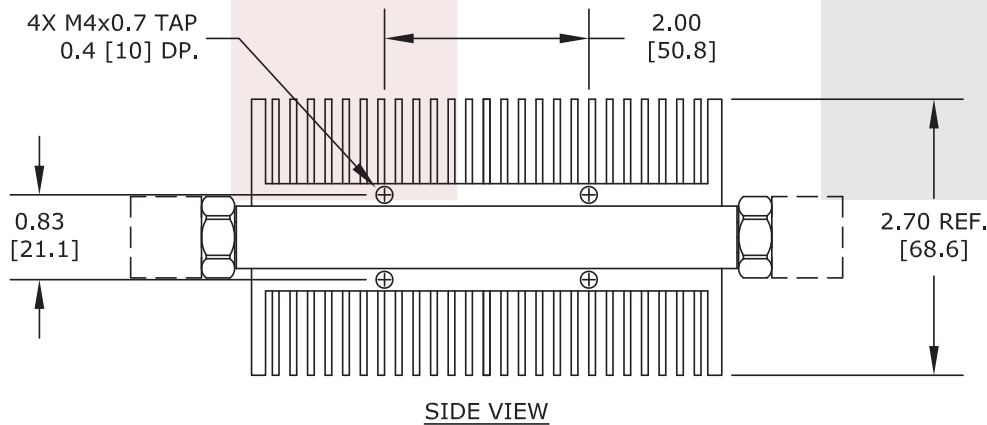


Table of Information	
Connector Type	DIM "A" (REF.)
SMA Male	0.7800
SMA Female	0.6300
TNC Male	0.9600
TNC Female	1.0600
N Female	1.0900
N Male	1.1300
7/16 Male	1.2800
7/16 Female	1.3200



<b>FAIRVIEW MICROWAVE INC.</b> ALLEN, TX 75013 WWW.FAIRVIEWMICROWAVE.COM		NOTES: 1. UNLESS OTHERWISE SPECIFIED ALL DIMENSIONS ARE NOMINAL. 2. ALL SPECIFICATIONS ARE SUBJECT TO CHANGE WITHOUT NOTICE AT ANY TIME. 3. DIMENSIONS ARE IN INCHES [mm].			
TITLE 10 dB Fixed Attenuator SMA Female To SMA Female Directional Up To 6 GHz Rated To 100 Watts With Black Aluminum Heatsink Body		DWG NO SA6XXXX100w-yy		CAGE CODE 3FKR5	
CAD FILE	062714	SHEET	SCALE	N/A	SIZE A 2233