

### 3 dB Fixed Attenuator 2.92mm Male (Plug) to 2.92mm Female (Jack) Up to 40 GHz Rated to 10 Watts, Black Aluminum Heatsink Body, 1.4 VSWR

Fairview Microwave carries a broad selection of fixed attenuators with a wide range of attenuation levels, frequency ranges, and power dissipation ranges. Also known as RF pads, RF microwave attenuators lower the amplitude of a signal (or attenuate) a known amount. These attenuator pads can be used in a wide variety of applications including reducing a signal level to protect measurement equipment or other circuitry, extending the range of power meters and amplifiers, and impedance matching circuits by reducing the VSWR seen by adjacent components. RF attenuators can prevent signal overload in amplifiers, receivers and detectors, adjusting the signal level to a range that is optimal.

Few RF components are as commonly used as fixed coaxial attenuators, and Fairview Microwave carries one of the largest in-stock varieties and ships them same day. The FMAT4009-03 is a 3 dB Fixed Attenuator that operates from DC to 40 GHz and is rated to 10 Watts. The versatile coaxial package uses 2.92mm male to 2.92mm female connectors and is also RoHS compliant. The Black Anodized Aluminum Heatsink body allows for efficient heat dissipation under high power usage conditions.

#### Electrical Specifications

Description	Min	Typ	Max	Units
Frequency Range	DC		40	GHz
Impedance		50		Ohms
Nominal Attenuation		3		dB
Attenuation Accuracy		1.5		dB
VSWR			1.4:1	
Input Power, CW 10W average to 25°C ambient temperature, derated linearly to 0.5W @ 125°C			10	Watts
Input Power, Peak 5µs pulse, 1% duty cycle			200	Watts

#### Mechanical Specifications

Size	
Length	0 in [0 mm]
Width/Diameter	0 in 0 mm
Height	0 in 0 mm
Weight	0.50574 lbs [229.4 g]
Body Material and Plating	Black Anodized Aluminum Heatsink

#### Configuration

Design	Fixed, Unidirectional
--------	-----------------------

#### Connectors

Description	Connector 1	Connector 2
Type	2.92mm Male	2.92mm Female
Body Material & Plating	Passivated Stainless Steel	Passivated Stainless Steel



#### Features:

- DC to 40 GHz Frequency Range
- Attenuation accuracy +/-1.5dB typical
- Max Power 10 Watts (CW)
- VSWR < 1.4:1

#### Applications:

- Instrumentation
- Precision measurements
- Prototyping and characterization
- Production systems

Fairview Microwave  
 301 Leora Ln., Suite 100  
 Lewisville, TX 75056  
 Tel: 1-800-715-4396 / (972) 649-6678  
 Fax: (972) 649-6689  
[www.fairviewmicrowave.com](http://www.fairviewmicrowave.com)  
[sales@fairviewmicrowave.com](mailto:sales@fairviewmicrowave.com)

## Environmental Specifications

### Temperature

Operating Range -55 to +100 deg C

**Compliance Certifications** (see [product page](#) for current document)

## Plotted and Other Data

Notes:

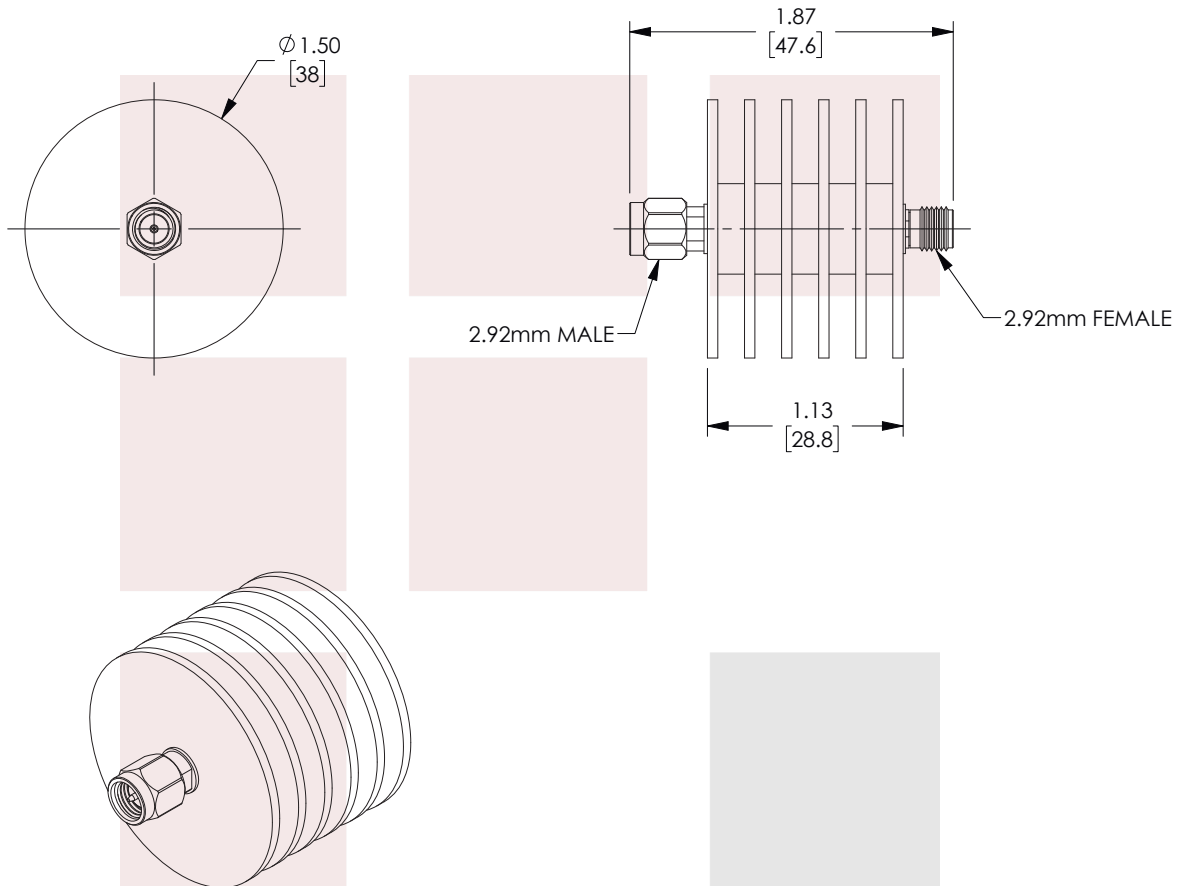
3 dB Fixed Attenuator 2.92mm Male (Plug) to 2.92mm Female (Jack) Up to 40 GHz Rated to 10 Watts, Black Aluminum Heatsink Body, 1.4 VSWR from Fairview Microwave is in-stock and available to ship same-day. All of our RF/microwave products are available off-the-shelf from our ISO 9001:2008 certified facilities in Lewisville, Texas. Fairview Microwave is RF on-demand.

For additional information on this product, please click the following link: [3 dB Fixed Attenuator 2.92mm Male \(Plug\) to 2.92mm Female \(Jack\) Up to 40 GHz Rated to 10 Watts, Black Aluminum Heatsink Body, 1.4 VSWR FMAT4009-03](#)

URL: <https://www.fairviewmicrowave.com/3db-fixed-attenuator-2.92mm-male-2.92mm-female-10-watts-fmat4009-03-p.aspx>

The information contained in this document is accurate to the best of our knowledge and representative of the part described herein. It may be necessary to make modifications to the part and/or the documentation of the part, in order to implement improvements. Fairview Microwave reserves the right to make such changes as required. Unless otherwise stated, all specifications are nominal. Fairview Microwave does not make any representation or warranty regarding the suitability of the part described herein for any particular purpose, and Fairview Microwave does not assume any liability arising out of the use of any part or documentation.

REVISIONS			
REV.	DESCRIPTION	DATE	APPROVED
A	INITIAL RELEASE	10/12/2021	SPONG



THESE COMMODITIES, TECHNOLOGY OR SOFTWARE WERE EXPORTED FROM THE UNITED STATES IN ACCORDANCE WITH THE EXPORT ADMINISTRATION REGULATIONS. DIVERSION CONTRARY TO U.S. LAW PROHIBITED.

<p><b>Fairview Microwave</b> an INFINIT<sup>®</sup> brand</p>	<p>UNLESS OTHERWISE SPECIFIED LEADING DIMENSIONS ARE INCHES DIMENSIONS IN [ ] ARE MILLIMETERS</p>		<p>THIRD-ANGLE PROJECTION</p>		
	<p>TOLERANCES:</p> <p>.X = ±.2 [5.08] FRACTIONS ± 1/32</p> <p>.XX = ±.02 [.51] ANGLES ± 1°</p> <p>.XXX = ±.005 [.13]</p>		<p>CABLE LENGTH (L) TOLERANCES:</p> <p>L ≤ 12 [305] = +1 [25] / -0</p> <p>12 [305] &lt; L ≤ 60 [1524] = +2 [51] / -0</p> <p>60 [1524] &lt; L ≤ 120 [3048] = +4 [102] / -0</p> <p>120 [3048] &lt; L ≤ 300 [7620] = +6 [152] / -0</p> <p>300 [7620] &lt; L = +5%L / -0</p>		<p>THE INFORMATION AND DESIGN IN THIS DOCUMENT IS THE PROPERTY OF FAIRVIEW MICROWAVE CORPORATION. ALL RIGHTS RESERVED.</p>
<p>TITLE</p> <p>3 dB Fixed Attenuator 2.92mm Male (Plug) to 2.92mm Female (Jack) Up to 40 GHz Rated to 10 Watts, Black Aluminum Heatsink Body, 1.4 VSWR</p>			<p>SHEET 1 OF 1</p>		
<p>ALL DIMENSIONS SHOWN ARE FOR REFERENCE ONLY.</p>			<p>SCALE N/A</p>		
SIZE A	CAGE CODE 3FKR5	DRAWN BY DMAY	ITEM NO. FMAT4009-03	REV A	

T-Rev.D