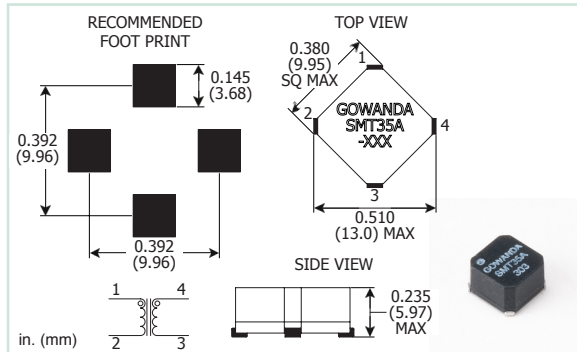


SMT35A

SMT35ALF*

High Efficiency Dual Wound Toroid



PART NUMBER	PARALLEL RATINGS				SERIES RATINGS			
	L μ H @ 100 kHz	DCR Ω NOM	I SAT A DC	CURRENT RATING A DC	L μ H @ 100 kHz	DCR Ω NOM	I SAT A DC	CURRENT RATING A DC
FERRITE CORE								
SMT35A-220	0.22	0.0028	18.80	10.90	0.88	0.0113	9.38	5.47
SMT35A-820	0.82	0.0039	12.50	9.40	3.28	0.0155	6.25	4.68
SMT35A-121	1.2	0.0050	9.38	8.22	4.80	0.0200	4.69	4.11
SMT35A-181	1.8	0.0077	7.50	6.74	7.20	0.0298	3.75	3.37
SMT35A-501	5.0	0.0180	4.69	4.34	20	0.0717	2.34	2.17
SMT35A-801	8.0	0.0270	3.75	3.50	32	0.1110	1.88	1.75
SMT35A-102	10	0.0400	3.13	2.89	40	0.1610	1.56	1.45
SMT35A-152	15	0.0460	2.68	2.69	60	0.1870	1.34	1.35
SMT35A-202	20	0.0670	2.34	2.24	80	0.2690	1.17	1.12
SMT35A-252	25	0.0950	2.08	1.89	100	0.3800	1.04	0.94
SMT35A-332	33	0.1380	1.79	1.56	132	0.5560	0.89	0.78
SMT35A-502	50	0.2060	1.50	1.28	200	0.8230	0.75	0.64
SMT35A-682	68	0.2930	1.29	1.07	272	1.17	0.65	0.54
SMT35A-103	100	0.5960	1.04	0.75	400	2.38	0.52	0.38
SMT35A-153	150	0.7220	0.85	0.68	600	2.89	0.43	0.34
SMT35A-203	200	0.8140	0.75	0.64	800	3.26	0.38	0.32
SMT35A-303	300	1.0060	0.60	0.58	1200	4.03	0.30	0.29

NOTES:

- **Operating Temperature Range:** -55°C to +125°C
 - **Current Rating** is based on a 40°C temperature rise at an ambient temperature of 85°C
 - **Saturation Current** is the approximate value that will reduce the initial inductance by 30%
 - **Weight Max:** 1.25 grams
 - **Marking:** GOWANDA; SMT35A; -XXX (dash #)
GOWANDA
SMT35A
-220
 - When ordering, specify **termination:**
SMT35A-220LF
- Tolerance:** All part numbers provide 25% tolerance on inductance
**Optional tolerances are available; contact factory*
- Termination:** LF = RoHS compliant tin-silver copper over copper
- Custom designs are available to meet your specific requirements; please contact factory

TAPE AND REEL SPECS:

Pcs./Reel maximum:	800
Pitch between parts:	12 mm
Tape width:	24 mm
Reel diameter:	13 in.