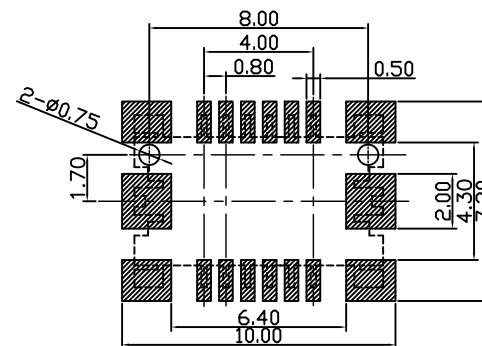
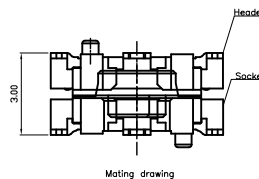
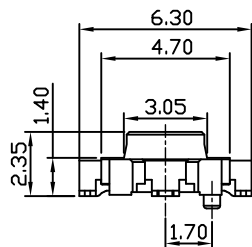
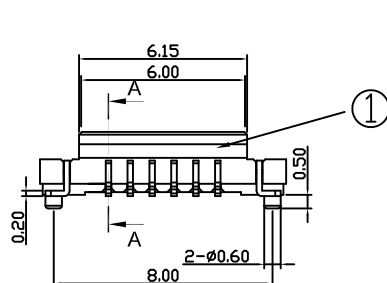
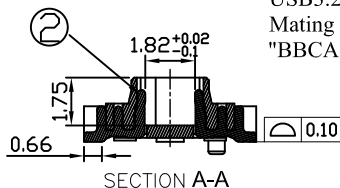
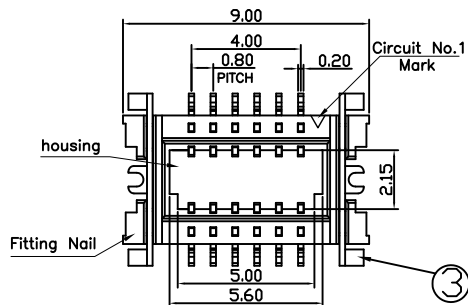
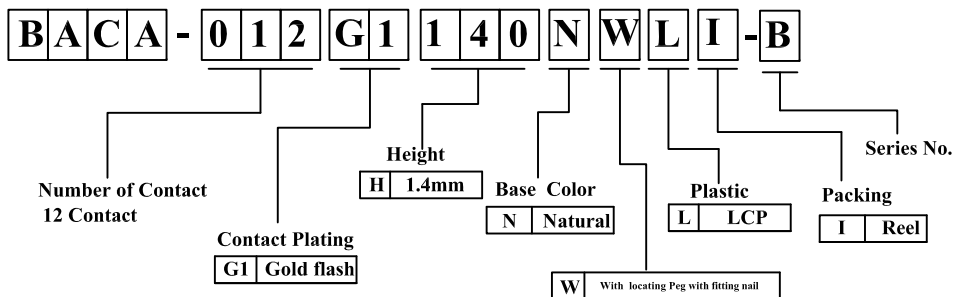


REV.	DESCRIPTION	DATE
A	New Drawing	2014/08/06

Compliance with:
 PCIe4.0(16GTS),
 USB4 Gen3(40Gbps),
 USB3.2 Gen2(10Gbps),
 USB3.2 Gen2 Type C(10Gbps),
 Mating with:
 "BBCA-012G1155NWLI-B"



▨ : STAND OFF AREA
 TOLERANCE: ±0.05
 RECOMMENDED PCB LAYOUT
 (TOP VIEW)



Temperature Rating : -40°C ~ +105°C .
 Dielectric Withstanding Voltage : 300 V AC/Min

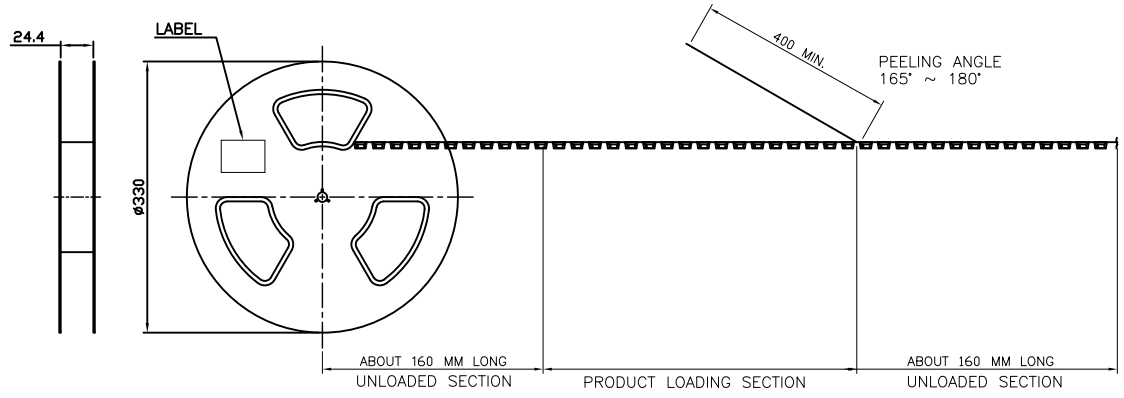
RoHS compliant

Superior Tech Co., Ltd.

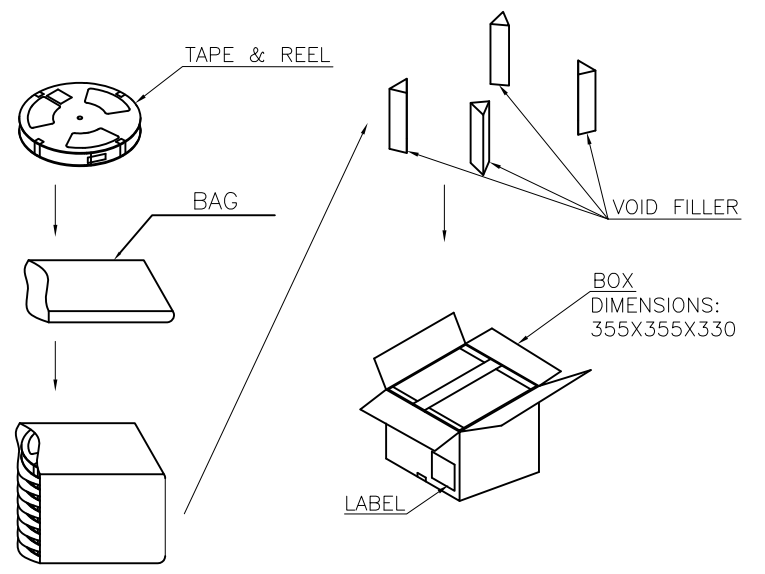
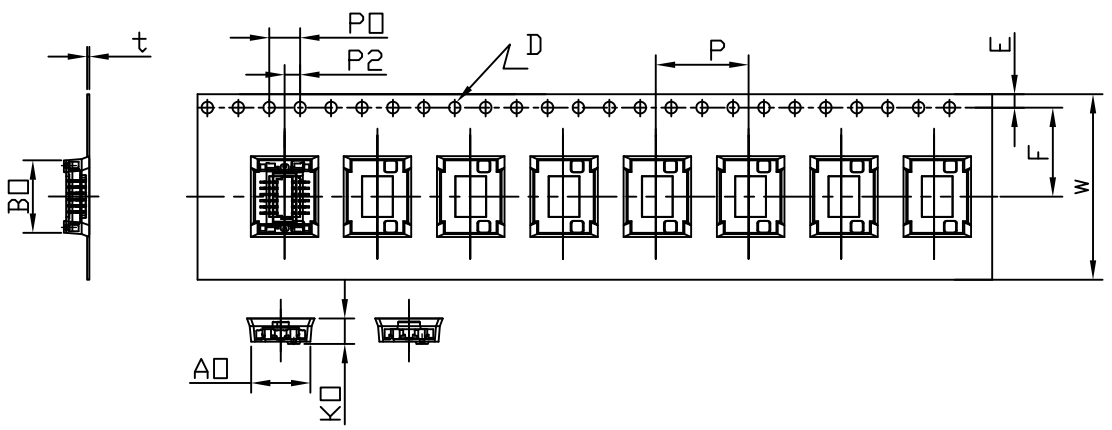
REV.	UNIT	SCALE	General Tolerance	TITLE	PH0.8 BTOB H1.4 Female		
A	mm	1:1	X. ± 0.5	DRAWN	DATE	NO.	
			.X ± 0.3	Tom	08-06-14'	002	
			.XX ± 0.2	CHECK	DATE	PART NO.	
			.XXX ± 0.1	APPROVED	DATE	BACA-012G1140NWLI-B	
			Angle ± 5°			CUSTOMER NO.	DK

(Q2-R03-01A) ST-R05-07

REV.	DESCRIPTION	DATE
A	New Drawing	2018/12/21



USER DIRECTION OF UNREELING →



Note:
 1.All dimensions meet EIA-481-C requirements.
 2.Thickness : 0.3±0.05mm

ITEM	W	A ₀	B ₀	K ₀	P	T
DIM	24.0 ^{+0.30} _{-0.30}	7.66±0.1	9.38±0.1	3.30±0.1	12.00±0.1	0.30±0.05
ITEM	F	E	D ₀	P ₀	P ₂	
DIM	11.50±0.15	1.75±0.1	1.50 ^{+0.10} _{-0.00}	4.00±0.1	2.0±0.15	

PIN No.	PCS/R	R/CTN
12PIN	1500 PCS	11 R

Superior Tech Co., Ltd.		General Tolerance		TITLE BACA-012G1140NWLI-B & BBCA-012G1155NWLI-B_Packing		
		X. ± 0.5		DRAWN	DATE	NO.
		.X ± 0.3		Tom	2018/12/21	002
		.XX ± 0.2		CHECK	DATE	PART NO. BACA-012G1140NWLI-B/ BBCA-012G1155NWLI-B
		.XXX ± 0.1		APPROVED	DATE	CUSTOMER NO.
REV. A	UNIT mm	SCALE 1:1		Angle ± 5°	CUSTOMER NO. DK	

(Q2-R03-01A) ST-R05-07