

SP2-50 ✓ ACTIVE

MEAS | MEAS SP

TE Internal #: SP2-50

TE Internal Description: STRING POT 50 INCH RANGE

IP67 String Pot, 40in. Electrical Cable

[View on TE.com >](#)



Sensors > Position Sensors > Potentiometer Sensors > Cable Actuated Position Sensors > IP67 String Pot, 40in. Electrical Cable



Position Sensor Product Type: **SP Series, String Pots**

Full Stroke Range: **101.6 - 1270 mm [4 - 50 in]**

Output Signal Type: **Voltage Divider (Potentiometric)**

Accuracy: **±.25 % of FS**

Repeatability: **.02 % of FS**

[All IP67 String Pot, 40in. Electrical Cable \(4\)](#)

Features

Product Type Features

Position Sensor Product Type	SP Series, String Pots
------------------------------	------------------------

Body Features

Case Material	Polycarbonate + Stainless Mounting Bracket
---------------	--

Dimensions

Full Stroke Range	101.6 - 1270 mm[4 - 50 in]
-------------------	----------------------------

Usage Conditions

Accuracy	±.25 % of FS
Operating Temperature Range	-18 - 71 °C[0 - 160 °F]

Operation/Application

Output Signal Type	Voltage Divider (Potentiometric)
--------------------	----------------------------------

Industry Standards

IP Rating	IP51
Hazardous Area Approval	No

Other

Repeatability	.02 % of FS
---------------	-------------



Encoder Drive	No
Measuring Cable	Nylon-Coated Stainless Steel

Product Compliance

[For compliance documentation, visit the product page on TE.com>](#)

EU RoHS Directive 2011/65/EU	Compliant
EU ELV Directive 2000/53/EC	Compliant with Exemptions
China RoHS 2 Directive MIIT Order No 32, 2016	No Restricted Materials Above Threshold
EU REACH Regulation (EC) No. 1907/2006	Current ECHA Candidate List: JAN 2024 (240) Candidate List Declared Against: JUL 2021 (219) Does not contain REACH SVHC
Halogen Content	Not Yet Reviewed for halogen content
Solder Process Capability	Not reviewed for solder process capability

Product Compliance Disclaimer

This information is provided based on reasonable inquiry of our suppliers and represents our current actual knowledge based on the information they provided. This information is subject to change. The part numbers that TE has identified as EU RoHS compliant have a maximum concentration of 0.1% by weight in homogenous materials for lead, hexavalent chromium, mercury, PBB, PBDE, DBP, BBP, DEHP, DIBP, and 0.01% for cadmium, or qualify for an exemption to these limits as defined in the Annexes of Directive 2011/65/EU (RoHS2). Finished electrical and electronic equipment products will be CE marked as required by Directive 2011/65/EU. Components may not be CE marked. Additionally, the part numbers that TE has identified as EU ELV compliant have a maximum concentration of 0.1% by weight in homogenous materials for lead, hexavalent chromium, and mercury, and 0.01% for cadmium, or qualify for an exemption to these limits as defined in the Annexes of Directive 2000/53/EC (ELV). Regarding the REACH Regulation, the information TE provides on SVHC in articles for this part number is based on the latest European Chemicals Agency (ECHA) 'Guidance on requirements for substances in articles' posted at this URL: <https://echa.europa.eu/guidance-documents/guidance-on-reach>

Compatible Parts



TE Part # CAT-CAPS0068
IP67 String Pot, 40in. Electrical Cable

TE Part # 9036810-0040
CONN,PLUG,STRGHT,4COND,5M, SC4

Also in the Series | **MEAS SP**



Cable Actuated Position Sensors(22)

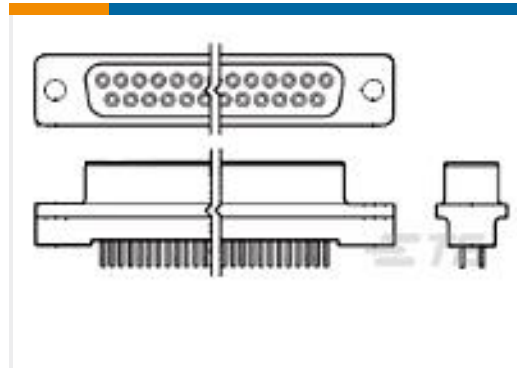
Customers Also Bought



TE Part # SG1-80-2
STRING POT, 80 INCH RANGE



TE Part # SP2-25
STRING POT 25 INCH RANGE



TE Part # 5745076-4
HD-20 RCPT 9P VERT FFSCRLK



TE Part # 2-5747705-1
37 PLUG SP/FMS SCRLK



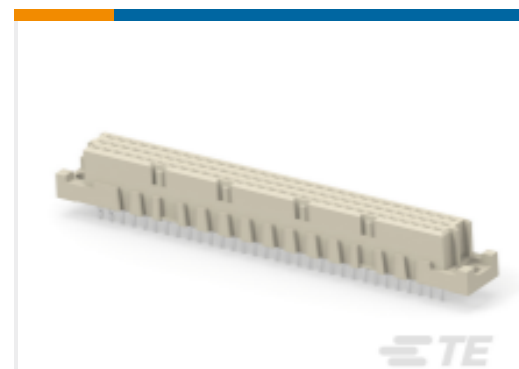
TE Part # 6609032-3
2VR1=F7196 S0



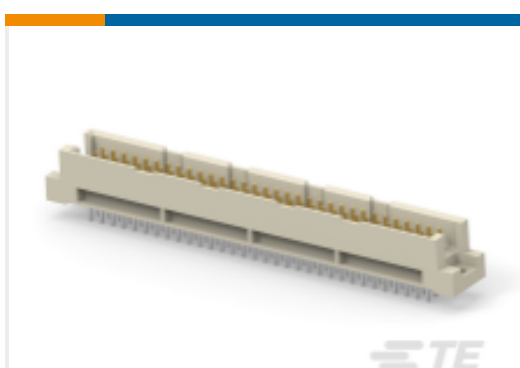
TE Part # 1-1437558-1
MTA106DPC=(MSTA) SW TOG P/C TE



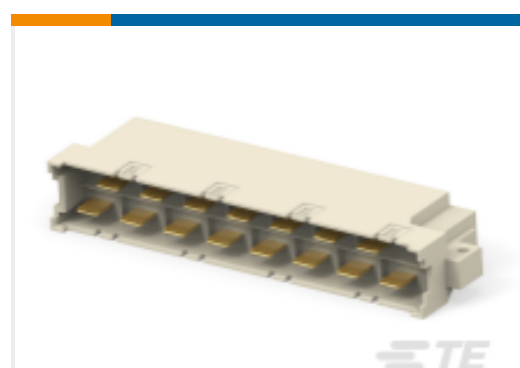
TE Part # 4-1393249-9
W58-XC4C12A-5=W58



TE Part # 223839-E
STVC 64 F AC W 7-00 TL 4,0 * 247
E007 1



TE Part # 374199-E
STVR 96 MI ABC VV 4-00 GA06 4,0 *
137 E



TE Part # 413638-E
STVH15 15 M ZD VV 3-00 LAFD * * 199
E 17

Documents

CAD Files

[3D PDF](#)

[3D](#)

Customer View Model

[ENG_CVM_CVM_SP2-50_1.2d_dxf.zip](#)

English

Customer View Model

[ENG_CVM_CVM_SP2-50_1.3d_igs.zip](#)



English

Customer View Model

[ENG_CVM_CVM_SP2-50_1.3d_stp.zip](#)

English

By downloading the CAD file I accept and agree to the [Terms and Conditions](#) of use.