

SP1-25 ✓ ACTIVE

MEAS | MEAS SP

TE Internal #: SP1-25

TE Internal Description: STRING POT 25.0 INCH RANGE

IP67 Incremental Encoder

[View on TE.com >](#)



Sensors > Position Sensors > Potentiometer Sensors > Cable Actuated Position Sensors > IP67 Incremental Encoder



Position Sensor Product Type: **SP Series, String Pots**

Full Stroke Range: **101.6 - 1270 mm [ 4 - 50 in ]**

Output Signal Type: **Voltage Divider (Potentiometric)**

Accuracy: **±.25 % of FS**

Repeatability: **.02 % of FS**

[All IP67 Incremental Encoder \(8\)](#)

## Features

### Product Type Features

Position Sensor Product Type	SP Series, String Pots
------------------------------	------------------------

### Body Features

Case Material	Polycarbonate + Stainless Mounting Bracket
---------------	--

### Dimensions

Full Stroke Range	101.6 - 1270 mm[4 - 50 in]
-------------------	----------------------------

### Usage Conditions

Accuracy	±.25 % of FS
Operating Temperature Range	-40 - 71 °C[-40 - 160 °F]

### Operation/Application

Output Signal Type	Voltage Divider (Potentiometric)
--------------------	----------------------------------

### Industry Standards

IP Rating	IP50
Hazardous Area Approval	No

### Other

Repeatability	.02 % of FS
---------------	-------------



Encoder Drive

No

Measuring Cable

Nylon-Coated Stainless Steel

### Product Compliance

[For compliance documentation, visit the product page on TE.com>](#)

EU RoHS Directive 2011/65/EU

Compliant with Exemptions

EU ELV Directive 2000/53/EC

Compliant with Exemptions

China RoHS 2 Directive MIIT Order No 32, 2016

Restricted Materials Above Threshold

EU REACH Regulation (EC) No. 1907/2006

Current ECHA Candidate List: JAN 2024 (240)  
 Candidate List Declared Against: JAN 2023 (233)  
 SVHC > Threshold:  
 Pb (3.4% in Component)

**Article Safe Usage Statements:**  
 Do not eat, drink or smoke when using this product. Wash thoroughly after handling. Recycle if possible and dispose of the article by following all applicable governmental regulations relevant to your geographic location.

Halogen Content

Not Yet Reviewed for halogen content

Solder Process Capability

Not reviewed for solder process capability

#### Product Compliance Disclaimer

This information is provided based on reasonable inquiry of our suppliers and represents our current actual knowledge based on the information they provided. This information is subject to change. The part numbers that TE has identified as EU RoHS compliant have a maximum concentration of 0.1% by weight in homogenous materials for lead, hexavalent chromium, mercury, PBB, PBDE, DBP, BBP, DEHP, DIBP, and 0.01% for cadmium, or qualify for an exemption to these limits as defined in the Annexes of Directive 2011/65/EU (RoHS2). Finished electrical and electronic equipment products will be CE marked as required by Directive 2011/65/EU. Components may not be CE marked. Additionally, the part numbers that TE has identified as EU ELV compliant have a maximum concentration of 0.1% by weight in homogenous materials for lead, hexavalent chromium, and mercury, and 0.01% for cadmium, or qualify for an exemption to these limits as defined in the Annexes of Directive 2000/53/EC (ELV). Regarding the REACH Regulation, the information TE provides on SVHC in articles for this part number is based on the latest European Chemicals Agency (ECHA) 'Guidance on requirements for substances in articles' posted at this URL: <https://echa.europa.eu/guidance-documents/guidance-on-reach>

### Compatible Parts



TE Part # CAT-CAPS0067  
IP67 Incremental Encoder

TE Part # 9036810-0040  
CONN,PLUG,STRGHT,4COND,5M,SC4

### Also in the Series | MEAS SP



Cable Actuated Position Sensors(22)

## Customers Also Bought



TE Part # SP1-4  
STRING POT 4.75 INCH RANGE



TE Part # 6418370001  
TMS-SCE-1/8-2.0-4



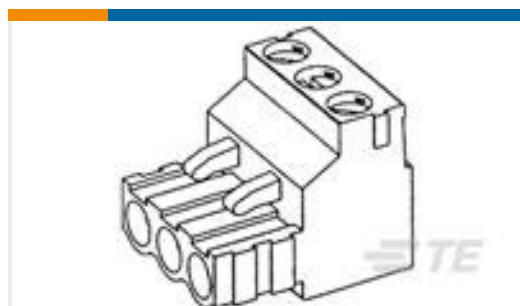
TE Part # 5-1623732-4  
BCHE 7 W 82R 5%



TE Part # 2-1879453-9  
TE 1000W 220R 5% Bracket



TE Part # 1622364-1  
LR1 1% 1K8



TE Part # 282807-4  
TERMI-BLOK PLUG STACKING 4P.5,



TE Part # 8-2176407-6  
3560 18R 5%



TE Part # 1-968968-1  
2,5MM BU-GEH ASSY4P



TE Part # HPP805A031  
HM1500LF HUMIDITY MODULE



TE Part # T4111010051-000  
M12 M, 5P GOLD A CODE W/O  
GLAND

## Documents

[CAD Files](#)

[3D PDF](#)

[3D](#)

[Customer View Model](#)

[ENG\\_CVM\\_CVM\\_SP1-25\\_1.2d\\_dxf.zip](#)

[English](#)

[Customer View Model](#)

[ENG\\_CVM\\_CVM\\_SP1-25\\_1.3d\\_igs.zip](#)



English

Customer View Model

[ENG\\_CVM\\_CVM\\_SP1-25\\_1.3d\\_stp.zip](#)

English

By downloading the CAD file I accept and agree to the [Terms and Conditions](#) of use.

---

## Datasheets & Catalog Pages

[SP1](#)

English