



Sensors > Position Sensors > Potentiometer Sensors > Cable Actuated Position Sensors > Voltage Divider IP67 String Pot



Position Sensor Product Type: **SK Series, IP67 String Pots**

Full Stroke Range: **6350 mm [250 in]**

Output Signal Type: **Voltage Divider (Potentiometric)**

Accuracy: **±.35 % of FS**

Repeatability: **.02 % of FS**

[All Voltage Divider IP67 String Pot \(2\)](#)

Features

Product Type Features

Position Sensor Product Type	SK Series, IP67 String Pots
------------------------------	-----------------------------

Body Features

Case Material	Polycarbonate + Stainless Mounting Bracket
---------------	--

Dimensions

Full Stroke Range	6350 mm[250 in]
-------------------	-----------------

Usage Conditions

Accuracy	±.35 % of FS
Operating Temperature Range	-40 - 85 °C[-40 - 185 °F]

Operation/Application

Output Signal Type	Voltage Divider (Potentiometric)
--------------------	----------------------------------

Industry Standards

IP Rating	IP67
Hazardous Area Approval	No

Other

Repeatability	.02 % of FS
---------------	-------------



Encoder Drive

No

Measuring Cable

Nylon-Coated Stainless Steel

Product Compliance

[For compliance documentation, visit the product page on TE.com>](#)

EU RoHS Directive 2011/65/EU

Not Yet Reviewed

EU ELV Directive 2000/53/EC

Not Yet Reviewed

China RoHS 2 Directive MIIT Order No 32, 2016

Not reviewed for China RoHS compliance

EU REACH Regulation (EC) No. 1907/2006

Current ECHA Candidate List: JAN 2024 (240)
Not Yet Reviewed

Halogen Content

Not Yet Reviewed for halogen content

Solder Process Capability

Not reviewed for solder process capability

Product Compliance Disclaimer

This information is provided based on reasonable inquiry of our suppliers and represents our current actual knowledge based on the information they provided. This information is subject to change. The part numbers that TE has identified as EU RoHS compliant have a maximum concentration of 0.1% by weight in homogenous materials for lead, hexavalent chromium, mercury, PBB, PBDE, DBP, BBP, DEHP, DIBP, and 0.01% for cadmium, or qualify for an exemption to these limits as defined in the Annexes of Directive 2011/65/EU (RoHS2). Finished electrical and electronic equipment products will be CE marked as required by Directive 2011/65/EU. Components may not be CE marked. Additionally, the part numbers that TE has identified as EU ELV compliant have a maximum concentration of 0.1% by weight in homogenous materials for lead, hexavalent chromium, and mercury, and 0.01% for cadmium, or qualify for an exemption to these limits as defined in the Annexes of Directive 2000/53/EC (ELV). Regarding the REACH Regulations, TE's information on SVHC in articles for this part number is still based on the European Chemical Agency (ECHA) 'Guidance on requirements for substances in articles'(Version: 2, April 2011), applying the 0.1% weight on weight concentration threshold at the finished product level. TE is aware of the European Court of Justice ruling of September 10th, 2015 also known as O5A (Once An Article Always An Article) stating that, in case of 'complex object', the threshold for a SVHC must be applied to both the product as a whole and simultaneously to each of the articles forming part of its composition. TE has evaluated this ruling based on the new ECHA "Guidance on requirements for substances in articles" (June 2017, version 4.0) and will be updating its statements accordingly.

Compatible Parts



TE Part # SK1-400-3
400 IN VOLTAGE DIVIDER STRING POT



TE Part # SKD-250-3
250 IN 0-10V / 4-20MA IP67 STRING POT



TE Part # SKH-250-4
250 IN CANOPEN IP67 STRING POT



TE Part # SKJ-250-4
250 IN CANJ1939 IP67 STRING POT

Also in the Series | **MEAS SK**



Cable Actuated Position Sensors(10)

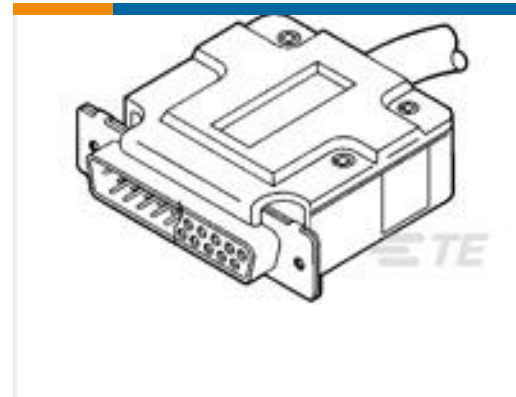
Customers Also Bought



TE Part # T4110002051-000
M12,FEMALE,STRAIGHT,A CODE,5P,
PG9,GOLD



TE Part # HD10-9-1939P-P080
RECP ASM, J1939 TYPE 2



TE Part # 207467-1
CABLE CLAMP KIT,SZ 1



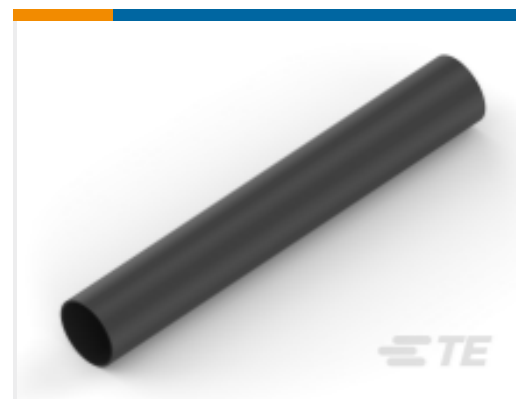
TE Part # 5-747905-7
9 Rcpt Solder Cup, G/F w/ CN,



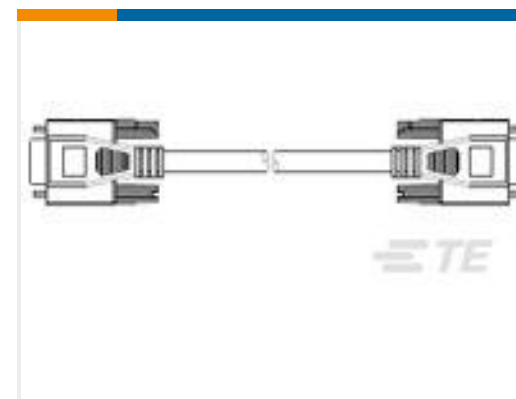
TE Part # DT06-3S-P012
PLG, 3P, BLK, N



TE Part # NB09312001
ATUM 3:1 Heat Shrink Tubing



TE Part # NB10132001
ATUM-24/6-0-STK



TE Part # 621808-1
DB EXT DB9 M/F 6'

Documents

CAD Files

3D PDF

3D

Customer View Model

[ENG_CVM_CVM_SK1-250-3_A.2d_dxf.zip](#)

English

Customer View Model

[ENG_CVM_CVM_SK1-250-3_A.3d_igs.zip](#)

English

Customer View Model

[ENG_CVM_CVM_SK1-250-3_A.3d_stp.zip](#)

English

By downloading the CAD file I accept and agree to the [Terms and Conditions](#) of use.

Datasheets & Catalog Pages

SK1

English



[Product Specifications](#)

[Manuals & User Guides](#)

English