



Sensors > Position Sensors > Potentiometer Sensors > Cable Actuated Position Sensors > String Pots - SG1



Position Sensor Product Type: **SG Series String Pots**

Full Stroke Range: **2032 mm [80 in]**

Output Signal Type: **Voltage Divider (Potentiometric)**

Accuracy: **±.35 % of FS**

Repeatability: **.02 % of FS**

[All String Pots - SG1 \(5\)](#)

Features

Product Type Features

Position Sensor Product Type	SG Series String Pots
------------------------------	-----------------------

Body Features

Case Material	Polycarbonate + Stainless Mounting Bracket
---------------	--

Dimensions

Full Stroke Range	2032 mm[80 in]
-------------------	----------------

Usage Conditions

Accuracy	±.35 % of FS
Operating Temperature Range	-40 - 71 °C[-40 - 160 °F]

Operation/Application

Output Signal Type	Voltage Divider (Potentiometric)
--------------------	----------------------------------

Industry Standards

IP Rating	IP50
Hazardous Area Approval	No

Other

Repeatability	.02 % of FS
---------------	-------------



Encoder Drive

No

Measuring Cable

Nylon-Coated Stainless Steel

Product Compliance

[For compliance documentation, visit the product page on TE.com>](#)

EU RoHS Directive 2011/65/EU

Compliant with Exemptions

EU ELV Directive 2000/53/EC

Compliant

China RoHS 2 Directive MIIT Order No 32, 2016

Restricted Materials Above Threshold

EU REACH Regulation (EC) No. 1907/2006

Current ECHA Candidate List: JAN 2024 (240)
 Candidate List Declared Against: JUNE 2023 (235)
 SVHC > Threshold:
 Pb (3% in Component)

Article Safe Usage Statements:
 Do not eat, drink or smoke when using this product. Wash thoroughly after handling. Recycle if possible and dispose of the article by following all applicable governmental regulations relevant to your geographic location.

Halogen Content

Not Yet Reviewed for halogen content

Solder Process Capability

Not reviewed for solder process capability

Product Compliance Disclaimer

This information is provided based on reasonable inquiry of our suppliers and represents our current actual knowledge based on the information they provided. This information is subject to change. The part numbers that TE has identified as EU RoHS compliant have a maximum concentration of 0.1% by weight in homogenous materials for lead, hexavalent chromium, mercury, PBB, PBDE, DBP, BBP, DEHP, DIBP, and 0.01% for cadmium, or qualify for an exemption to these limits as defined in the Annexes of Directive 2011/65/EU (RoHS2). Finished electrical and electronic equipment products will be CE marked as required by Directive 2011/65/EU. Components may not be CE marked. Additionally, the part numbers that TE has identified as EU ELV compliant have a maximum concentration of 0.1% by weight in homogenous materials for lead, hexavalent chromium, and mercury, and 0.01% for cadmium, or qualify for an exemption to these limits as defined in the Annexes of Directive 2000/53/EC (ELV). Regarding the REACH Regulation, the information TE provides on SVHC in articles for this part number is based on the latest European Chemicals Agency (ECHA) 'Guidance on requirements for substances in articles' posted at this URL: <https://echa.europa.eu/guidance-documents/guidance-on-reach>

Compatible Parts



Also in the Series | **MEAS SG**



Cable Actuated Position Sensors(13)

Customers Also Bought



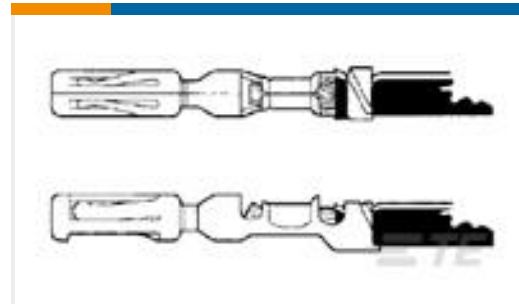
TE Part # 5413194-2
BNC, RT ANG, PCB, JACK



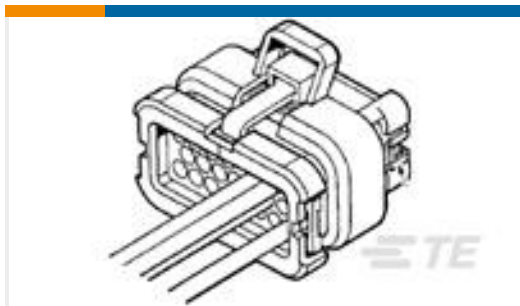
TE Part # 5179031-1
0.8FH,P08H.5,040,08/Sn,TU



TE Part # 5227161-7
RTANG JACK W/MTG PINS, BNC PCB



TE Part # 770854-1
CONTACT, AMPSEAL SN/LP



TE Part # 776273-5
14POS,AMPSEAL,SOC HSG ASSY,SLD, COD 5



TE Part # 2213932-2
SMT TB R/A HEADER, 3.5MM, 2 POS



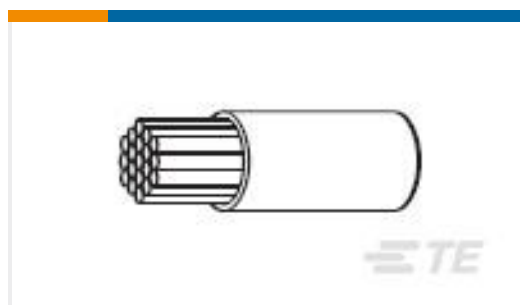
TE Part # 1734510-1
MINI USB, TYPE B, R/A, T/H



TE Part # 63130-2
SPLICE REC. 1500-5000 .020 BR



TE Part # ADP-SMAF-MCXM
SMA Jack to MCX Plug



TE Part # 290051-000
FLHTC0311-14-6

Documents

CAD Files

[3D PDF](#)

[3D](#)

Customer View Model

[ENG_CVM_CVM_SG1-80-3_1.2d_dxf.zip](#)

English

Customer View Model

[ENG_CVM_CVM_SG1-80-3_1.3d_igs.zip](#)



English

Customer View Model

[ENG_CVM_CVM_SG1-80-3_1.3d_stp.zip](#)

English

By downloading the CAD file I accept and agree to the [Terms and Conditions](#) of use.

Datasheets & Catalog Pages

[SG1](#)

English