



Sensors > Position Sensors > Potentiometer Sensors > Cable Actuated Position Sensors > String Pots - SG1



Position Sensor Product Type: **SG Series String Pots**

Full Stroke Range: **2032 mm [80 in]**

Output Signal Type: **Voltage Divider (Potentiometric)**

Accuracy: **±.35 % of FS**

Repeatability: **.02 % of FS**

[All String Pots - SG1 \(5\)](#)

Features

Product Type Features

Position Sensor Product Type	SG Series String Pots
------------------------------	-----------------------

Body Features

Case Material	Polycarbonate + Stainless Mounting Bracket
---------------	--

Dimensions

Full Stroke Range	2032 mm[80 in]
-------------------	----------------

Usage Conditions

Accuracy	±.35 % of FS
Operating Temperature Range	-40 - 71 °C[-40 - 160 °F]

Operation/Application

Output Signal Type	Voltage Divider (Potentiometric)
--------------------	----------------------------------

Industry Standards

IP Rating	IP50
Hazardous Area Approval	No

Other

Repeatability	.02 % of FS
---------------	-------------



Encoder Drive	No
Measuring Cable	Nylon-Coated Stainless Steel

Product Compliance

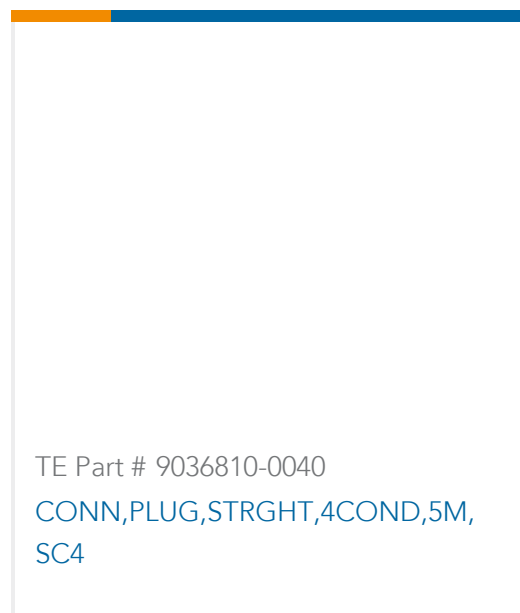
[For compliance documentation, visit the product page on TE.com>](#)

EU RoHS Directive 2011/65/EU	Compliant
EU ELV Directive 2000/53/EC	Compliant
China RoHS 2 Directive MIIT Order No 32, 2016	No Restricted Materials Above Threshold
EU REACH Regulation (EC) No. 1907/2006	Current ECHA Candidate List: JAN 2024 (240) Candidate List Declared Against: JUN 2020 (209) Does not contain REACH SVHC
Halogen Content	Not Yet Reviewed for halogen content
Solder Process Capability	Not reviewed for solder process capability

Product Compliance Disclaimer

This information is provided based on reasonable inquiry of our suppliers and represents our current actual knowledge based on the information they provided. This information is subject to change. The part numbers that TE has identified as EU RoHS compliant have a maximum concentration of 0.1% by weight in homogenous materials for lead, hexavalent chromium, mercury, PBB, PBDE, DBP, BBP, DEHP, DIBP, and 0.01% for cadmium, or qualify for an exemption to these limits as defined in the Annexes of Directive 2011/65/EU (RoHS2). Finished electrical and electronic equipment products will be CE marked as required by Directive 2011/65/EU. Components may not be CE marked. Additionally, the part numbers that TE has identified as EU ELV compliant have a maximum concentration of 0.1% by weight in homogenous materials for lead, hexavalent chromium, and mercury, and 0.01% for cadmium, or qualify for an exemption to these limits as defined in the Annexes of Directive 2000/53/EC (ELV). Regarding the REACH Regulation, the information TE provides on SVHC in articles for this part number is based on the latest European Chemicals Agency (ECHA) 'Guidance on requirements for substances in articles' posted at this URL: <https://echa.europa.eu/guidance-documents/guidance-on-reach>

Compatible Parts



Also in the Series | **MEAS SG**



Cable Actuated Position Sensors(13)

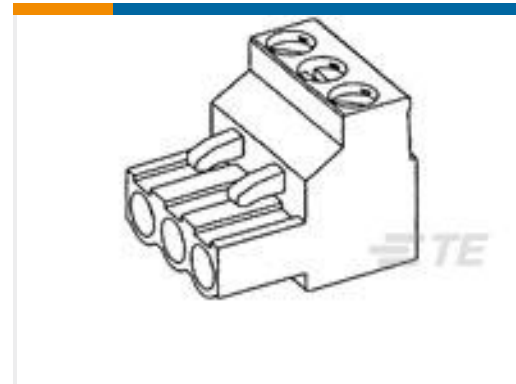
Customers Also Bought



TE Part # SP2-25
IP67 String Pot, 40in. Electrical Cable



TE Part # 282106-1
AMP SUPERSEAL 1.5MM,
CONNECTOR HOUSING



TE Part # 282808-4
TERMI-BLOK PLUG STACKING 4P.10



TE Part # 5-747905-5
9 Rcpt Solder Cup, 30 gold, Ro



TE Part # 1SNK708011R0000
ZK6-3P



TE Part # G-NSDOG2-002
AXISENSE-2 V-OUT-45 TILT SENSOR
FLOOR MT



TE Part # TRA9023P
OMNI,SB,Ph,902-928MHZ 3,PMT

Documents

CAD Files

3D PDF

3D

Customer View Model

[ENG_CVM_CVM_SG1-80-2_1.2d_dxf.zip](#)

English

Customer View Model

[ENG_CVM_CVM_SG1-80-2_1.3d_igs.zip](#)

English

Customer View Model

[ENG_CVM_CVM_SG1-80-2_1.3d_stp.zip](#)

English

By downloading the CAD file I accept and agree to the [Terms and Conditions](#) of use.