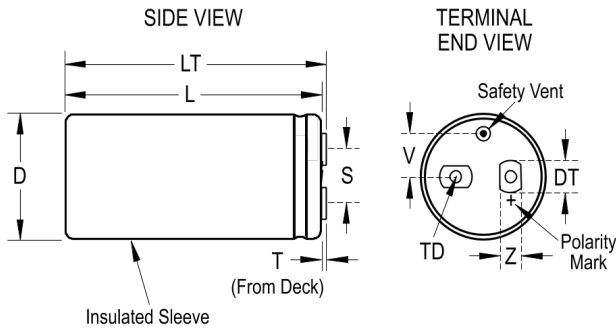


ALS70A753KE040

Aliases (A390LH753M040A)

ALS70, Aluminum Electrolytic, 75,000 uF, 20%, 40 VDC, -40/+85°C



General Information	
Series	ALS70
Dielectric	Aluminum Electrolytic
Description	Screw Terminal, Aluminum Electrolytic
RoHS	Yes
AEC-Q200	No
Halogen Free	Yes
Typical Component Weight	220 g
Notes	Dimensions D And L Include Sleaving. MS (MxH) = M12x16. Mounting Clamp (Sold Separately): V4/2737
Shelf Life	156 Weeks

Click [here](#) for the 3D model.

Dimensions	
D	51mm +/-1mm
L	82mm +/-2mm
T	5.5mm +/-0.5mm
S	22.2mm +/-0.5mm
DT	13mm +/-0.5mm
LT	86.5mm +/-1mm
TD	10mm MIN
V	13.7mm NOM
Z	10mm NOM

Specifications	
Capacitance	75,000 uF
Capacitance Tolerance	20%
Voltage DC	40 VDC, 46 VDC (Surge)
Temperature Range	-40/+85°C
Rated Temperature	85°C
Life	18000 Hrs (Rated Voltage And Ripple Current At 85C), 36000 Hrs (Rated Voltage At 85C)
ESR	18 mOhms (100Hz 20C), 16 mOhms (10kHz 20C)
Ripple Current	17 Amps (100Hz 85C), 18.6 Amps (10kHz 85C)
Leakage Current	6000 uA

Packaging Specifications	
Sleaving	Yes
Packaging	Tray

Statements of suitability for certain applications are based on our knowledge of typical operating conditions for such applications, but are not intended to constitute - and we specifically disclaim - any warranty concerning suitability for a specific customer application or use. This information is intended for use only by customers who have the requisite experience and capability to determine the correct products for their application. Any technical advice inferred from this information or otherwise provided by us with reference to the use of our products is given gratis, and we assume no obligation or liability for the advice given or results obtained.