

Design multi-tone sounder / Multi-t.sounder 144

Multi-t.sounder BWM 32 tne 115VAC BK/GY

Part No.: 144.000.67

**MECHANICAL DATA**

| | |
|------------------------------|--------------------------------|
| Length | 113 mm |
| Width | 109 mm |
| Height | 150 mm |
| Materials | PC/ABS |
| Housing colour | Black |
| Protection category | IP65 |
| Connection | Spring-type terminal |
| cross-sectional area maximum | 1,50mm ² / 16AWG |
| Cable entry | Membrane grommet |
| Cable entry minimum | d = 1 mm |
| Cable entry maximum | d = 13 mm |
| Type of fixing | Base mounting Wall mounting |
| Working temperature minimum | -30°C |
| Working temperature maximum | +50°C |
| Weight with packaging | 520 g |
| Product weight | 450 g |

ELECTRICAL DATA

| | |
|-----------------------------|--------------------------|
| Operating voltage | 115V |
| Operating voltage type | AC |
| Operating voltage frequency | 60Hz |
| Operating voltage tolerance | +/- 10% |
| Rated operational voltage | 115 VAC |
| Rated operational current | 55 mA |
| Rated inrush current | 500 mA |
| Protection class | Protection class 2 |
| Pollution degree | 3 |
| Overvoltage category | II |
| Isolation voltage | Ui = 250V; Uimp = 2.500V |

ACOUSTIC DATA

| | |
|-----------------------------|-----------------|
| Volume (max) at 1m distance | 114,0 dB (A) |
| Acoustic signal image | Multi-tone |
| Number of tones | 32 tone |
| Acoustic service life | 5,000 h minimum |

APPROVAL DATA

| | |
|------------------|-----|
| Conforms with CE | Yes |
|------------------|-----|



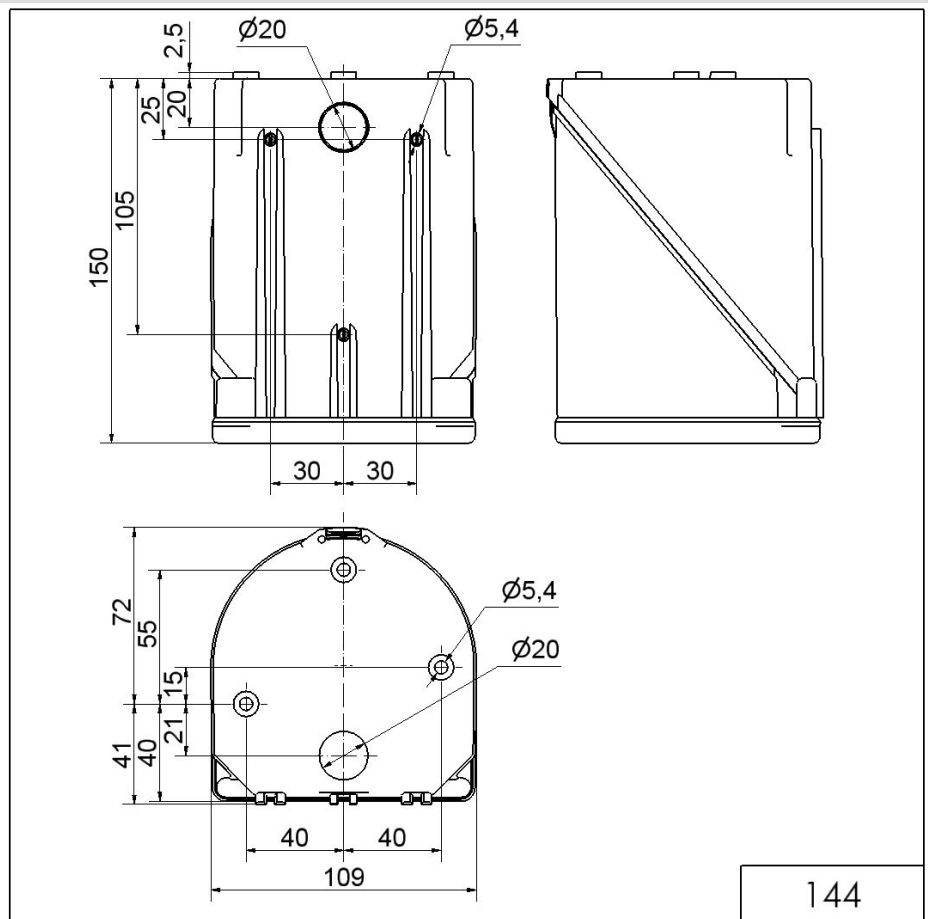
For additional installation and mounting information, refer to the appropriate user guide at www.werma.com. This printed copy is for information only and is subject to alteration.

Design multi-tone sounder / Multi-t.sounder 144

Multi-t.sounder BWM 32 tne 115VAC BK/GY

| | |
|-------------------------------|-----------------------|
| Conforms with RoHS directive | Yes |
| WEEE | Yes |
| Conforms with ATEX-directive | No |
| Conforms with CCC | No |
| Conforms with UL | No |
| Conforms with FCC | No |
| Conforms with IC | No |
| EAC certificate available | Yes |
| Conforms with UKCA (Importer) | Yes (WERMA (UK) Ltd.) |
| Conforms with AS-I | No |
| ICAO Certification | No |
| Conforms with DNV | No |
| Conforms with RoHS CN | No |
| Conforms with VdS | No |

DRAWING



144

! For additional installation and mounting information, refer to the appropriate user guide at www.werma.com. This printed copy is for information only and is subject to alteration.