



soberton inc.

WT BUZZER

Acoustic Product Specification

Product Number: WT-1310



Release | Revision: B/2018

CONTENTS

This document contains the technical specifications for the electromagnetic buzzer.

Page 1

Specifications

Mechanical Characteristics

Page 2

Environment Test

Reliability Test

Page 3

Recommended Temperature Profile

Measurement Test Circuit

Inspection Fixture

Page 4

Frequency Response Curve

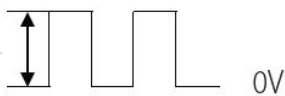
Page 5

Dimensions

Page 6

Packing

Specifications

Item	Unit	Specification	Condition
Rated Voltage	Vo-p	5.0	Vo-p 
Operating Voltage	Vo-p	3.0 ~ 7.0	
Mean Current	mA	40 Max	At rated voltage
Coil Resistance	Ω	47 ±5	
Sound Output	dB	87	At 10cm at rated voltage
Rated Frequency	Hz	2400	Vo-p= ½ duty, square wave
Operating Temp	°C	-30 ~ +70	
Storage Temp	°C	-40 ~ +80	
Dimension	mm	L12.8×W12.8 ×H10.0	See attached drawing
Weight	gram	2.5	
Material		PPS (Gray)	
Terminal		SMD Type (Plating Sn)	See attached drawing
Environmental Protection Regulation		RoHS	

Test condition:

Temperature: +25±2 °C Related humidity: 65±5% Air pressure: 86-106KPa

Mechanical Characteristics

Item	Test condition	Evaluation standard
Solderability	Lead terminals are immersed in rosin for 5 seconds and then immersed in the solder bath at +250 ±5 °C for 3±1 seconds.	90% min. lead terminals shall be wet with solder.
Soldering Heat Resistance	The product follows the reflow temperature curve to test its reflow thermal stability.	No interference in operation.
Terminal Mechanical Strength	Lead pads shall be soldered on the pc board, and the force of 9.8N(1.0kg) shall be applied to the part for 10 seconds.	No damage and cutting off.
Vibration	The part shall be subjected to a vibration cycle of 10Hz to 55Hz to 10Hz in a period of 1 minute. Total peak amplitude shall be 1.52mm(9.3G). The vibration test shall consist of 2 hours per axis in each three axes(X,Y,Z). Total 6 hours.	After the test, the part shall meet specifications without any damage in appearance and performance except SPL. The SPL should be ±10dBA compared with the initial one.
Drop Test	The part is dropped from a height of 75cm onto a 40mm thick wooden board 3 times in 3 axes(X,Y,Z). A total of 9 times.	



soberton inc.

WT BUZZER

Acoustic Product Specification

Product Number: WT-1310



Release | Revision: B/2018

CONTENTS

This document contains the technical specifications for the electromagnetic buzzer.

Page 1

Specifications

Mechanical Characteristics

Page 2

Environment Test

Reliability Test

Page 3

Recommended Temperature Profile

Measurement Test Circuit

Inspection Fixture

Page 4

Frequency Response Curve

Page 5

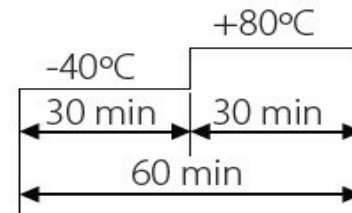
Dimensions

Page 6

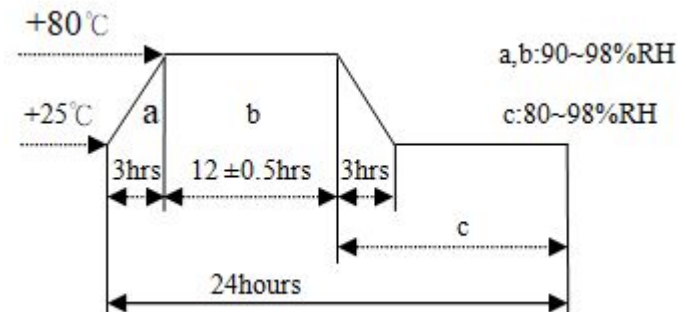
Packing

Environment Test

Item	Test condition	Evaluation standard
High Temp. Test	The part is placed in a chamber at +80°C for 96 hours.	After the test, the part shall meet specifications without any degradation in appearance and performance except SPL. After 4 hours at +25°C, the SPL should be in ±10dBA compared with initial one.
Low Temp. Test	The part is placed in a chamber at -40°C for 96 hours.	
Thermal Shock	The part shall be subjected to 10 cycles. Each cycle shall consist of:	



Temp./Humidity Cycle
The part shall be subjected to 10 cycles. One cycle shall be 24 hours and consist of:



Reliability Test

Item	Test condition	Evaluation standard
Operating Life Test	Ordinary Temperature The part shall be subjected to 96 hours of continuous operation at +25°C ±10°C at 5.0V, 2400Hz.	After the test, the part shall meet specifications without any degradation in appearance and performance except SPL. After 4 hours at +25°C, the SPL should be in ±10dBA compared with initial one.
	High Temperature The part shall be subjected to 72 hours of continuous operation at +70°C at 5.0V, 2400Hz applied	
	Low Temperature The part shall be subjected to 72 hours of continuous operation at -30°C at 5.0V, 2400Hz applied	

Standard test condition:

- a) Temperature: +5~+35°C
- b) Humidity: 45~85%
- c) Pressure: 86 ~ 106KPa



soberton inc.

WT BUZZER

Acoustic Product Specification

Product Number: WT-1310



Release | Revision: B/2018

CONTENTS

This document contains the technical specifications for the electromagnetic buzzer.

Page 1

Specifications

Mechanical Characteristics

Page 2

Environment Test

Reliability Test

Page 3

Recommended Temperature Profile

Measurement Test Circuit

Inspection Fixture

Page 4

Frequency Response Curve

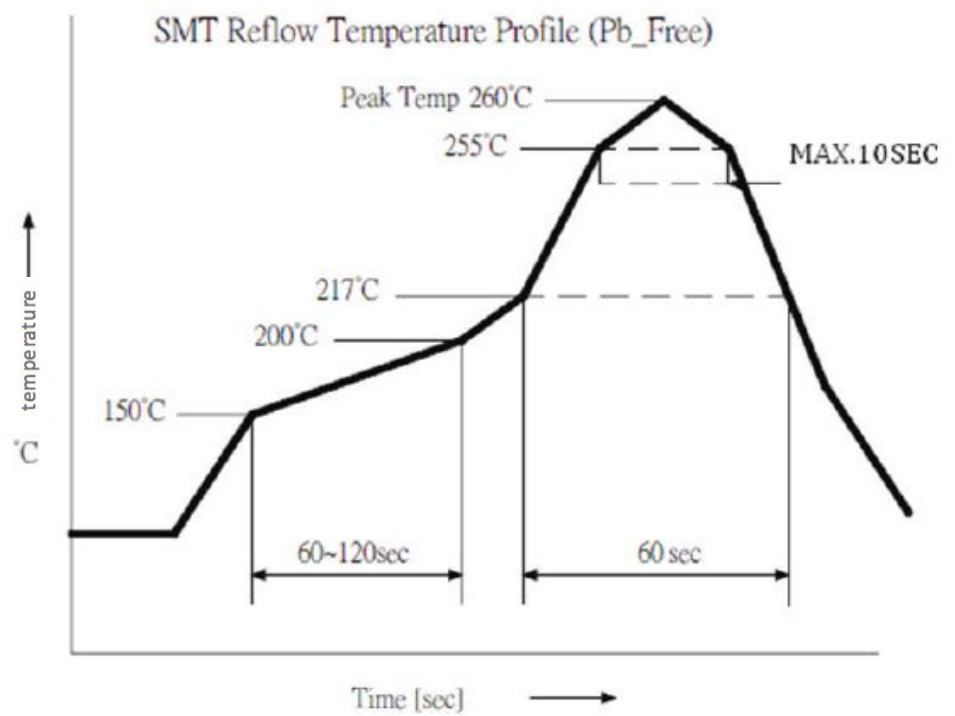
Page 5

Dimensions

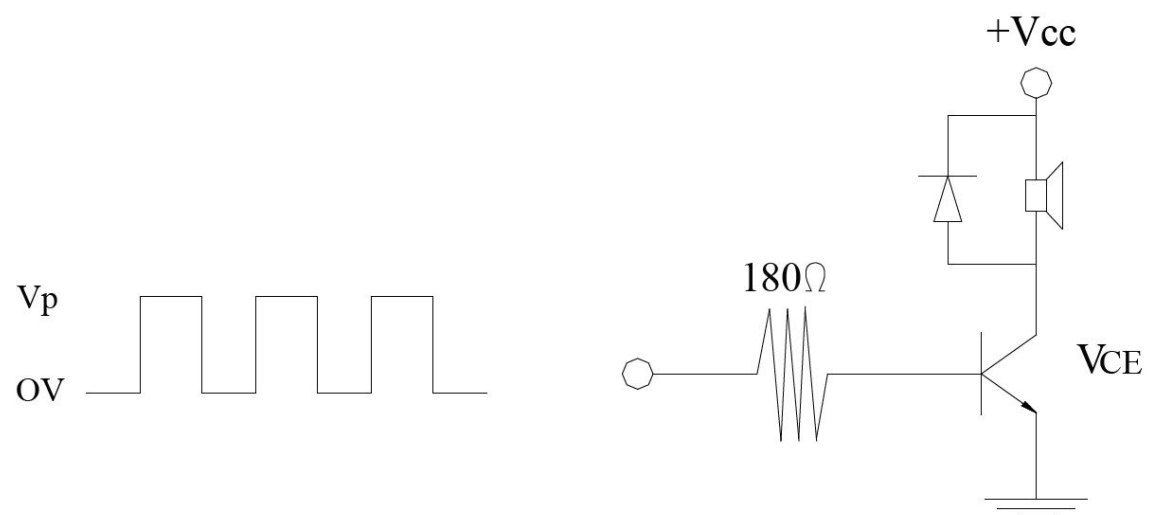
Page 6

Packing

Recommended Wave Soldering Temperature Curve



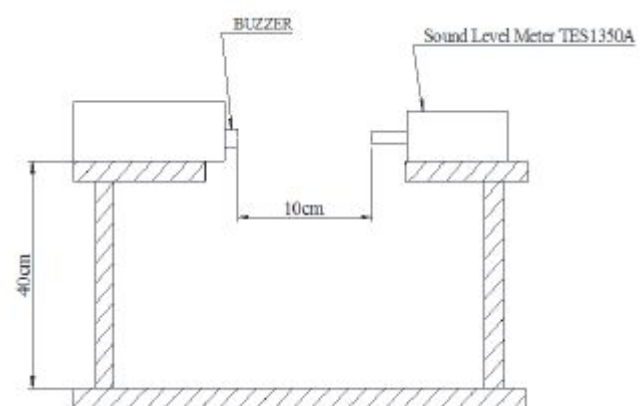
Measurement Test Circuit



Inspection Fixture

S.P.L Measuring Circuit

Input Signal: 5 Vo-p, square wave, 1/2 duty, 2400 Hz



Mic: RION S.P.L meter UC30 or equivalent

S.G: Hewlett Packard 33120A Function Generator or equivalent



soberton inc.

WT BUZZER

Acoustic Product Specification

Product Number: WT-1310



Release | Revision: B/2018

CONTENTS

This document contains the technical specifications for the electromagnetic buzzer.

Page 1

Specifications

Mechanical Characteristics

Page 2

Environment Test

Reliability Test

Page 3

Recommended Temperature Profile

Measurement Test Circuit

Inspection Fixture

Page 4

Frequency Response Curve

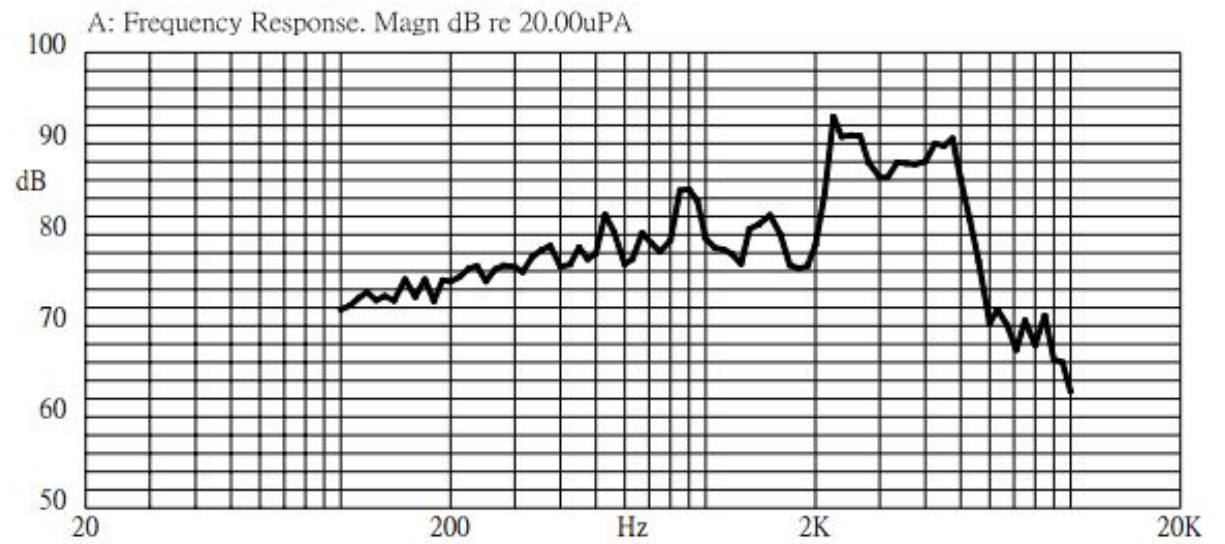
Page 5

Dimensions

Page 6

Packing

Typical Frequency Response Curve





soberton inc.

WT BUZZER

Acoustic Product Specification

Product Number: WT-1310



Release | Revision: B/2018

CONTENTS

This document contains the technical specifications for the electromagnetic buzzer.

Page 1

Specifications

Mechanical Characteristics

Page 2

Environment Test

Reliability Test

Page 3

Recommended Temperature Profile

Measurement Test Circuit

Inspection Fixture

Page 4

Frequency Response Curve

Page 5

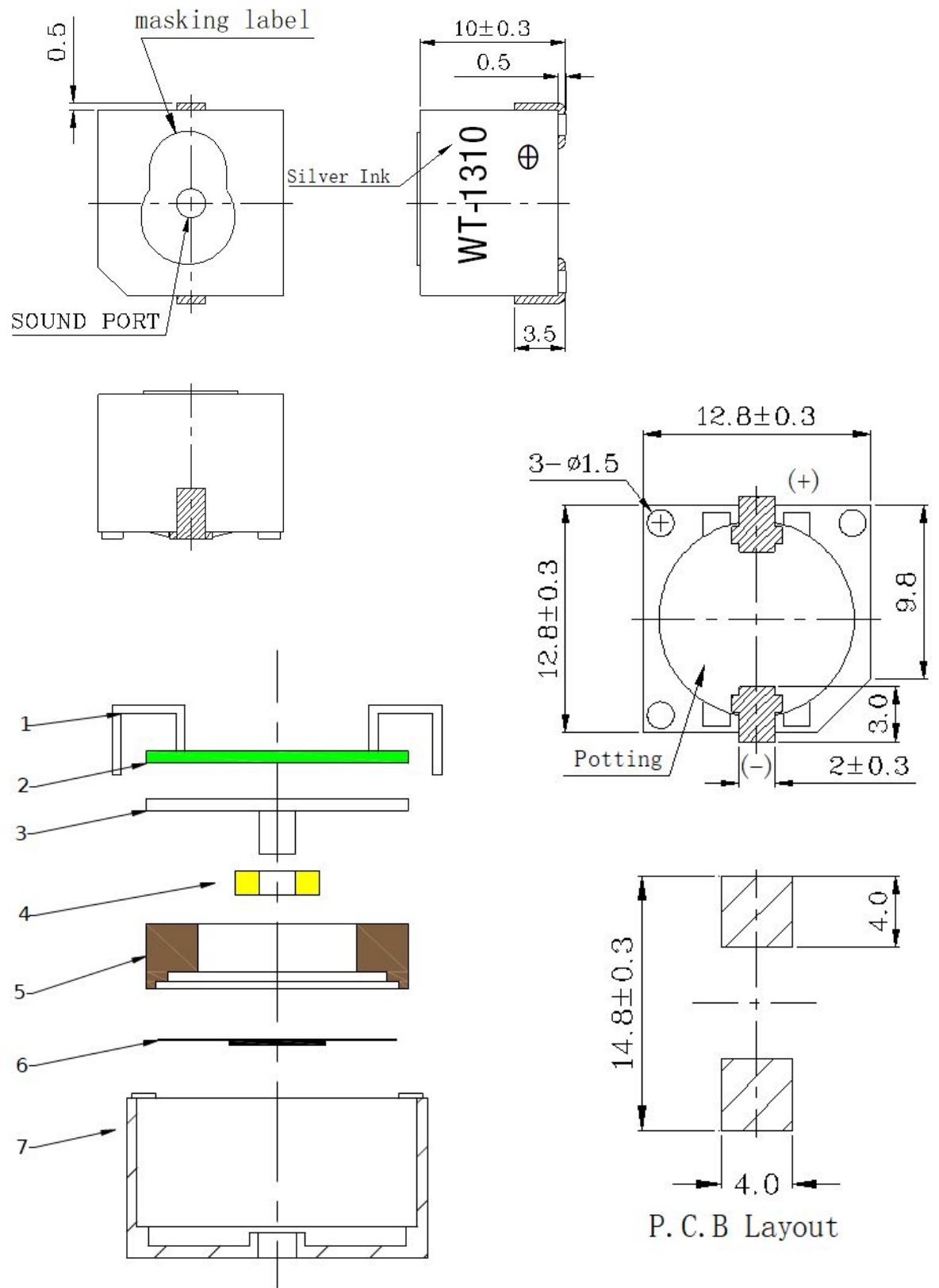
Dimensions

Page 6

Packing

Dimensions

Tolerance: ± 0.5 (unit: mm)



No.	Part Name	Material	Quantity
1	Lead	Copper	2
2	PCB	Epoxy Glass Fiber Cloth + Copper	1
3	Core	Ferrum	1
4	Coil	Copper	1
5	Magnet Ring	Poly + Ferrite	1
6	Diaphragm	Ferrum	1
7	Case	PPS	1



soberton inc.

WT BUZZER

Acoustic Product Specification

Product Number: WT-1310



Release | Revision: B/2018

CONTENTS

This document contains the technical specifications for the electromagnetic buzzer.

Page 1

Specifications

Mechanical Characteristics

Page 2

Environment Test

Reliability Test

Page 3

Recommended Temperature Profile

Measurement Test Circuit

Inspection Fixture

Page 4

Frequency Response Curve

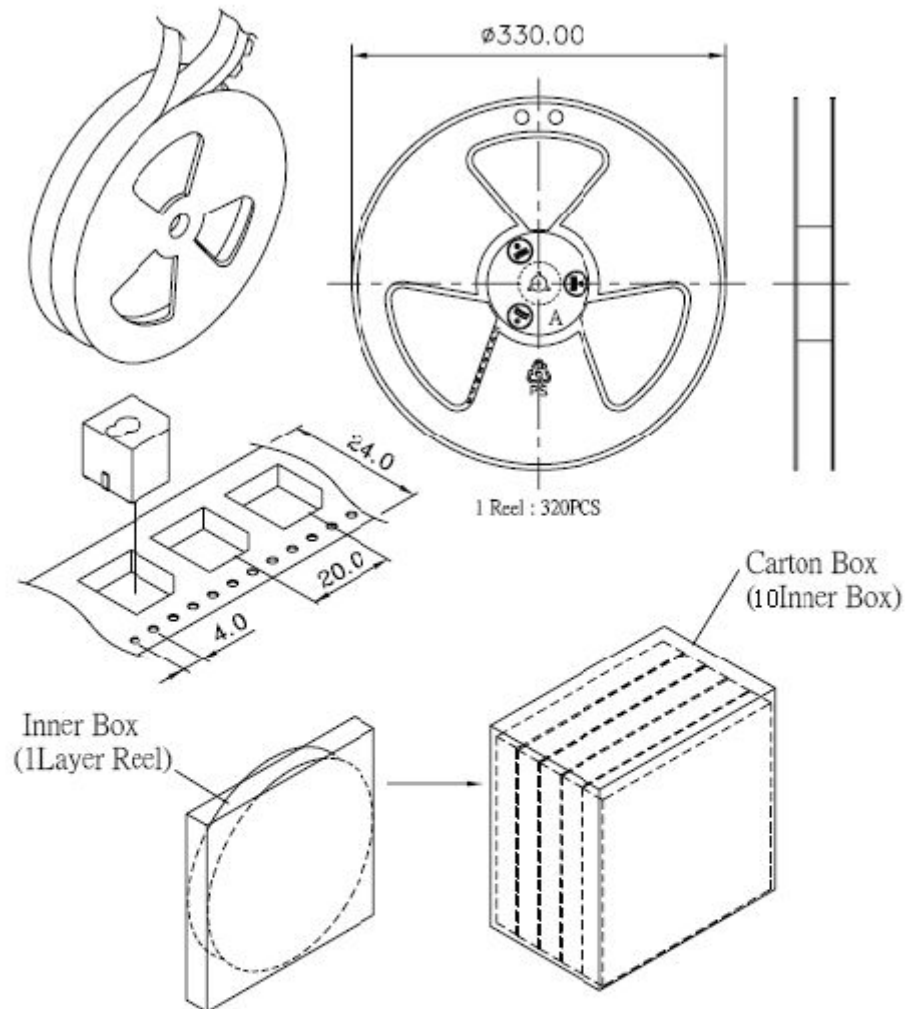
Page 5

Dimensions

Page 6

Packing

Packing



packing box	L x W x H (mm)	pieces
Inner Box	340x340x40	1 x 320 = 320pcs
Carton box	360 x 360 x 420	10 x 320 = 3,200pcs