

MALLORY**Mallory Sonalert
Products Inc.**

Part #

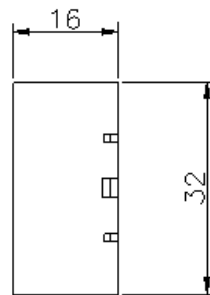
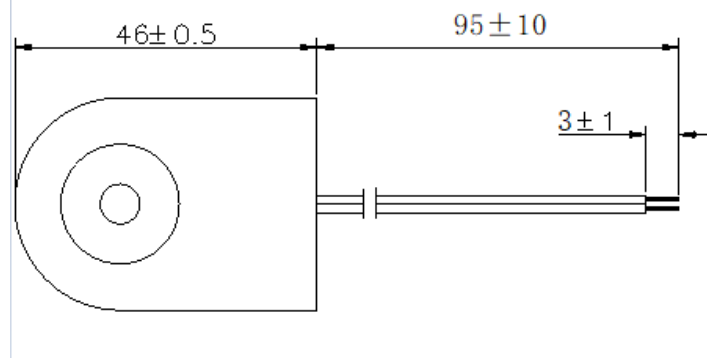
PS-733WDB-SQ**Sales Outline Drawing**

Revision

A

**May not be suitable for all Medical and Aerospace applications.
Contact Mallory Sonalert to discuss your application.**

Oscillation Frequency (Hz)	2500 ~ 4500
Operating Voltage (VDC)	5 ~ 15
Rated Voltage (VDC)	12
Current Consumption Max. (mA)	200 at Rated Voltage
Sound Pressure Level Min. (dB)	85 at 300cm at Rated Voltage
Tone / Pulse Rate	Siren Sweep
LED Type	Blue
Operating Temperature (°C)	-20 ~ +70
Storage Temperature (°C)	-30 ~ +80
Housing	Polycarbonate (Color: Blue)
Lead Wire	28 AWG
Weight (Grams)	36
Options	For other options contact factory

Dimensions: (units: mm)**Holder Hardware:**