


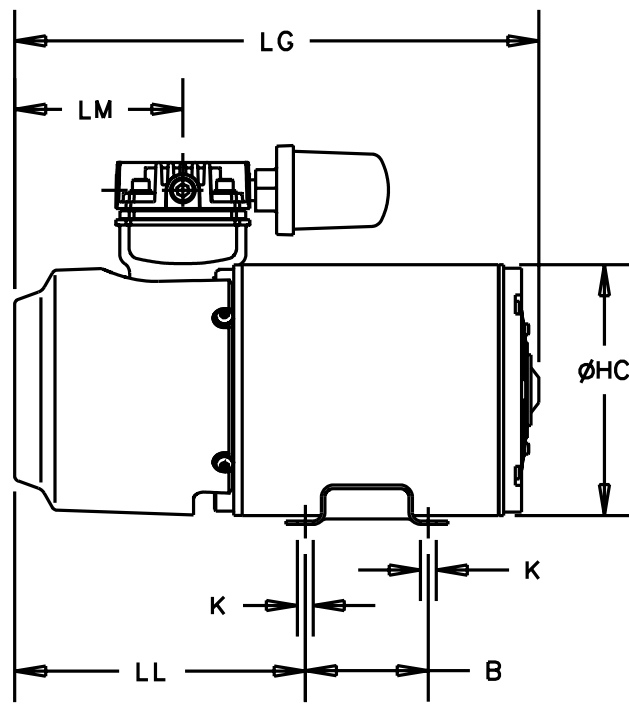
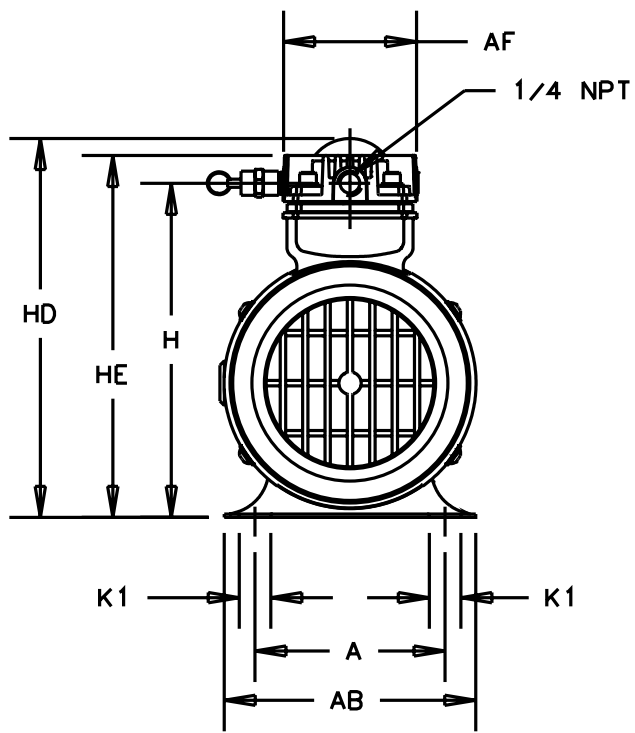
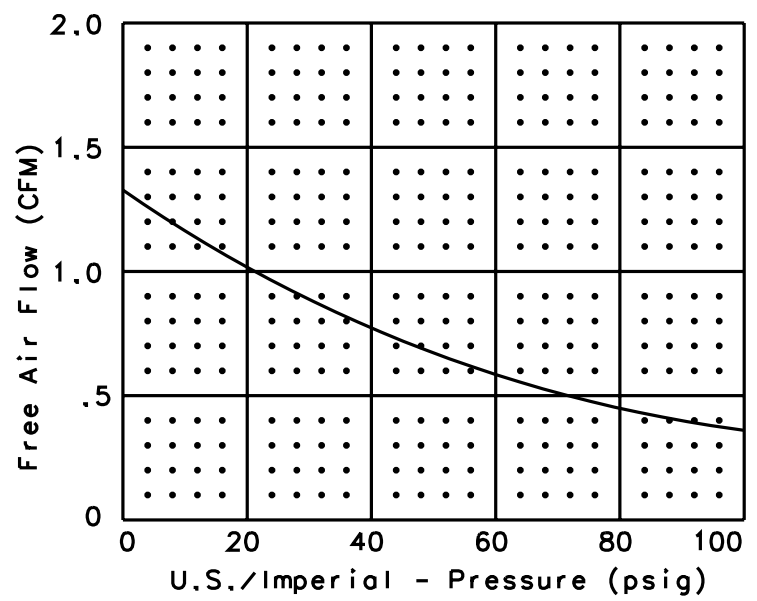
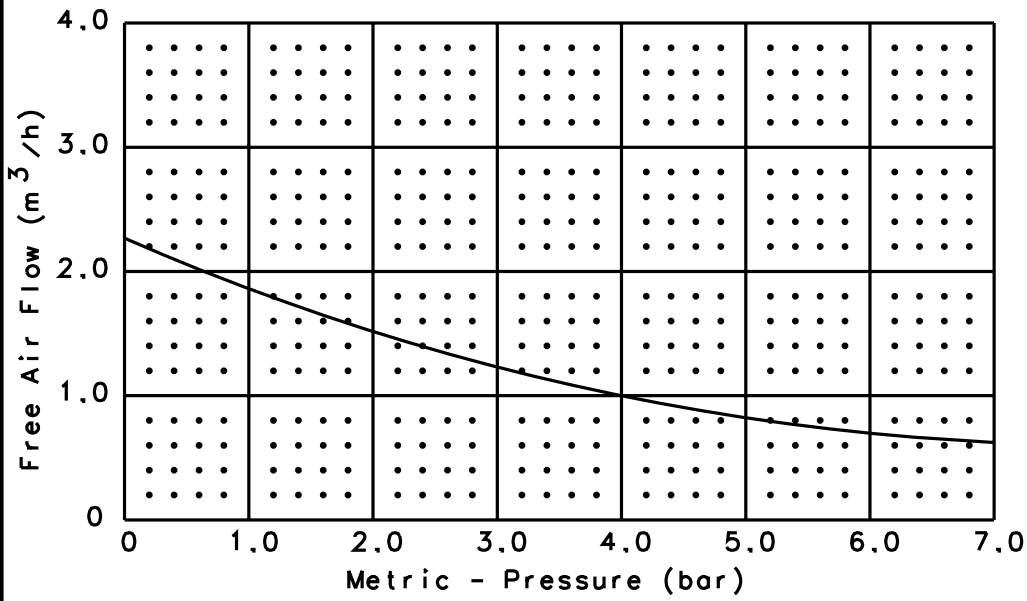
Model Number	Motor	RPM		HP	kW.	Net Wt.		 <small>GAST MANUFACTURING INC.  A Unit of IDEX Corporation  Post Office Box 97  Benton Harbor, Michigan USA  PH.: (616)926-6171  Fax: 269/926-8288</small>
		60 cycle	50 cycle			lbs.	kg.	
1HAB-10-M100X	115v - 1 pH.	1725	----	1/6	0.12	17	7.7	

PART NUMBER	REV.
RTD298	C

SOUND LEVEL	Less than 70 d(B)A
NORMAL AMBIENT	+5 degC to +40degC
RELATIVE HUMIDITY	20% to 80%
ENVIROMENT	Clean Dust Free

NOTES:  
1. ALL DIMENSIONS ARE FOR REF. USE ONLY.  
2. TECHNICAL DATA SUBJECT TO CHANGE WITHOUT NOTICE.

## PRODUCT PERFORMANCE



## PRODUCT DIMENSIONS (mm)

Model Number	A	AB	AC	AD	AE	AF	B	H	HC	HD	HE	K	K1	LE	LG	LL	LM
1HAB-10-M100X	108	143	---	---	---	76	70	190	142	215	205	9	18	---	293	165	95