

PA0219C-P-R *Proto Advantage*

Datasheet revision 1.0

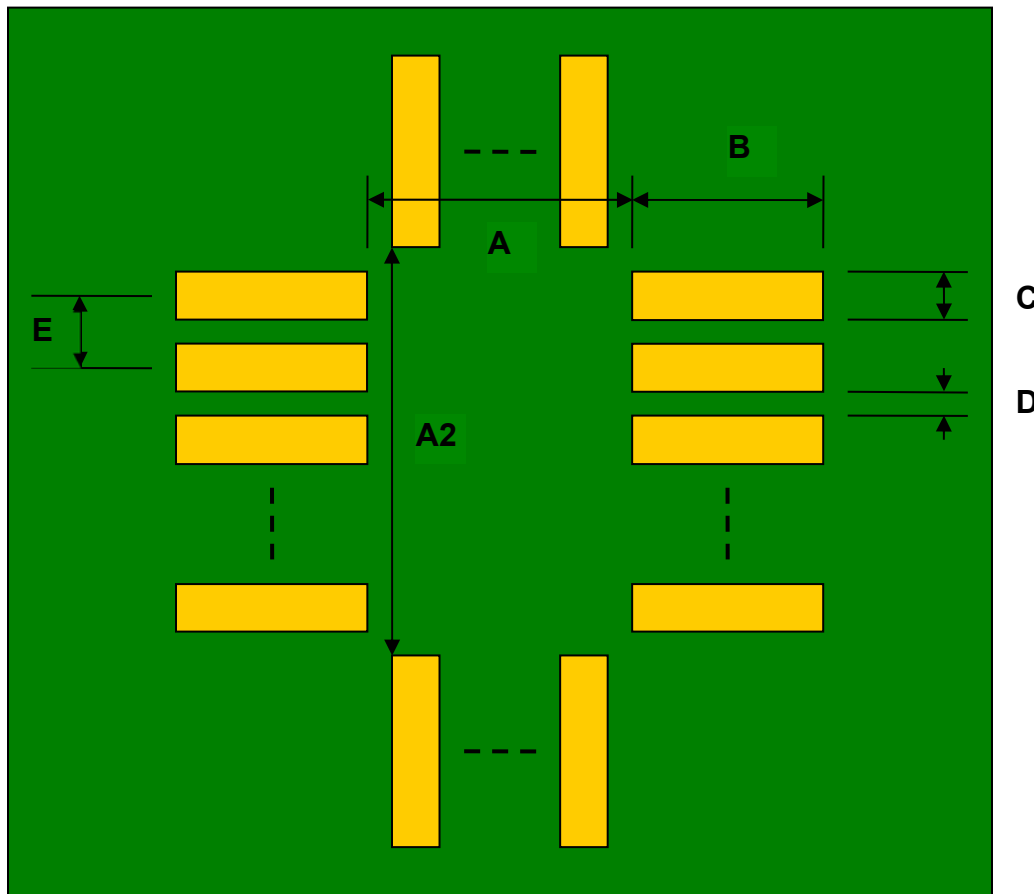
www.Proto-Advantage.com

PLCC-52/JLCC-52/LCC-52 (Pin 1 Out) *Compact Series* to PGA-52 SMT Adapter (1.27 mm pitch, 19 x 19 mm body)

DIMENSIONS						
REF.	mm			inches		
	MIN.	TYP.	MAX.	MIN.	TYP.	MAX.
A		16.75				
A2		16.75				
B		2.75				
C		0.80				
D		0.47				
E		1.27				
F					0.1	
G					0.1	
H		0.46				
X					0.9	
Y					0.9	

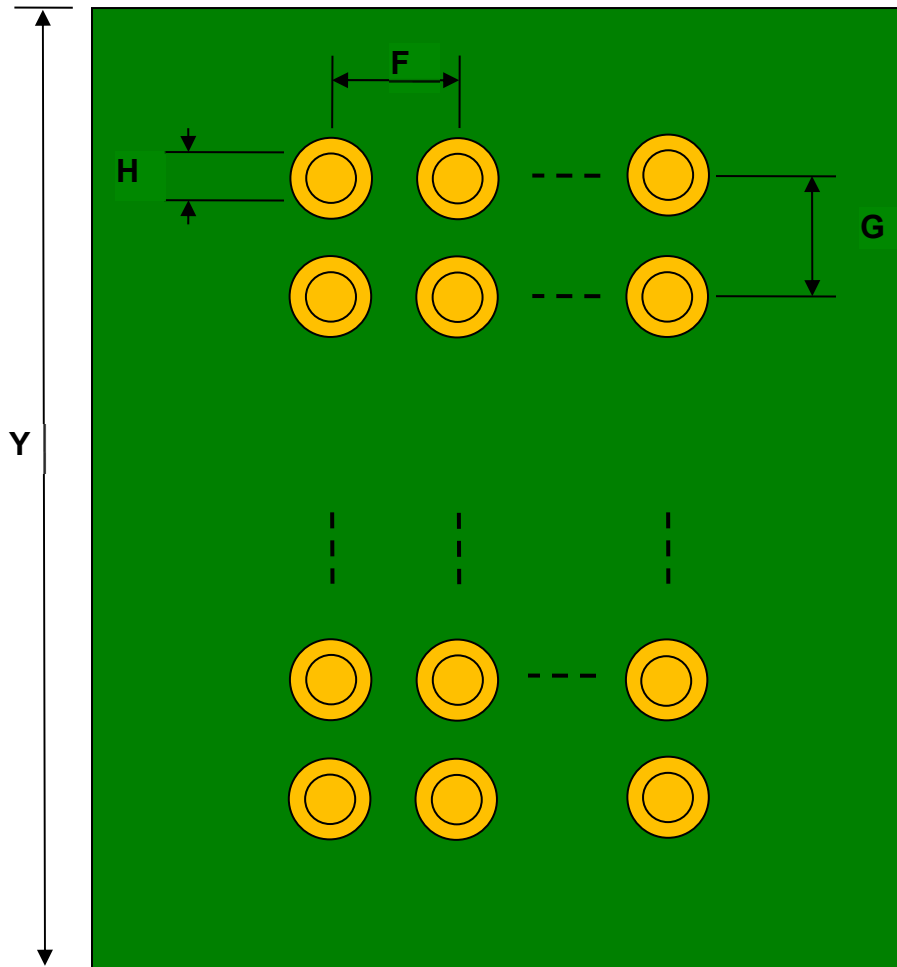


Top View (SMT Footprint)



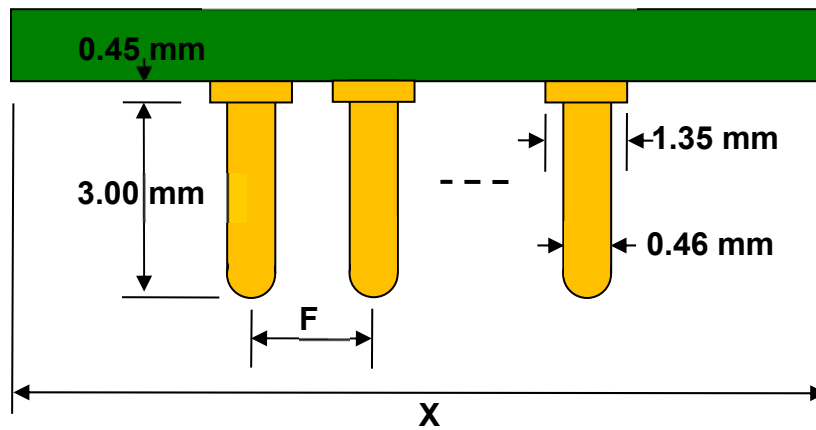
(Representative drawing only - not to scale)

Bottom View (PGA Pins)



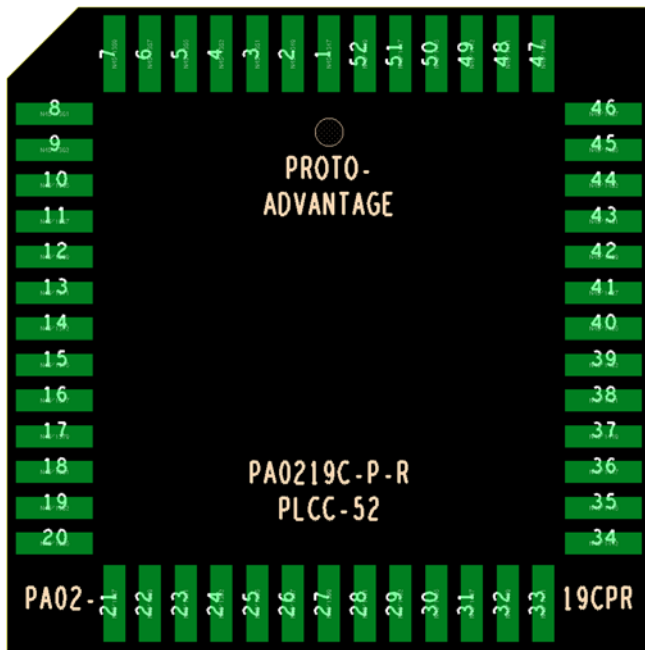
(Representative drawing only - not to scale)

Side View (PGA Pins)



(Representative drawing only - not to scale)

Adapter Pin Out (Top Side)



Adapter Pin Out (Bottom Side) (X-Ray View)

