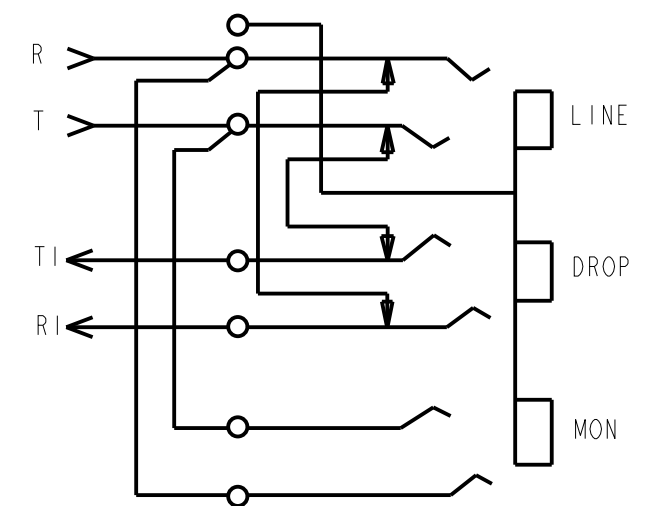
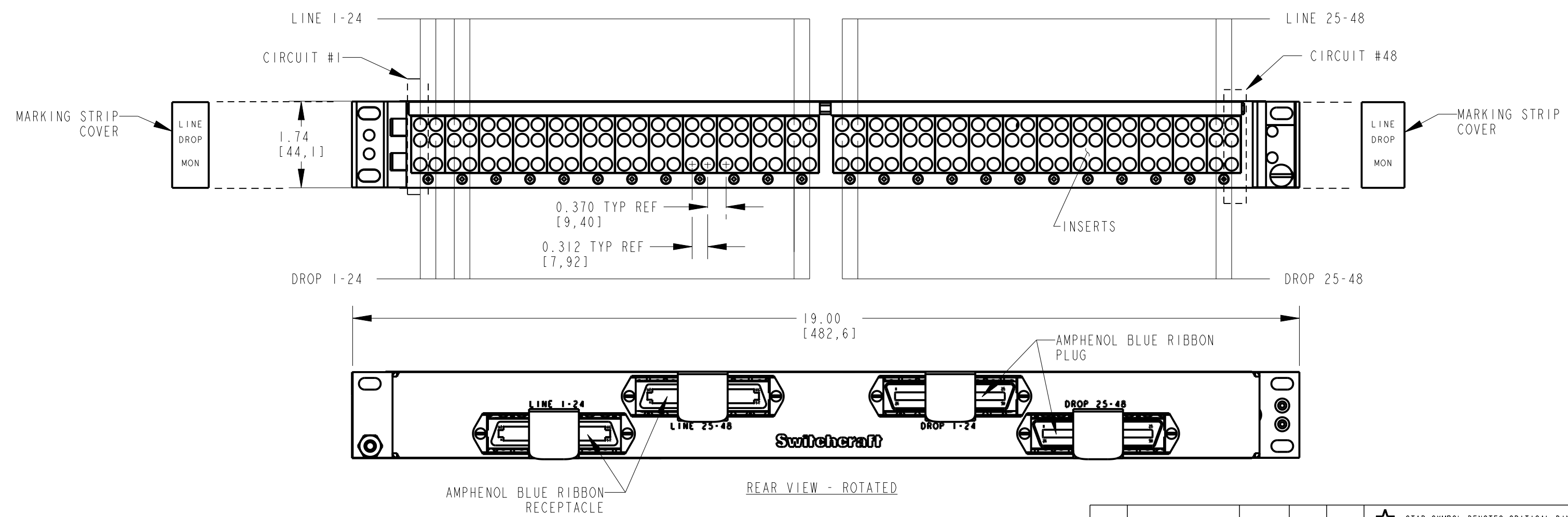
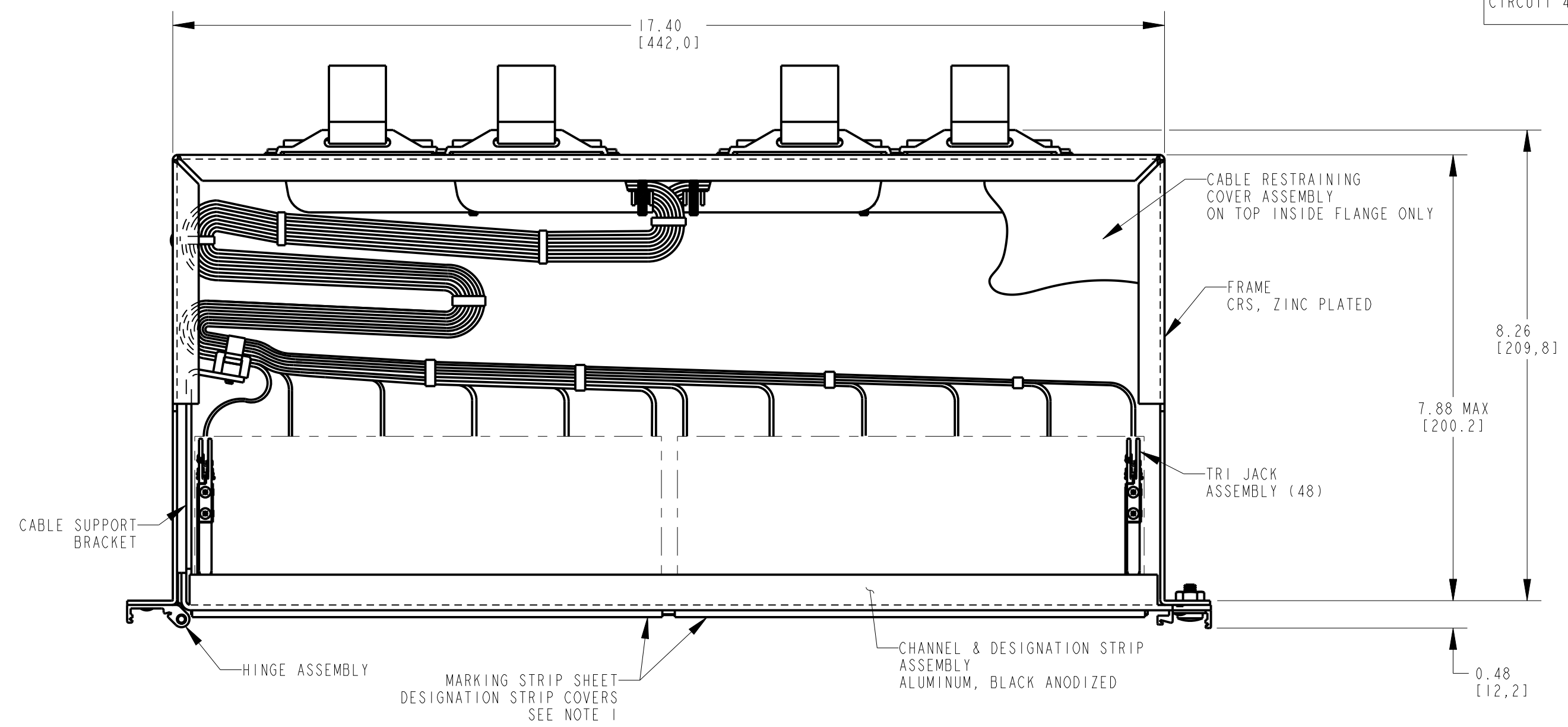
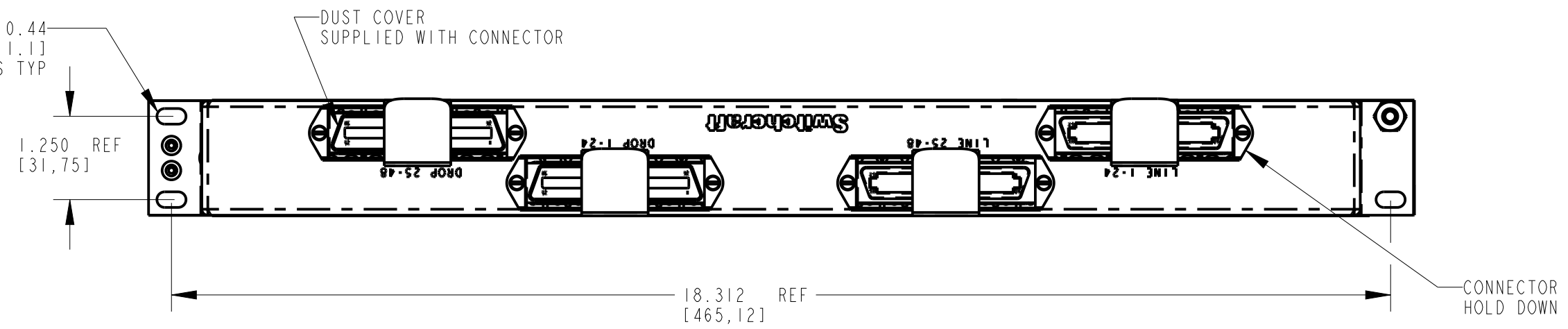


CONNECTION TABLE							
TO PLUG CONNECTOR		PIN		TO RECEPTACLE CONNECTOR		PIN	
CIRCUIT 1	DROP	TI	26	CIRCUIT 1	LINE	T	26
		RI	1			R	1
REPEATED				REPEATED			
CIRCUIT 24	DROP	TI	49	CIRCUIT 24	LINE	T	49
		RI	24			R	24
CIRCUIT 25	DROP	TI	26	CIRCUIT 25	LINE	T	26
		RI	1			R	1
REPEATED				REPEATED			
CIRCUIT 48	DROP	TI	49	CIRCUIT 48	LINE	T	49
		RI	24			R	24



SCHEMATIC
2 WIRE WITH MONITOR
TYPICAL OF 48 CIRCUITS



CUSTOMER DRAWING

NOTES:
1. MARKING STRIPS AND COVERS SHIPPED UNASSEMBLED.

REV	ECO NUMBER	DATE	BY	APVD
J	28576	02-21-23	PC	TJK
H	27999	02-08-18	PC	TJK
G	23554 REDRAWN ON CAD	10-11-00	TO	TJK

★ STAR SYMBOL DENOTES CRITICAL DIMENSION
UNLESS OTHERWISE SPECIFIED
1. ALL DIMENSIONS IN INCHES
- TWO PLACE DECIMALS ±0.01
- THREE PLACE DECIMALS ±0.005
- ANGLES ±1°
- ALL DIA. CONCENTRIC WITHIN 0.005 T.I.R.
2. FEATURES ON THE SAME CENTERLINE MUST BE ALIGNED WITHIN ±0.002
3. REMOVE ALL BURRS
DO NOT SCALE DRAWING

THIS DRAWING DESCRIBES A DESIGN CONSIDERED PROPRIETARY IN NATURE, DEVELOPED AND MANUFACTURED BY SWITCHCRAFT INC. AND IS RELEASED ON A CONFIDENTIAL BASIS FOR IDENTIFICATION PURPOSES ONLY.				
SIZE	WIDTH	MULT	LBS/M	TEMPER
FINISH		MATERIAL		
SPEC No.		SPEC No.		
FIRST USED ON		SCALE		
		1:2		
DATE DRAWN	BY	CHKD	APVD	Switchcraft
30-Jun-03	JL	EB 6-30-03	EB 6-30-03	
NAME		PART No.		REV
2 WIRE CONNECTORIZED JACKFIELD		TT2W48MCF1		J