



Labeling plate for potentiometer, black label, white font, with inscription: 0...10, Outer diameter 40 mm

product brand name	SIRIUS ACT
product designation	Labeling plate
design of the product	for potentiometers
product type designation	3SU1
General technical data	
protection class IP	IP66, IP67, IP69(IP69K)
shock resistance for railway applications according to EN 61373	Category 1, Class B
vibration resistance for railway applications according to EN 61373	Category 1, Class B
Substance Prohibitance (Date)	10/01/2014
Ambient conditions	
ambient temperature	
• during operation	70 ... -25 °C
• during storage and transport	80 ... -40 °C
Accessories	
material of accessory	Plastic
fastening method of label	without
marking of the name plate for command devices	0 ... 10
shape of the name plate for command devices	round
color of the label	black (plate); white (text)
printed ISO symbols	0 ... 10

Certificates/ approvals

General Product Approval	Declaration of Conformity
--------------------------	---------------------------



[Confirmation](#)



Test Certificates	Marine / Shipping	other
-------------------	-------------------	-------

[Type Test Certificates/Test Report](#)



[Confirmation](#)

Environment

[Environmental Confirmations](#)

Further information

Siemens has decided to exit the Russian market (see here).

<https://press.siemens.com/global/en/pressrelease/siemens-wind-down-russian-business>

Siemens is working on the renewal of the current EAC certificates.

Please contact your local Siemens office on the status of validity of the EAC certification if you intend to import or offer to supply these products to an EAC relevant market (other than the sanctioned EAEU member states Russia or Belarus).

Information on the packaging

<https://support.industry.siemens.com/cs/ww/en/view/109813875>

Information- and Downloadcenter (Catalogs, Brochures,...)

<https://www.siemens.com/ic10>

Industry Mall (Online ordering system)

<https://mall.industry.siemens.com/mall/en/en/Catalog/product?mifb=3SU1900-0BG16-0SA0>

Cax online generator

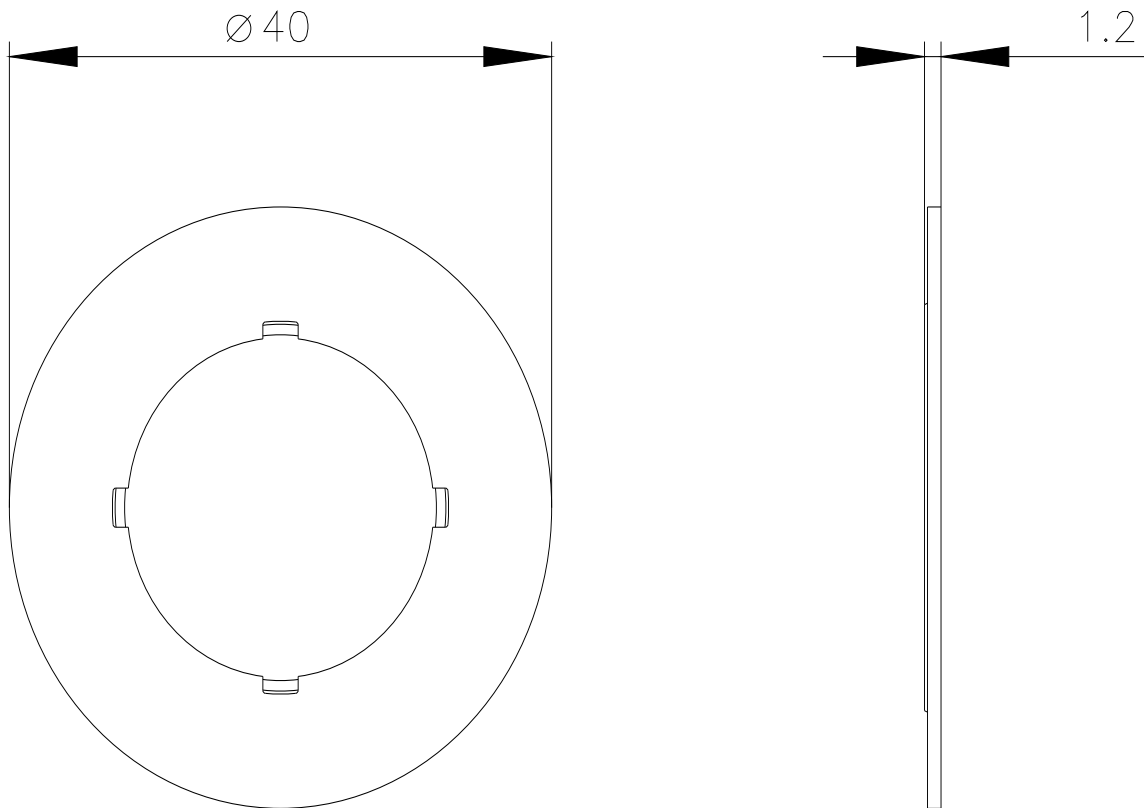
<http://support.automation.siemens.com/WW/CAXorder/default.aspx?lang=en&mifb=3SU1900-0BG16-0SA0>

Service&Support (Manuals, Certificates, Characteristics, FAQs,...)

<https://support.industry.siemens.com/cs/ww/en/ps/3SU1900-0BG16-0SA0>

Image database (product images, 2D dimension drawings, 3D models, device circuit diagrams, EPLAN macros, ...)

http://www.automation.siemens.com/bilddb/cax_de.aspx?mifb=3SU1900-0BG16-0SA0&lang=en



last modified:

5/1/2023 