

Labeling plate for potentiometer, black label, without inscription, Outer diameter 40 mm

|                          |                    |
|--------------------------|--------------------|
| product brand name       | SIRIUS ACT         |
| product designation      | Labeling plate     |
| design of the product    | for potentiometers |
| product type designation | 3SU1               |

**General technical data**

|                                                                     |                         |
|---------------------------------------------------------------------|-------------------------|
| protection class IP                                                 | IP66, IP67, IP69(IP69K) |
| shock resistance for railway applications according to EN 61373     | Category 1, Class B     |
| vibration resistance for railway applications according to EN 61373 | Category 1, Class B     |
| Substance Prohibitance (Date)                                       | 10/01/2014              |

**Ambient conditions**

|                                                                                |               |
|--------------------------------------------------------------------------------|---------------|
| ambient temperature                                                            |               |
| <ul style="list-style-type: none"> <li>during operation</li> </ul>             | 70 ... -25 °C |
| <ul style="list-style-type: none"> <li>during storage and transport</li> </ul> | 80 ... -40 °C |

**Accessories**

|                                               |                             |
|-----------------------------------------------|-----------------------------|
| material of accessory                         | Plastic                     |
| fastening method of label                     | without                     |
| marking of the name plate for command devices | ohne                        |
| shape of the name plate for command devices   | round                       |
| color of the label                            | black (plate); white (text) |

**Certificates/ approvals**

|                          |                           |
|--------------------------|---------------------------|
| General Product Approval | Declaration of Conformity |
|--------------------------|---------------------------|



[Confirmation](#)



|                   |                   |       |
|-------------------|-------------------|-------|
| Test Certificates | Marine / Shipping | other |
|-------------------|-------------------|-------|

[Type Test Certificates/Test Report](#)



[Confirmation](#)

**Environment**

[Environmental Confirmations](#)

## Further information

Siemens has decided to exit the Russian market (see here).

<https://press.siemens.com/global/en/pressrelease/siemens-wind-down-russian-business>

Siemens is working on the renewal of the current EAC certificates.

Please contact your local Siemens office on the status of validity of the EAC certification if you intend to import or offer to supply these products to an EAC relevant market (other than the sanctioned EAEU member states Russia or Belarus).

Information on the packaging

<https://support.industry.siemens.com/cs/ww/en/view/109813875>

Information- and Downloadcenter (Catalogs, Brochures,...)

<https://www.siemens.com/ic10>

Industry Mall (Online ordering system)

<https://mall.industry.siemens.com/mall/en/en/Catalog/product?mifb=3SU1900-0BG16-0AA0>

Cax online generator

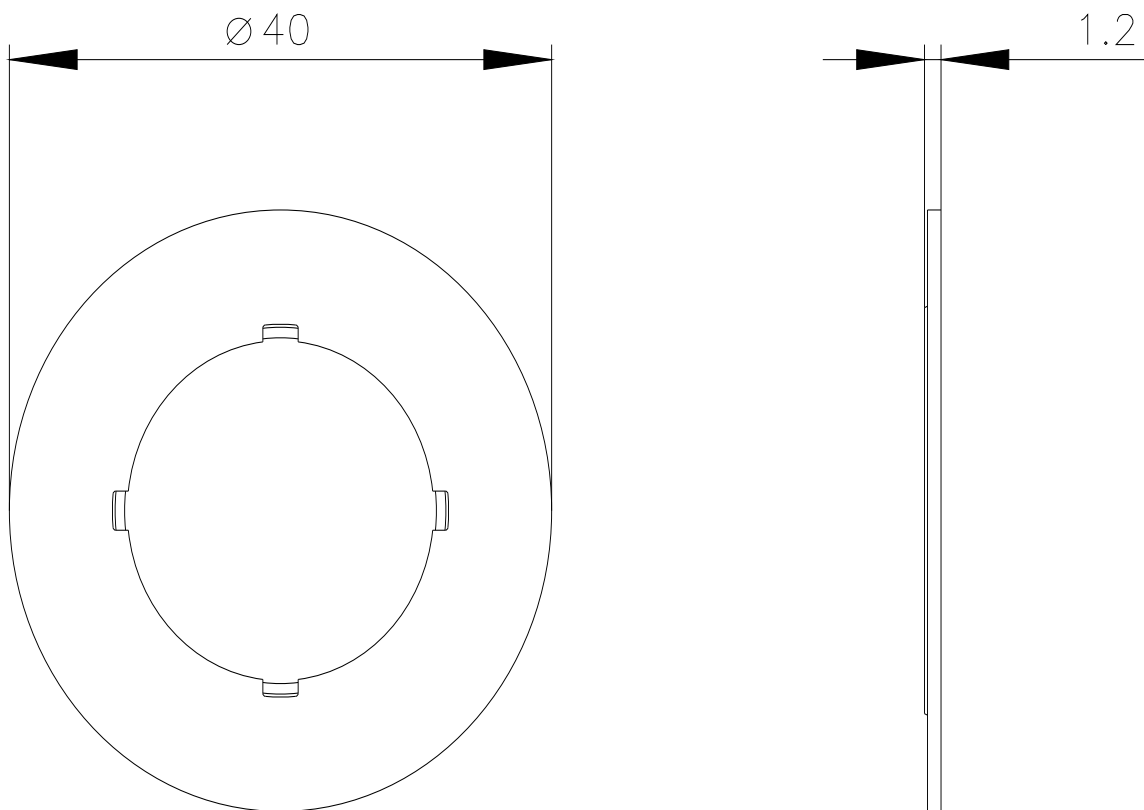
<http://support.automation.siemens.com/WW/CAXorder/default.aspx?lang=en&mifb=3SU1900-0BG16-0AA0>

Service&Support (Manuals, Certificates, Characteristics, FAQs,...)

<https://support.industry.siemens.com/cs/ww/en/ps/3SU1900-0BG16-0AA0>

Image database (product images, 2D dimension drawings, 3D models, device circuit diagrams, EPLAN macros, ...)

[http://www.automation.siemens.com/bilddb/cax\\_de.aspx?mifb=3SU1900-0BG16-0AA0&lang=en](http://www.automation.siemens.com/bilddb/cax_de.aspx?mifb=3SU1900-0BG16-0AA0&lang=en)



last modified:

3/29/2022 