



PE tap Connection main circuit: screw terminal

General technical data			
product brand name		SIRIUS	
product designation		PE pick-up	
protection class IP on the front according to IEC 60529		IP00	
degree of pollution		3	
installation altitude at height above sea level maximum	m	2 000	
ambient temperature			
• during transport	°C	-55 ... +80	
• during storage	°C	-55 ... +80	
• during operation	°C	-20 ... +60	
vibration resistance		f = 4 to 5.8 Hz; d = 15 mm; f = 5.8 to 500 Hz; a = 2 m / s <sup>2</sup> 10 cycles	
shock resistance		Semi-sinusoidal a = 6 m/s <sup>2</sup> at 10 ms; 3 pos. and 3 neg. Shock in all axes	
reference code			
• according to IEC 81346-2		X	
• according to EN 61346-2		X	
Main circuit			
operational current at AC at 400 V rated value	A	63	
Installation/ mounting/ dimensions			
fastening method		plug-in fixing	
width	mm	15	
height	mm	60	
depth	mm	32	
Connections/ Terminals			
type of electrical connection for main current circuit		screw-type terminals	
design of screw-type connection for main contacts		M3	
stripped length for main contacts	mm	10	
tightening torque for main contacts with screw-type terminals	N·m	2 ... 2.5	
type of connectable conductor cross-sections for AWG cables			
• for main contacts for load-side outgoing feeder		2 x (16 ... 10), 1 x (16 ... 8)	
Certificates/ approvals			
General Product Approval	EMC	Declaration of Conformity	Test Certificates

[Confirmation](#)



[Type Test Certificates/Test Report](#)

[Confirmation](#)**Further information**

Siemens has decided to exit the Russian market (see here).

<https://press.siemens.com/global/en/pressrelease/siemens-wind-down-russian-business>

Siemens is working on the renewal of the current EAC certificates.

Please contact your local Siemens office on the status of validity of the EAC certification if you intend to import or offer to supply these products to an EAC relevant market (other than the sanctioned EAEU member states Russia or Belarus).

Information on the packaging

<https://support.industry.siemens.com/cs/ww/en/view/109813875>

Information- and Downloadcenter (Catalogs, Brochures,...)

<https://www.siemens.com/ic10>

Industry Mall (Online ordering system)

<https://mall.industry.siemens.com/mall/en/en/Catalog/product?mlfb=3RA6870-4AB>

Cax online generator

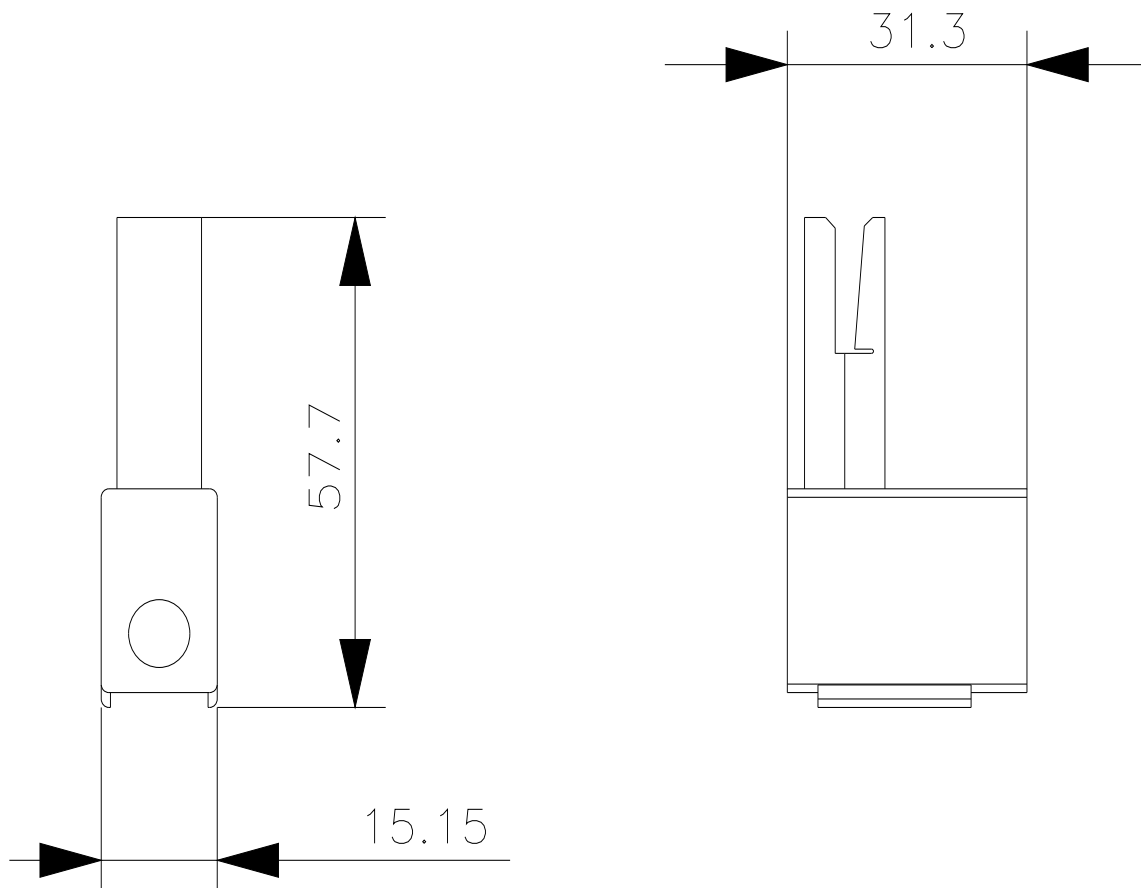
<http://support.automation.siemens.com/WW/CAXorder/default.aspx?lang=en&mlfb=3RA6870-4AB>

Service&Support (Manuals, Certificates, Characteristics, FAQs,...)

<https://support.industry.siemens.com/cs/ww/en/ps/3RA6870-4AB>

Image database (product images, 2D dimension drawings, 3D models, device circuit diagrams, EPLAN macros, ...)

[http://www.automation.siemens.com/bilddb/cax\\_de.aspx?mlfb=3RA6870-4AB&lang=en](http://www.automation.siemens.com/bilddb/cax_de.aspx?mlfb=3RA6870-4AB&lang=en)



last modified:

1/6/2021