

VW3A7608R07

braking resistor - 100 Ohm - 100 W - cable
0.75 m - IP65



Main

Range of Product	Altivar Lexium
Range Compatibility	Altivar 32 Lexium 15 Lexium 32 Lexium 32i Altivar Machine ATV320 Lexium 52 Easy Altivar 310L Easy Lexium 16
Product compatibility	ATV32H018M2 ATV32H037M2 ATV32H037N4 ATV32H055M2 ATV32H055N4 ATV32H075M2 ATV32H075N4 ATV32HU11N4 ATV32HU15N4 ATV32HU22N4 Variable speed drive ATV320 0.18 kW, 200...240 V, single phase Variable speed drive ATV320 0.37 kW, 200...240 V, single phase Variable speed drive ATV320 0.55 kW, 200...240 V, single phase Variable speed drive ATV320 0.75 kW, 200...240 V, single phase Variable speed drive ATV320 0.37 kW, 380...500 V, three phase Variable speed drive ATV320 0.55 kW, 380...500 V, three phase Variable speed drive ATV320 0.75 kW, 380...500 V, three phase Variable speed drive ATV320 1.1 kW, 380...500 V, three phase Variable speed drive ATV320 1.5 kW, 380...500 V, three phase Variable speed drive ATV320 2.2 kW, 380...500 V, three phase Variable speed drive ATV320 0.75 kW, 525...600 V, three phase Variable speed drive ATV320 1.5 kW, 525...600 V, three phase Variable speed drive ATV320 2.2 kW, 525...600 V, three phase Variable speed drive ATV310L 0.75 kW Variable speed drive ATV310L 1.5 kW Variable speed drive ATV310L 2.2 kW Variable speed drive ATV310L 3.0 kW Variable speed drive ATV310L 4.0 kW Variable speed drive ATV310L 5.5 kW Motion servo drive LXM16D 0.1 kW, 200...230 V, single phase Motion servo drive LXM16D 0.2 kW, 200...230 V, single phase Motion servo drive LXM16D 0.4 kW, 200...230 V, single phase Motion servo drive LXM16D 0.75 kW, 200...230 V, single phase Motion servo drive LXM16D 1 kW, 200...230 V, single phase Motion servo drive LXM16D 1.5 kW, 200...230 V, single phase
Product or Component Type	Braking resistor
Ohmic value	100 Ohm

The information provided in this documentation contains general descriptions and/or technical characteristics of the performance of the products contained herein. This documentation is not intended as a substitute for and is not to be used for determining suitability or reliability of these products for specific user applications. It is the duty of any such user or integrator to perform the appropriate and complete risk analysis, evaluation and testing of the products with respect to the relevant specific application or use thereof. Neither Schneider Electric Industries SAS nor any of its affiliates or subsidiaries shall be responsible or liable for misuse of the information contained herein.

Complementary

Energy peak	2700 J 480 V 3000 J 400 V 4500 J 230 V 4400 J 115 V
Average power available	25 W 122 °F (50 °C)
Continuous power	100 W
Protection Type	Thermal protection via the servo drive
Net Weight	0.90 lb(US) (0.41 kg)
Cable length	2.46 ft (0.75 m)

Environment

IP Degree of Protection	IP65
Ambient Air Temperature for Storage	-13...185 °F (-25...85 °C)
Ambient Air Temperature for Operation	32...122 °F (0...50 °C)

Ordering and shipping details

Category	US1PC5118263
Discount Schedule	PC51
GTIN	3389119210690
Returnability	No
Country of origin	DE

Packing Units

Unit Type of Package 1	PCE
Number of Units in Package 1	1
Package 1 Height	1.80 in (4.570 cm)
Package 1 Width	5.00 in (12.700 cm)
Package 1 Length	15.70 in (39.880 cm)
Package 1 Weight	21.87 oz (620.000 g)
Unit Type of Package 2	S04
Number of Units in Package 2	18
Package 2 Height	11.81 in (30.000 cm)
Package 2 Width	15.75 in (40.000 cm)
Package 2 Length	23.62 in (60.000 cm)
Package 2 Weight	26.57 lb(US) (12.052 kg)

Offer Sustainability

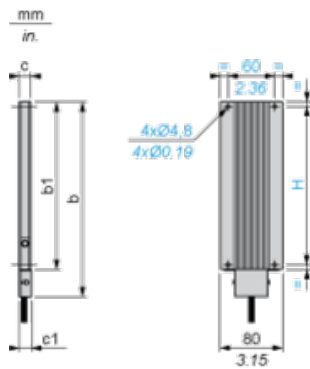
California proposition 65	WARNING: This product can expose you to chemicals including: Lead and lead compounds, which is known to the State of California to cause cancer and birth defects or other reproductive harm. For more information go to www.P65Warnings.ca.gov
REACH Regulation	 REACH Declaration
REACH free of SVHC	Yes
EU RoHS Directive	Pro-active compliance (Product out of EU RoHS legal scope)
Mercury free	Yes
China RoHS Regulation	 China RoHS Declaration
RoHS exemption information	 Yes
PVC free	Yes

Contractual warranty

Warranty	18 months
----------	-----------

Braking Resistor

Dimensions



Dimensions in mm

b	b1	c	c1	H
145	110	15	15.5	98

Dimensions in in.

b	b1	c	c1	H
5.70	4.33	0.59	0.61	3.85