

CS-HB Series Coil Suppressor

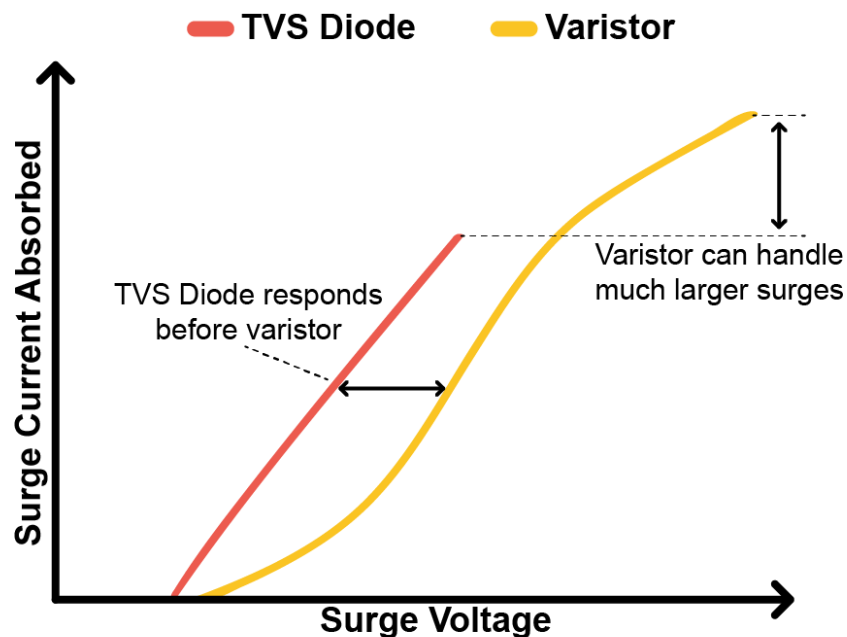
Hybrid Varistor, TVS Diode Coil Surge Suppressors

- Suppresses voltage spikes caused by switching contactor coils.
- Great for applications that require voltage clamping of high transient surge currents from sources such as lightning, inductive load switching, or capacitor bank switching
- Hybrid design extends lifetime, lowers clamping voltage, and provides good suppression for a larger range of voltage spikes
- A quick response TVS diode reduces higher frequency electrical noise from contactor coils
- The varistor handles large surges
- Offered in pre-wired, insulated packages for easy, flexible mounting that doesn't take up DIN Rail space
- Made using only UL 508 Listed Components



Why Choose a Hybrid Coil Suppressor?

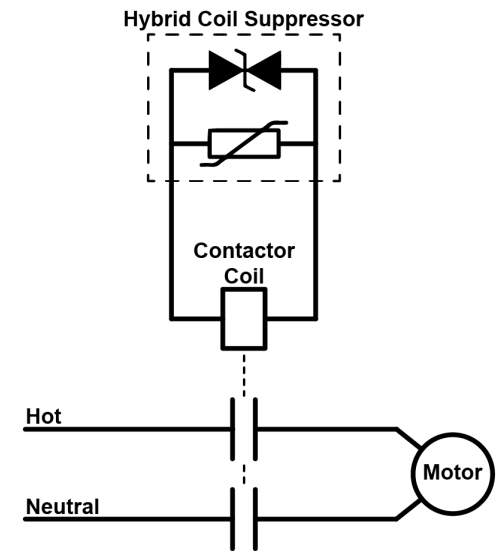
A hybrid coil suppressor combines the faster response of a TVS diode with the higher energy absorption capacity of a varistor. Lower voltage surges are suppressed by the TVS diode, reducing the load on the varistor which extends its working life. The varistor kicks in with longer, higher voltage spikes, suppressing the higher energy surge that the TVS diode cannot handle



Product Selection Guide

Part Number	Continuous AC Voltage Rating (VRMS) @ 85°C
CS-HB-25	25
CS-HB-130	130
CS-HB-275	275

This device connects parallel to a contactor coil. Please choose the coil suppressor that is rated for the contactor's coil's voltage.



Clamping Current by Device

