



## Install More Cable In Less Time

**Cable and Pull Tape Stay On Wheel**

**Levels Itself, Strapping Optional**

**Lightweight**

24" Model Weighs 40% Less Than Lightest Aluminum Model

Spring-Loaded Cable Guard Keeps Cable And Pull Tape On Wheel	→ Eliminates Delays Due To Derailing. Pulling Grips Easily Pull Through Opening
Lightweight, Reinforced Polymer Weighs Significantly Less Than Aluminum And Steel Models	→ Reduces Fatigue; One-Man Set-Up
Easy Latching Mechanism	→ Single-Handed Locking And Unlocking
High Strength, Impact Resistant	→ More Durable Than Aluminum
Chemical, UV, Corrosion Resistant	→ Longer Life
Electrically Insulated*	→ For Safety
Hoist Ring Swivels 360°, Rotates 180°	→ Unrestricted Mounting, Maneuverability

### Designed To Protect ADSS and Other Jacketed Fiber Cable During Installation

Use with jacketed cables 2" or less diameter; loads not to exceed 1600 lbs.



8" Model For Straight Pulls  
24" Model For Set Up, Take Down, Turns

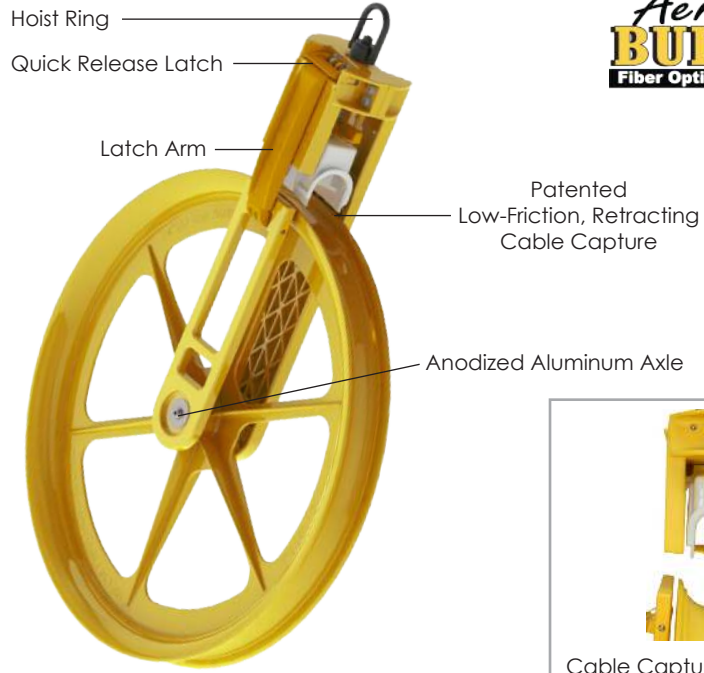


Cable Capture Prevents Pull Tape Or Cable Jumping Edge



Self Levels





**Specifications**

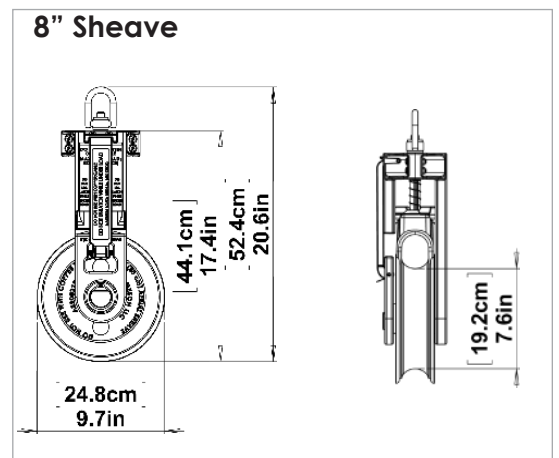
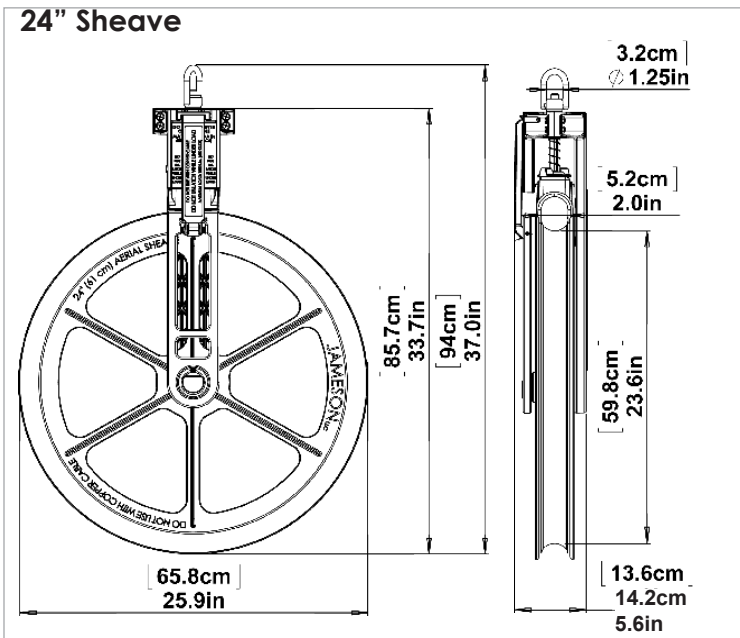
\*100 KV/Ft Dielectric Strength of Polymer Components  
Stainless Steel Fasteners

**24" Aerial Sheave:**  
Weight: 14 lbs. (6.35 kgs)  
Maximum Load Rated for 1,600 lbs.

**8" Aerial Sheave:**  
Weight: 8 lbs (3.63kgs)  
Maximum Load Rated for 1,600 lbs.



SHV-8	8" Fiber Install Sheave
SHV-24	24" Fiber Install Sheave
SHV-24-KIT	24" Sheave and Hook Accessory
SHV-HK	Slip Hook Accessory
SHV-SS	Safety Shackle Accessory



See The Aerial Buddy In Action!

