

Han-Modular Eco Punching unit

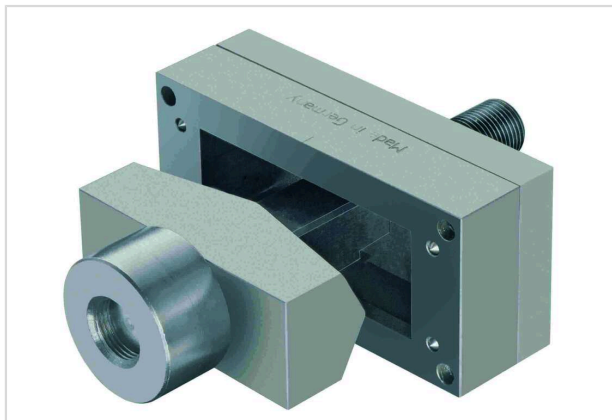


Image is for illustration purposes only. Please refer to product description.

Part number	09 99 000 0913
Specification	Han-Modular Eco Punching unit
HARTING eCatalogue	https://b2b.harting.com/09990000913

Identification

Category	Tools
Type of tool	Punching units for hydraulic punch drivers

Version

Size	Han-Modular [®] ECO
Plate thickness	≤2 mm structural grade carbon steel

Commercial data

Packaging size	1
Net weight	880 g
Country of origin	Germany
European customs tariff number	82073010
GTIN	5713140108332
eCl@ss	21049090 Hand tool (other, unspecified)