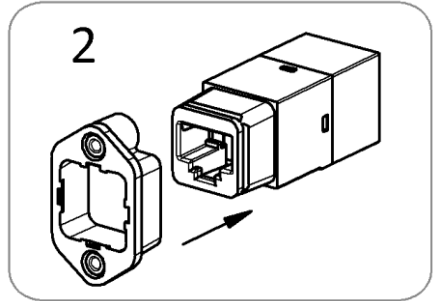
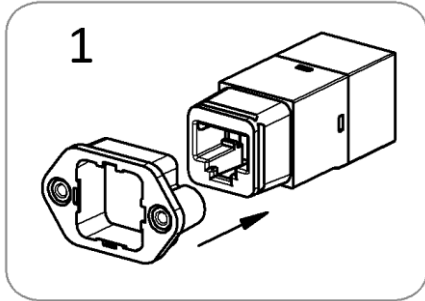


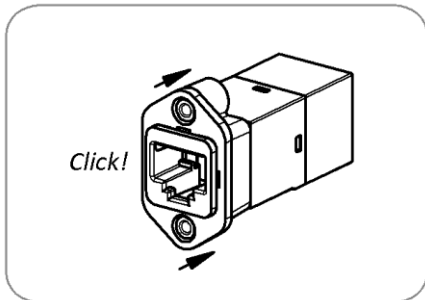
## Z-3-SF-INT

Bezel for SnapFit Network Isolators, internal

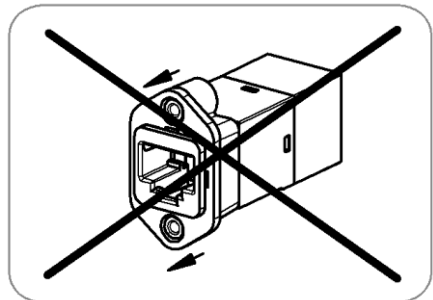
Step 1: Choose from two possible plug-in positions



Step 2: Press to lock



**Attention: Unlocking is not possible!**



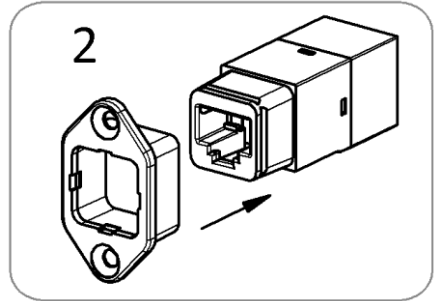
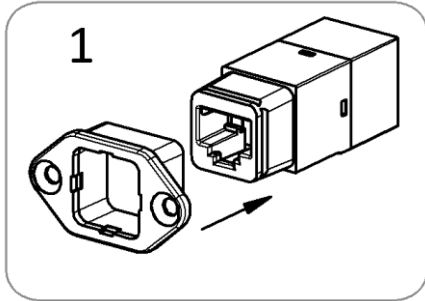
For additional Information regarding intended use, dimensions and installation of SnapFit bezels see the product data sheet of your EMOSAFE Network Isolator model.

For Z-4-SF-EXT see back page.

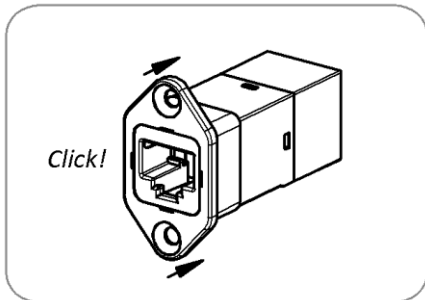
## Z-4-SF-EXT

Bezel for SnapFit Network Isolators, external

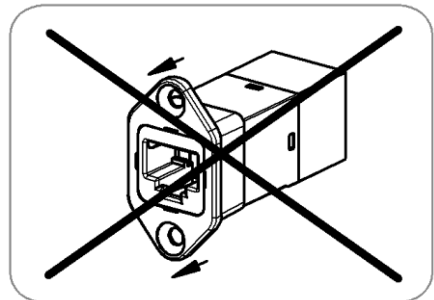
Step 1: Choose from two possible plug-in positions



Step 2: Press to lock



Attention: Unlocking is not possible!



For additional Information regarding intended use, dimensions and installation of Snap-Fit bezels see the product data sheet of your EMOSAFE Network Isolator model.

For Z-3-SF-INT see back page.