

- 1
- 2
- 3
- 4
- 5
- 6
- 7
- 8
- 9
- 10
- 11
- 12
- 13
- 14
- 15
- 16
- 17
- 18
- 19

BRACKET

Glass-fibre reinforced polyamide based (PA) technopolymer, black colour, matte finish.

BUSHINGS, WASHERS AND STOP RING

AISI 304 stainless steel.

BEARING

High quality with traceability codes. Chrome steel.

LUBRICATOR

Straight type, in nickel-plated brass with 1/8 gas thread.

PACKING RINGS

NBR rubber.

COVER

Glass-fibre reinforced polypropylene based (PP) technopolymer, RAL 7015 grey colour, matte finish.

Closed cap for head bracket or for pass-through shafts.

STANDARD EXECUTIONS

- **UCP-T**: head bracket with closed cap.
- **UCP-P**: bracket for pass-through shaft with drilled cover and NBR rubber packing ring for rotating shafts.

FEATURES AND APPLICATIONS

Overall dimensions are in compliance with ISO 3228.

A system of completely sealed packing rings assures the protection of the bearing from dirt ingress.

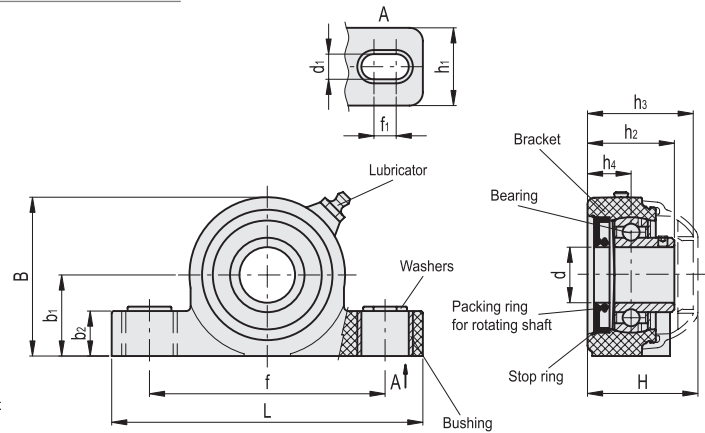
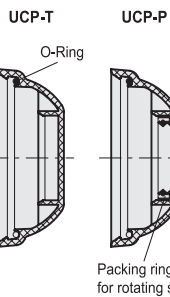
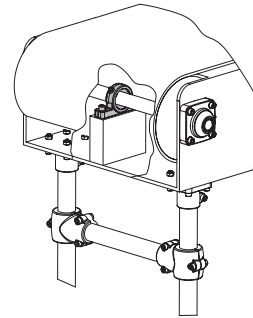
Max shaft misalignment = 2,5°.

INSTRUCTIONS OF USE

Assembly with shafts without end stops. For optimum operation, we recommend periodic lubrication with a common grease resistant to high temperatures and oxidation.

SPECIAL EXECUTIONS ON REQUEST

- AISI 440C stainless steel bearing.
 - Bearing in inch sizes.
 - Brackets for shafts with diameters in different sizes.
 - Brackets in polypropylene based (PP) technopolymer, packing rings and oil seal in VITON®*.
- * Registered trademark by DuPont Dow Elastomers.



Conversion Table	
1 mm = 0.039 inch	
d	
mm	inch
25	0.98
30	1.17

UCP-T

Code	Description	d	d1	f1	H	L	B	f	b1	b2	h1	h2	h3	h4	Bearing static load [N]	Bearing dynamic load [N]	Bracket load [N]	⚖
419553	UCP.205-C-25-T	25	13	10	51.7	140	71.5	106	36.5	20	35	39	49	19.6	7000	14000	6000	363
419563	UCP.206-C-30-T	30	13	10	55.7	163	84.5	121	43	20	36	41.7	53	20.7	11000	19000	9000	520

UCP-P

Code	Description	d	d1	f1	H	L	B	f	b1	b2	h1	h2	h4	Bearing static load [N]	Bearing dynamic load [N]	Bracket load [N]	⚖
419533	UCP.205-C-25-P	25	13	10	51.7	140	71.5	106	36.5	20	35	39	19.6	7000	14000	6000	371
419543	UCP.206-C-30-P	30	13	10	55.7	163	84.5	121	43	20	36	41.7	20.7	11000	19000	9000	526