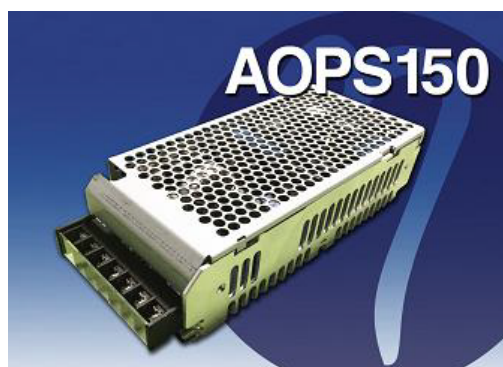


## AOPS150 Series

## 150 Watt AC/DC Power Supply



Universal Input  
 Inrush current protection  
 Over Voltage Protection  
 Over Current Protection  
 CE recognized  
 2 year Warranty



		UNIT		
<b>INPUT</b>	<b>Voltage/Freq</b>	V	AC100V - 240V (AC85V ~ 264V or DC125V~ 370V), 50 / 60Hz (47 ~ 440Hz) Universal Input voltage	
	<b>Current Typ. 110V</b>	A	1.3	2.0
	<b>220V</b>		0.65 @ 3.3 VDC	1.0
	<b>Power Fac 110V</b>	-	0.98	0.99
	<b>220V</b>		0.91 @ 3.3VDC	0.95 all other voltages
	<b>Inrush Current</b>	A	110V 20 ( Ta=25 , Io=100% at cold Start ); 220V 40 ( Ta=25 , Io=100% at cold Start )	
	<b>Leakage</b>	mA	110V=0.4	220V=0.75

		UNIT	AOPS150-3.3	AOPS150-5	AOPS150-9	AOPS150-12
<b>OUTPUT</b>	<b>Nominal Voltage</b>	VDC	3.3	5	9	12
	<b>Efficiency typ</b>	%	77	80	83	82
			80	82	85	86
	<b>Current</b>	A	30	30	16.7	12.5
	<b>Line Regulation</b>	mV	25	25	45	60
	<b>Load Regulation</b>	mV	50	50	90	120
	<b>Ripple</b>	mVp-p	80	80	90	120
	<b>Ripple Noise maximum</b>	mVp-p	120	120	140	170
	<b>Temperature Drift [0-+50C]</b>	mV	50	75	135	180
	<b>Rise Time</b>	mS	500 max [AC IN 85 V <sub>o</sub> =100%]			
	<b>Hold up Time</b>	mS	17 typ [AC IN 85V, I <sub>o</sub> =100%]			
	<b>OVP</b>	-	3.8-4.6	5.7-7.0	10.3-12.6	13.8-16.8
	<b>OCP</b>	-	33.0-43.5	33.0-43.5	18.3-43.5	13.7-18.1
	<b>Remote ON OFF</b>		-	-	-	-
	<b>Remote Sensing</b>		-	-	-	-
	<b>Power Fail Signal</b>		-	-	-	-
	<b>Parallel/Series Operation</b>		Series operation possible			
	<b>Cooling OTP</b>		Convection Cooling			



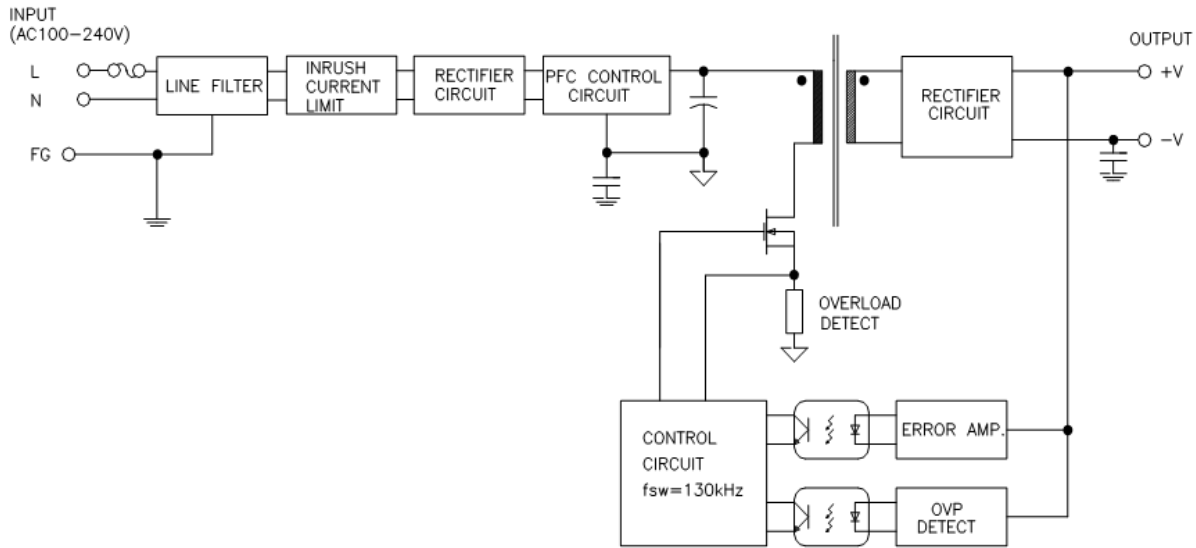
		UNIT	AOPS150-15	AOPS150-24	AOPS150-48
<b>OUTPUT</b>	<b>Nominal Voltage</b>	VDC	15	24	48
	<b>Efficiency typ</b>	%	83	85	87
			87	88	89
	<b>Current</b>	A	10	6.3	3.2
	<b>Line Regulation</b>	mV	75	120	240
	<b>Load Regulation</b>	mV	150	240	480
	<b>Ripple</b>	mVp-p	150	240	480
	<b>Ripple Noise maximum</b>	mVp-p	200	290	530
	<b>Temperature Drift [0-+50C]</b>	mV	225	360	720
	<b>Rise Time</b>	mS	500 max [AC IN 85 I <sub>o</sub> =100%]		
	<b>Hold up Time</b>	mS	17 typ [AC IN 85V, I <sub>o</sub> =100%]		
	<b>OVP</b>	-	17.2-21.	27.6-33.6	55.2-67.2
	<b>OCP</b>	-	11.0-14.5	6.9-9.1	3.5-4.7
	<b>Remote ON OFF</b>		-	-	-
	<b>Remote Sensing</b>		-	-	-
	<b>Power Fail Signal</b>		-	-	-
	<b>Parallel/Series Operation</b>		Series operation possible		
<b>Cooling OTP</b>		Convection Cooling			

<b>Isolation</b>	<b>Input-Output</b>	AC 3,000V 1 minute current 20mA, DC 500V 50MΩ (At room temperature & Humidity)	
	<b>Input-Case</b>	AC 2,000V 1 minute current 20mA, DC 500V 50MΩ (At room temperature & Humidity)	
	<b>Output-Case</b>	AC 500V 1 minute current 100mA, DC 500V 50MΩ (At room temperature & Humidity)	
<b>Environment</b>	<b>Operating temp/hum</b>	-10 ~ +70 , 20 ~ 90% RH(Non condensing)	
	<b>Storage temp/hum</b>	-20 ~ +75 , 20 ~ 90% RH(Non condensing)	
	<b>Vibration</b>	10 ~ 55Hz at 1G, 3 minutes period, 30 minutes along X, Y and Z axis	
	<b>Impact</b>	10G for 20ms once on each X, Y and Z axis	
<b>Safety</b>	<b>RU/CE</b>	RU	
	<b>Line Emission</b>	EN55022-A	
<b>Size</b>	<b>MM/G</b>	82x45x175	560 grams





## BLOCK DIAGRAM



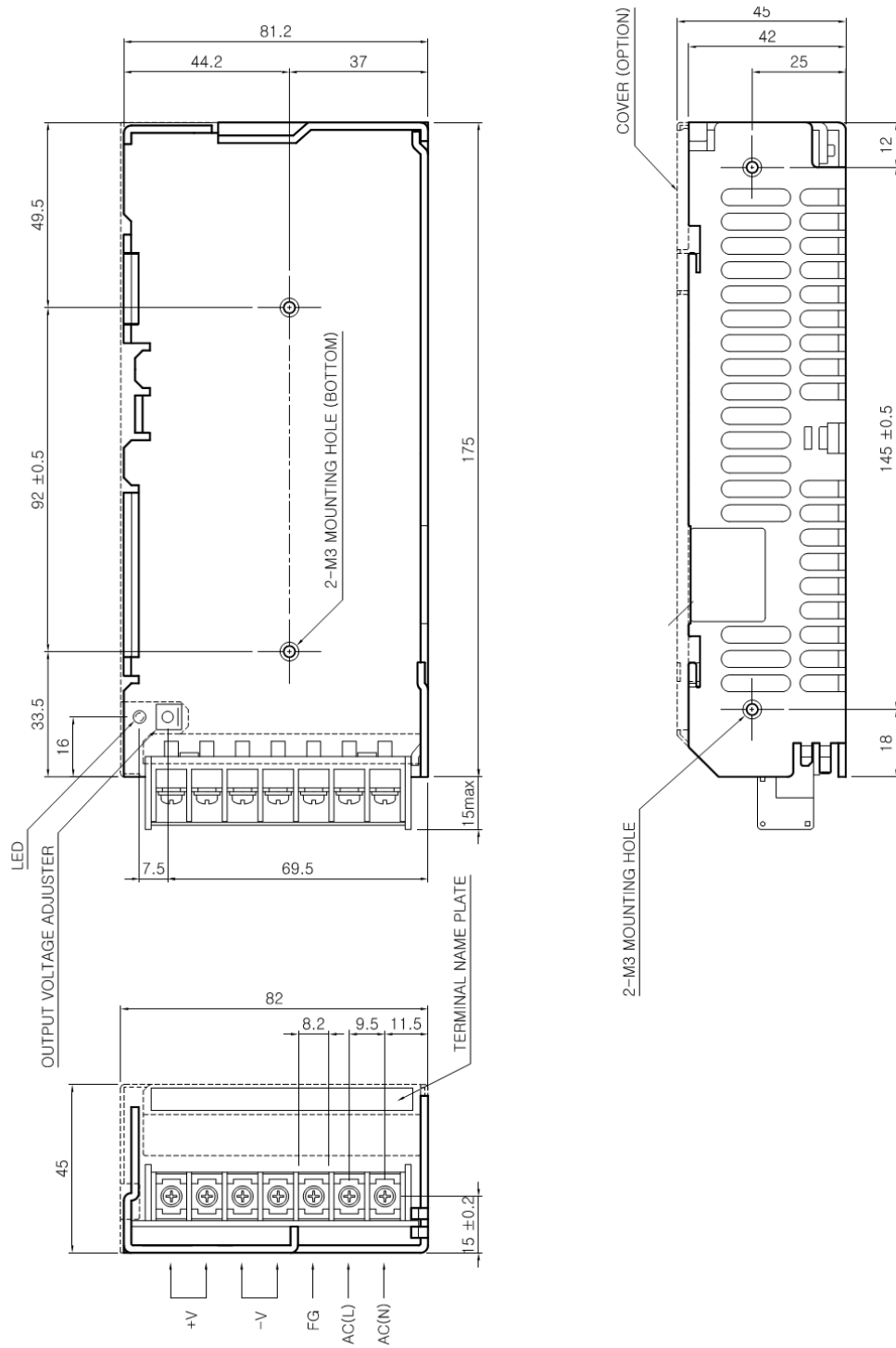
## Terminal Output

Mark	Pin Connection	Function
L	AC L	AC Terminal ( Fuse in Line)
N	AC N	AC Terminal
F.G	Frame ground	AC CASE
+V	DC Output (+)	DC (+) Terminal
-V	DC Output (-)	DC (-) Terminal





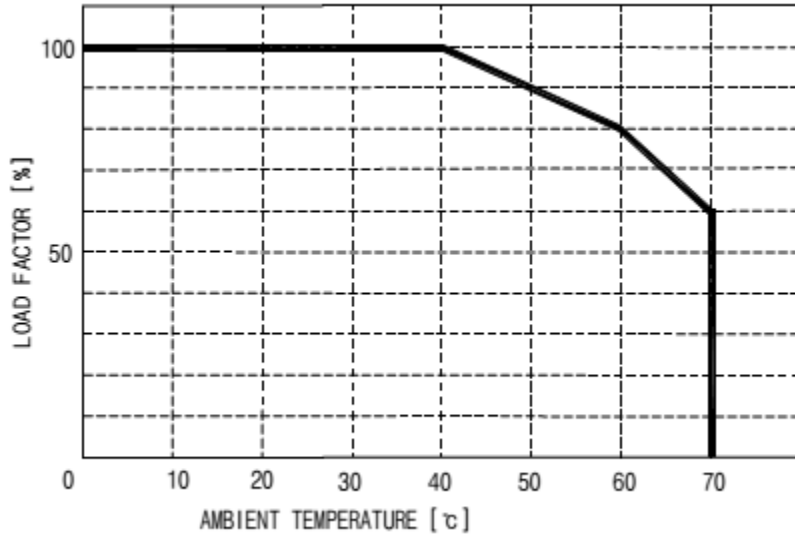
## DIMENSIONAL DRAWING (mm)



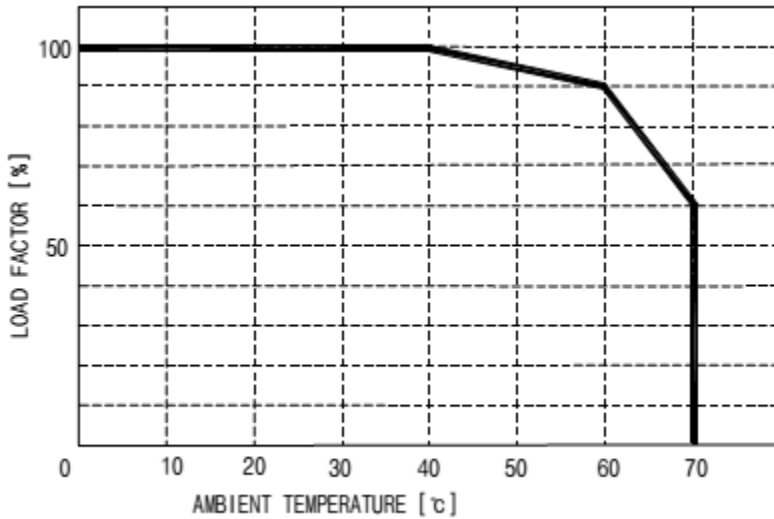


## OUTPUT DERATING CURVE AND RECCOMENDED MOUNTING DIAGRAM

### AOPS150-5

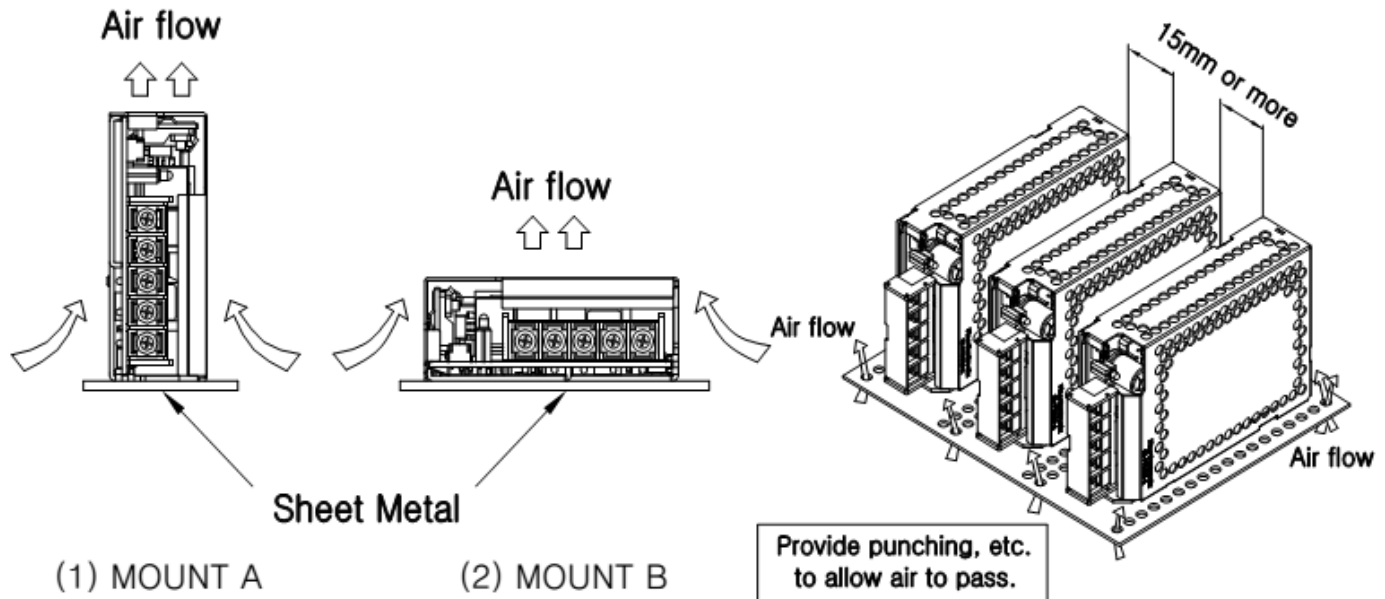
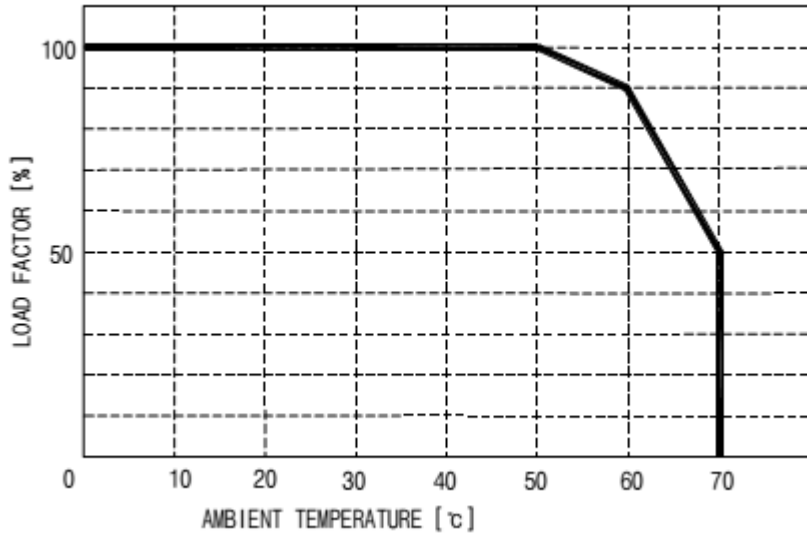


### AOPS150-12





## AOPS150-24





## SERIES WIRING DIAGRAM

