

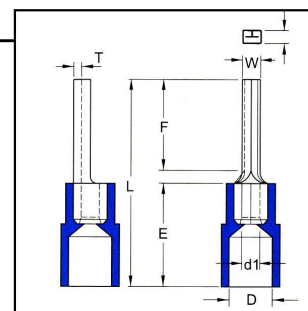
Nylon Insulated Wire Pins

Material: Tin Plated Copper

Insulation: Nylon

Maximum Electrical Rating: 75°C, 600V

Barrel Type: Butted Seam



T= Material Thickness

HOFFMAN PART NO.	WIRE SIZE	AMPS	DIMENSIONS (INCHES)								UL	TAPE MOUNTED REEL QTY	DIE FOR TAPE MOUNT	HAND TOOL
			F	W	L	E	D	d1	T					
FNPC2216	22-16	9 - 18	0.472	0.075	0.898	0.433	0.157	0.067	0.031	Y	1000	3V2216		
FNPC1614	16-14	18 - 30	0.472	0.075	0.898	0.433	0.177	0.091	0.031	Y	1000	3V1614	YNM2210	
FNPC1210	12-10	35 - 50	0.551	0.110	1.063	0.512	0.252	0.134	0.039	Y	500	3V1210		

