

172006-1 ACTIVE

AMP

TE Internal #: 172006-1

2 Position, Natural, -4 - 221 °F [-20 - 105 °C]

[View on TE.com >](#)



Connectors > Automotive Connectors > Automotive Housings



Number of Positions: 2

Sealable: No

Mating Tab Width: 7.4 mm [.291 in]

Number of Rows: 1

Primary Product Color: Natural

Features

Product Type Features

Sealable	No
Primary Locking Feature	Integrated in Housing

Configuration Features

Number of Positions	2
Number of Rows	1

Electrical Characteristics

Nominal Voltage Architecture	250 V
------------------------------	-------

Body Features

Primary Product Color	Natural
-----------------------	---------

Contact Features

Mating Tab Width	7.4 mm [.291 in]
Contact Current Rating (Max)	3 A

Usage Conditions

Operating Temperature (Max)	105 °C [221 °F]
-----------------------------	-----------------



Operating Temperature Range -20 - 105 °C[-4 - 221 °F]

Other

Connector Position Assurance Capable No

Product Compliance

[For compliance documentation, visit the product page on TE.com>](#)

EU RoHS Directive 2011/65/EU Compliant

EU ELV Directive 2000/53/EC Compliant

China RoHS 2 Directive MIIT Order No 32, 2016 No Restricted Materials Above Threshold

EU REACH Regulation (EC) No. 1907/2006
 Current ECHA Candidate List: JAN 2024 (240)
 Candidate List Declared Against: JAN 2024 (240)
 Does not contain REACH SVHC

Halogen Content Low Halogen - Br, Cl, F, I < 900 ppm per homogenous material. Also BFR/CFR/PVC Free

Solder Process Capability Not applicable for solder process capability

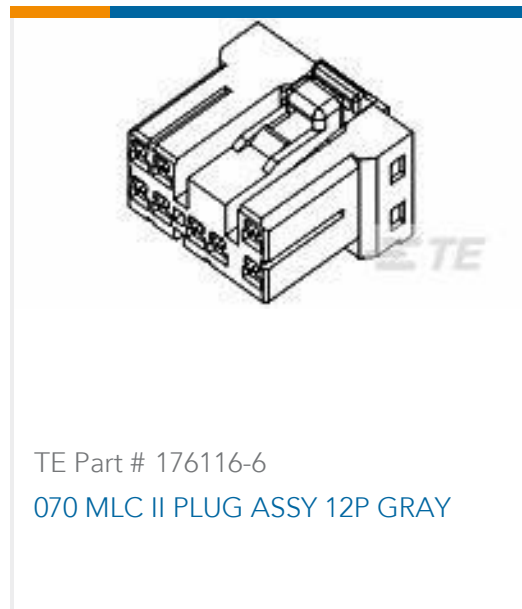
Product Compliance Disclaimer

This information is provided based on reasonable inquiry of our suppliers and represents our current actual knowledge based on the information they provided. This information is subject to change. The part numbers that TE has identified as EU RoHS compliant have a maximum concentration of 0.1% by weight in homogenous materials for lead, hexavalent chromium, mercury, PBB, PBDE, DBP, BBP, DEHP, DIBP, and 0.01% for cadmium, or qualify for an exemption to these limits as defined in the Annexes of Directive 2011/65/EU (RoHS2). Finished electrical and electronic equipment products will be CE marked as required by Directive 2011/65/EU. Components may not be CE marked. Additionally, the part numbers that TE has identified as EU ELV compliant have a maximum concentration of 0.1% by weight in homogenous materials for lead, hexavalent chromium, and mercury, and 0.01% for cadmium, or qualify for an exemption to these limits as defined in the Annexes of Directive 2000/53/EC (ELV). Regarding the REACH Regulation, the information TE provides on SVHC in articles for this part number is based on the latest European Chemicals Agency (ECHA) 'Guidance on requirements for substances in articles' posted at this URL: <https://echa.europa.eu/guidance-documents/guidance-on-reach>

Compatible Parts



Customers Also Bought



Documents

Product Drawings

SPARK SUPPRESSER CONNECTOR

Japanese

CAD Files

3D PDF

English

Customer View Model

[ENG_CVM_172006-1_C.2d_dxf.zip](#)

English

Customer View Model

[ENG_CVM_172006-1_C.3d_igs.zip](#)

English

Customer View Model

[ENG_CVM_172006-1_C.3d_stp.zip](#)

English

By downloading the CAD file I accept and agree to the [Terms and Conditions](#) of use.

Product Specifications



Product Specification

English

Spark Suppressor Connector

English

Agency Approvals

UL Report

English