

## Data sheet

Page 1/5

### E-DAT Industry IP67 V14 mounting flange, normative mounting

P/N  
14010833COMM  
EAN 4250184123712  
2022/10/11  
Version: O

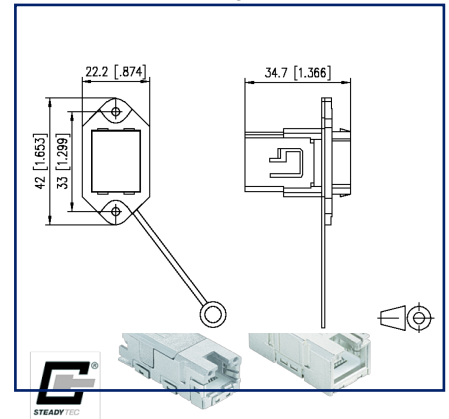
#### Illustrations



Katalogbild



Dimensional drawing



See enlarged drawings at the end of document

#### Product specification

- flange with push-pull-lock acc. to ISO/IEC 24702 and IEC 61076-3-117 var. 14
- IP67 protected housing for receiving E-DAT Industry flange inserts
- easy to mount due to standard fastening by means of two screws (M3), not included in scope of delivery
- mounting from the front
- industry-compatible metal housing with improved durability
- flammability class as per UL 94V-0
- improved resistance to chemical substances
- grounding possible on RJ45 insert using 2.8 mm contact pins
- matching inserts: E-DAT Industry RJ45 field jack insert (T568A, T568B or Profinet), E-DAT Industry RJ45 coupler insert or E-DAT Industry USB coupler insert

## E-DAT Industry IP67 V14 mounting flange, normative mounting

P/N

14010833COMN

EAN 4250184123712

2022/10/11

Version: O

### Technical Data

#### General Data

Fields of application	harsh environment
Mechanical measurement according to MICE	M1
Ingress measurement according to MICE	I1
Climatic measurement according to MICE	C1
Electromagnetic measurement according to MICE	E3
Design	flange housings
Mounting style	front side
Color	metallike
Dimensions	
Dimension (L x W x H)	34.7 mm x 22.2 mm x 42 mm
Dimension (L x W x H)	1.366 in. x 0.874 in. x 1.654 in.

#### Connections/interfaces

Number of ports interface 2	1
Number of ports interface 2 equipped	0
Protective housing interface 1	V14
Protective housing interface 2	V14
Module plug-in direction	straight
Cable access/outlet	180°

#### Mechanical data

Mounting method	with screws
-----------------	-------------

#### Materials and material properties

Material - Protective housing	GD-Zn (zinc die-cast)
Material - Protective housing finish	Ni (nickel)
Material - Protective housing seal	EPDM (ethylene-propylene-diene)
RoHS	compliant

## E-DAT Industry IP67 V14 mounting flange, normative mounting

P/N

14010833COMN

EAN 4250184123712

2022/10/11

Version: O

### Technical Data

#### Environmental conditions

Temperature (min. - max.)

Temperature - Storage °C -40 °C - 70 °C

Temperature - Storage °F -40 °F - 158 °F

Temperature - Operating °C -40 °C - 70 °C

Temperature - Operating °F -40 °F - 158 °F

Particulate ingress IP6X

Liquid ingress/immersion IPX7

General information This product is suitable for use in industrial environments inside buildings with IPxy protection class according to DIN EN 60529 specified in this data sheet. Not specified for outdoor applications.

#### Standards/Regulations

Generic cabling systems

Industrial area ISO/IEC 24702

Degrees of Protection Provided by Enclosures IEC 60529

Connectors for electronic equipment

Rectangular connectors DIN EN 61076-3-117

#### Classifications

ETIM 5.0 EC002597

ETIM 6.0 EC002597

ETIM 7.0 EC000437

ETIM 8.0 EC000437

#### Packing details

Type of packaging 10 pc(s) / box

Packaging unit - Weight (gram) 436 g

Packaging unit - Weight (pound) 0.96 lb

Packaging dimension 258 mm x 164 mm x 51 mm

Packaging dimension 10.157 in. x 6.457 in. x 2.008 in.

**E-DAT Industry IP67 V14 mounting flange, normative mounting**

P/N

14010833COMN

EAN 4250184123712

2022/10/11

Version: O

**Accessories**

P/N	Designation
1401100810MI	E-DAT Industry RJ45 field jack insert Cat.6 Class E <sub>A</sub> , T568A
1401200810MI	E-DAT Industry RJ45 coupler insert Cat.6 Class E
1401800810MI	E-DAT Industry RJ45 field jack insert Cat.6 Class E <sub>A</sub> , T568B
1401900810MI	E-DAT Industry RJ45 field jack insert Cat.6 Class E <sub>A</sub> , PROFINET
1401U00812KI	E-DAT Industry USB A 2.0 adapter insert
1401U10812KI	E-DAT Industry USB A 3.0 adapter insert



# P | Cabling

Data sheet

Page 5/5

## E-DAT Industry IP67 V14 mounting flange, normative mounting

P/N

14010833COMN

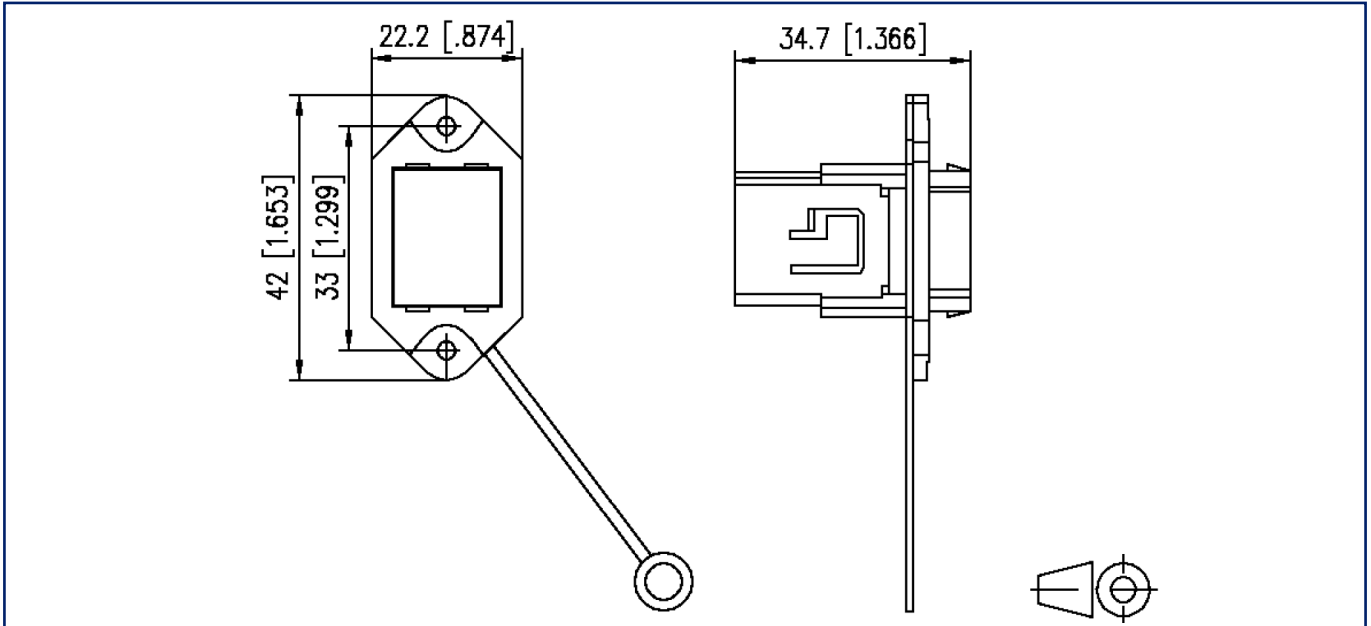
EAN 4250184123712

2022/10/11

Version: O

### Illustrations

Dimensional drawing



Cut-out

