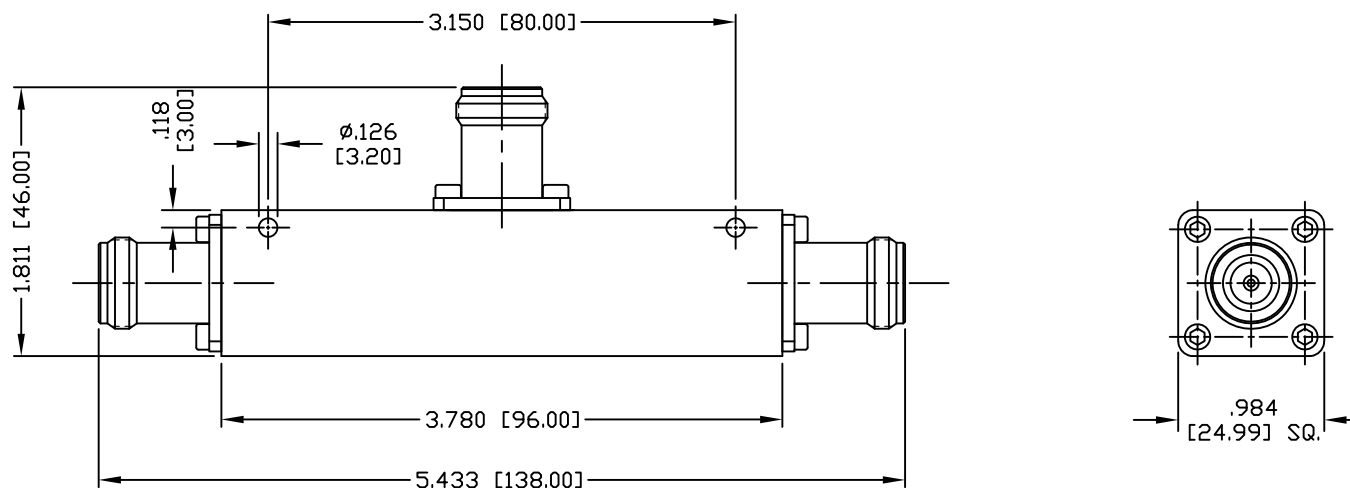


PART NO.

RFPT-NF-PS30

REV	DESCRIPTION	DWN	DATE	APPROVED
-	ENGINEERING RELEASE	CZ	08/20/21	JDM

**SPECIFICATIONS:**

IMPEDANCE: 50 Ohms

FREQUENCY BAND: 138-960 MHz

POWER: 200 WATT

INSERTION LOSS:

-30.7±1.0 @ 138-200 MHz

-30.1±1.0 @ 200-250 MHz

-30.1±1.0 @ 250-380 MHz

-30.1±1.0 @ 380-520 MHz

-30.1±0.8 @ 698-960 MHz

NOMINAL RATIO: 1000:1/30dB

OUTPUT SPLIT: -0.3/30.1

VSWR: 1.25 @ 138-380

VSWR: 1.25 @ 380-960

OPERATION TEMPERATURE: -35°C ~ +75°C

HUMIDITY: 5-95%

COLOR: RED

APPLICATION: INDOOR/OUTDOOR IP65

COMPLIANCE: RoHS

WEIGHT: 0.53 lbs

CUSTOMER
OUTLINE DRAWINGALL DIMENSIONS
ARE REFERENCE ONLYUNLESS OTHERWISE SPECIFIED:
DIMENSIONS ARE IN INCHES
AND [MILLIMETERS]DRAWN
C. ZUÑIGA 08/20/21

CHECKED

ORJ DRAWN
C. ZUÑIGA 08/20/21

PROPRIETARY AND CONFIDENTIAL

THIS DRAWING CONTAINS
INFORMATION PROPRIETARY
TO RF INDUSTRIES, ANY
UNAUTHORIZED USE OF
THIS DRAWING IS
EXPRESSLY PROHIBITED
WITHOUT WRITTEN
PERMISSION FROM RF
INDUSTRIES, ANY
VIOLATION IS PUNISHABLE
UNDER U.S. COPYRIGHT
LAWS.**RFconnectors**
DIVISION OF RF INDUSTRIES, LTD.7610 MIRAMAR RD.
SAN DIEGO, CA 92126
(858) 549-6340
(858) 549-6345 FAX**30 dB POWER TAPPER**
N FEMALE - 138-960 MHz

SIZE	CABLE GROUP	DWG NO.	REVISION
A		RFPT-NF-PS30	—
SCALE: NTS		ENGINEERING ID: 2000010	SHEET 1 OF 1