

VAL-MS-T1/T2 BE-FM - Base element



2801047

<https://www.phoenixcontact.com/us/products/2801047>

Please be informed that the data shown in this PDF document is generated from our online catalog. Please find the complete data in the user documentation. Our general terms of use for downloads are valid.

Base element for type 1/2 arresters from the VALVETRAB MS T1/T2 product range, with remote indication contact. Version: 1-channel



Commercial data

| | |
|--------------------------------------|---------------|
| Item number | 2801047 |
| Packing unit | 10 pc |
| Minimum order quantity | 10 pc |
| Sales key | CL18 |
| Product key | CL1151 |
| GTIN | 4046356698146 |
| Weight per piece (including packing) | 82.21 g |
| Weight per piece (excluding packing) | 82 g |
| Customs tariff number | 85366990 |
| Country of origin | TR |

VAL-MS-T1/T2 BE-FM - Base element



2801047

<https://www.phoenixcontact.com/us/products/2801047>

Technical data

Product properties

| | |
|--------------------------------|---------------------------------|
| Product type | Base element |
| Product family | VALVETRAB MS |
| IEC test classification | I / II T1 / T2 |
| Type | Base element, DIN rail mounting |
| Number of positions | 1 |
| Surge protection fault message | Remote indication contact |

Insulation characteristics

| | |
|----------------------|-----|
| Overvoltage category | III |
| Pollution degree | 2 |

Electrical properties

| | |
|-------------------------|---------------|
| Nominal frequency f_N | 50 Hz (60 Hz) |
|-------------------------|---------------|

Indicator/remote signaling

| | |
|--------------------|--|
| Connection name | Remote fault indicator contact |
| Switching function | Changeover contact |
| Operating voltage | 5 V AC ... 250 V AC 30 V DC (200 mA DC) |
| Operating current | 5 mA AC ... 1 A AC 1 A DC (30 V DC) |

Connection data

| | |
|----------------------------------|---|
| Connection method | Screw connection |
| Screw thread | M5 |
| Tightening torque | 3 Nm (1.5 mm ² ... 16 mm ²) 4.5 Nm (25 mm ² ... 35 mm ²) |
| Stripping length | 16 mm |
| Conductor cross section flexible | 1.5 mm ² ... 25 mm ² |
| Conductor cross section rigid | 1.5 mm ² ... 35 mm ² |
| Conductor cross section AWG | 15 ... 2 |
| Connection method | Fork-type cable lug |
| Conductor cross section flexible | 1.5 mm ² ... 16 mm ² |

Remote fault indicator contact

| | |
|----------------------------------|--|
| Connection method | Plug-in/screw connection via COMBICON |
| Screw thread | M2 |
| Tightening torque | 0.25 Nm |
| Stripping length | 7 mm |
| Conductor cross section flexible | 0.14 mm ² ... 1.5 mm ² |
| Conductor cross section rigid | 0.14 mm ² ... 1.5 mm ² |

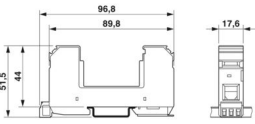
VAL-MS-T1/T2 BE-FM - Base element

2801047

<https://www.phoenixcontact.com/us/products/2801047>

| | |
|-----------------------------|-----------|
| Conductor cross section AWG | 28 ... 16 |
|-----------------------------|-----------|

Dimensions

| | |
|---------------------|--|
| Dimensional drawing |  |
| Width | 17.6 mm |
| Height | 96.8 mm |
| Depth | 51.5 mm (incl. DIN rail 7.5 mm) |
| Horizontal pitch | 1 Div. |

Material specifications

| | |
|--|------------------|
| Color | black (RAL 9005) |
| | black (RAL 9005) |
| Flammability rating according to UL 94 | V-0 |
| CTI value of material | 600 |
| Insulating material | PA 6.6 |
| Material group | I |
| Housing material | PA 6.6 |

Mechanical properties

Mechanical data

| | |
|-----------------|----|
| Open side panel | No |
|-----------------|----|

Protective circuit

| | |
|---|---------------------------------|
| Nominal frequency f_N | 50 Hz (60 Hz) |
| Maximum continuous voltage U_C | 500 V AC |
| Rated load current I_L | 80 A |
| Short-circuit current rating I_{SCCR} | 25 kA |
| Max. backup fuse with V-type through wiring | 80 A (gG - 16 mm ²) |
| Max. backup fuse with branch wiring | 250 A (gG) |

Environmental and real-life conditions

Ambient conditions

| | |
|---|---|
| Degree of protection | IP20 (only when all terminal points are used) |
| Ambient temperature (operation) | -40 °C ... 80 °C |
| Ambient temperature (storage/transport) | -40 °C ... 80 °C |
| Altitude | ≤ 2000 m (amsl) |
| Permissible humidity (operation) | 5 % ... 95 % |
| Shock (operation) | 30g (Half-sine / 11 ms / 3x ±X, ±Y, ±Z) |
| Vibration (operation) | 7.5g (10 ... 500 Hz / 2.5 h / X, Y, Z) |

VAL-MS-T1/T2 BE-FM - Base element



2801047

<https://www.phoenixcontact.com/us/products/2801047>

Standards and regulations

| | |
|--------------------------|--------------|
| Standards/specifications | IEC 61643-11 |
| Note | 2011 |
| Standards/specifications | EN 61643-11 |
| Note | 2012 |

Mounting

| | |
|---------------|-----------------|
| Mounting type | DIN rail: 35 mm |
|---------------|-----------------|

VAL-MS-T1/T2 BE-FM - Base element

2801047

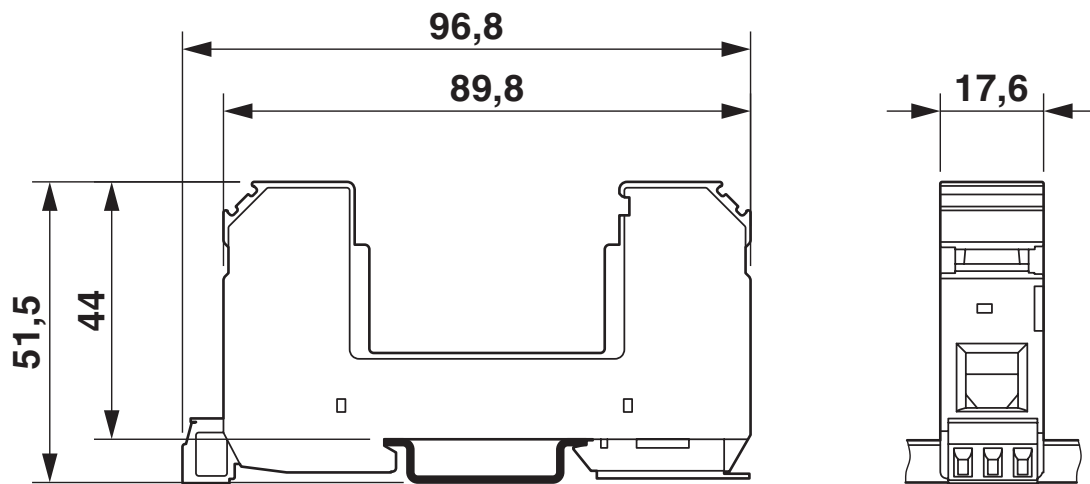
<https://www.phoenixcontact.com/us/products/2801047>

Drawings

Circuit diagram



Dimensional drawing



VAL-MS-T1/T2 BE-FM - Base element



2801047

<https://www.phoenixcontact.com/us/products/2801047>

Approvals

🔗 To download certificates, visit the product detail page: <https://www.phoenixcontact.com/us/products/2801047>

UAE-RoHS

Approval ID: 23-10-88705

VAL-MS-T1/T2 BE-FM - Base element



2801047

<https://www.phoenixcontact.com/us/products/2801047>

Classifications

ECLASS

| | |
|-------------|----------|
| ECLASS-11.0 | 27130803 |
| ECLASS-13.0 | 27171292 |

ETIM

| | |
|----------|----------|
| ETIM 9.0 | EC002496 |
|----------|----------|

UNSPSC

| | |
|-------------|----------|
| UNSPSC 21.0 | 39121600 |
|-------------|----------|

VAL-MS-T1/T2 BE-FM - Base element



2801047

<https://www.phoenixcontact.com/us/products/2801047>

Environmental product compliance

EU RoHS

| | |
|---|--------------------|
| Fulfills EU RoHS substance requirements | Yes, No exemptions |
|---|--------------------|

China RoHS

| | |
|--|--|
| Environment friendly use period (EFUP) | EFUP-E |
| | No hazardous substances above the limits |

EU REACH SVHC

| | |
|-------------------------------------|----------------------------|
| REACH candidate substance (CAS No.) | No substance above 0.1 wt% |
|-------------------------------------|----------------------------|

VAL-MS-T1/T2 BE-FM - Base element



2801047

<https://www.phoenixcontact.com/us/products/2801047>

Accessories

SZK PZ2 VDE - Screwdriver

1206463

<https://www.phoenixcontact.com/us/products/1206463>



Screwdriver, PZ crosshead, VDE insulated, size: PZ 2 x 100 mm, 2-component grip, with non-slip grip

Phoenix Contact 2024 © - all rights reserved
<https://www.phoenixcontact.com>

Phoenix Contact USA
586 Fulling Mill Road
Middletown, PA 17057, United States
(+717) 944-1300
info@phoenixcon.com