

# UPS-BAT/PB/24DC/1.2AH - Battery module



1274520

<https://www.phoenixcontact.com/us/products/1274520>

Please be informed that the data shown in this PDF document is generated from our online catalog. Please find the complete data in the user documentation. Our general terms of use for downloads are valid.



Battery module, VRLA-AGM, 24 V DC, 1.2 Ah, automatic detection and communication with QUINT UPS-IQ

## Product description

For continuous monitoring and intelligent management, there is constant communication with the QUINT UPS. Thanks to automatic detection of the battery module and tool-free switching during operation, quick installation is possible. The battery modules for QUINT UPS with IQ Technology are fully charged before being sent to our warehouse.

## Your advantages

- Maximum buffer times
- Lead AGM (Absorbent Glass Mat) technology

## Commercial data

Item number	1274520
Packing unit	1 pc
Minimum order quantity	1 pc
Sales key	CM24
Product key	CMUEV3
GTIN	4063151466640
Weight per piece (including packing)	2,275 g
Weight per piece (excluding packing)	1,700 g
Customs tariff number	85072080
Country of origin	CN

# UPS-BAT/PB/24DC/1.2AH - Battery module



1274520

<https://www.phoenixcontact.com/us/products/1274520>

## Technical data

### Notes

#### General

Note on the battery	This product contains a battery with a limited shelf life that must be charged every few months. The product packaging indicates when the battery must be started up or recharged. The general shelf life can be found in the technical data area under "Latest startup".
---------------------	---

### Energy storage

#### Input

Input voltage	24 V DC (SELV)
Nominal capacity	1.2 Ah
Charging current	0.36 A
End-of-charge voltage	27.6 V DC (20 °C)

#### Output

Output voltage	24 V DC
Output current	max. 15 A
Output fuse	1x 15 A
Buffer time	20 min. (2 A) 5 min. (5 A)

#### General

Connection in parallel	yes max. 5
Connection in series	no
Battery type	BB Battery BP1.2-12FR
Battery technology	VRLA-AGM
IQ-Technology	yes
Latest startup date (battery only)	3 Months (0 °C ... 20 °C) 1 Months (30 °C ... 40 °C)
Latest startup (battery only) - range	1 Months ... 3 Months (20 °C ... 30 °C)
Accumulator module service life (according to Eurobat)	6 (20 °C)
Size designation	Block
Battery pack	yes
Suitable for fast charging	yes
Temperature sensor	yes
Number of replacement battery kits	1x (UPS-BAT-KIT/PB/2X12V/1.2AH (1283114))

### Product properties

Product type	Battery module
Product family	Battery module

# UPS-BAT/PB/24DC/1.2AH - Battery module



1274520

<https://www.phoenixcontact.com/us/products/1274520>

Application	for QUINT4 DC-UPS, QUINT-UPS, and TRIO-UPS-2G
Disposal	Used batteries must not be thrown away with household waste, they should instead be disposed of in accordance with applicable national regulations.

## Insulation characteristics

Protection class	III
Degree of pollution	2

## Dimensions

### Item dimensions

Width	54 mm
Height	157 mm
Depth	113 mm

### Drill hole

Diameter	5 mm
----------	------

### Installation dimensions

Installation distance right/left	0 mm / 0 mm
Installation distance top/bottom	5 mm / 5 mm

## Mounting

Mounting position	horizontal DIN rail NS 35, EN 60715
-------------------	-------------------------------------

## Material specifications

Housing material	Metal
Type of housing	Galvanized sheet steel, powder-coated

## Environmental and real-life conditions

### Ambient conditions

Degree of protection	IP20
Ambient temperature (storage/transport)	-20 °C ... 40 °C
Ambient temperature (charge)	0 °C ... 40 °C
Ambient temperature (discharge)	-20 °C ... 50 °C
Max. permissible relative humidity (operation)	≤ 95 %
Shock	15g, 11 ms, in each space direction (in accordance with IEC 60068-2-27)
Vibration (operation)	5 Hz ... 100 Hz, 0.7g (in accordance with DNV/IEC 600068-2-6)

## Approvals

### UL

Identification	UL/C-UL Listed UL 61010-1
----------------	---------------------------

### UL

Identification	UL/C-UL Listed ANSI/UL 121201 Class I, Division 2, Groups A,
----------------	--

# UPS-BAT/PB/24DC/1.2AH - Battery module



1274520

<https://www.phoenixcontact.com/us/products/1274520>

	B, C, D (Hazardous Location)
--	------------------------------

## Shipbuilding

Identification	DNV
----------------	-----

## Shipbuilding

Identification	ABS
----------------	-----

## Shipbuilding

Identification	LR
----------------	----

## Shipbuilding

Identification	BV
----------------	----

## Ex data

Suited for EX-applications	No
----------------------------	----

# UPS-BAT/PB/24DC/1.2AH - Battery module

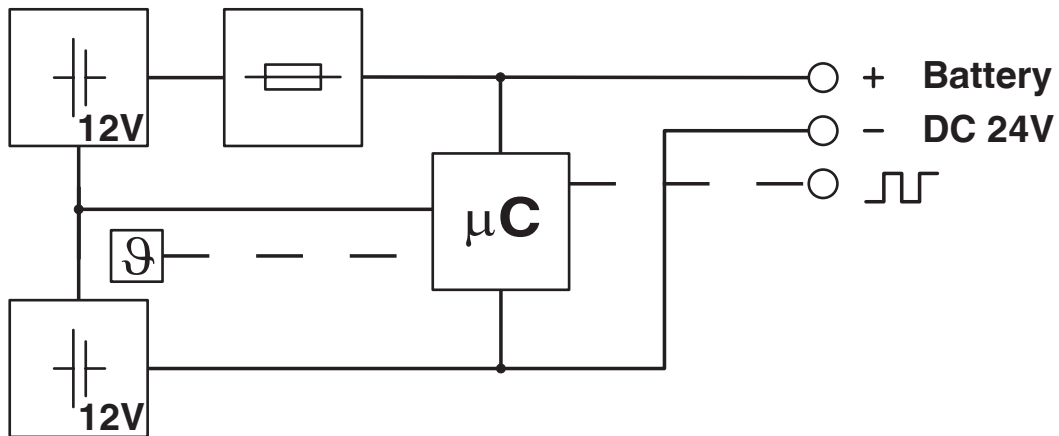


1274520

<https://www.phoenixcontact.com/us/products/1274520>

## Drawings

Block diagram



Block diagram

# UPS-BAT/PB/24DC/1.2AH - Battery module



1274520

<https://www.phoenixcontact.com/us/products/1274520>

## Approvals

To download certificates, visit the product detail page: <https://www.phoenixcontact.com/us/products/1274520>

### ABS

Approval ID: 22-2244289-PDA



### EAC

Approval ID: RU\*DE\*01.B.78948/21



### cULus Listed

Approval ID: FILE E 123528



### LR

Approval ID: LR22136091TA



### BV

Approval ID: 41516/B0 BV

### DNV

Approval ID: TAA0000265

	Nominal voltage $U_N$	Nominal current $I_N$	Cross section AWG	Cross section $\text{mm}^2$
	500 V	41 A	-	- 6



### IECEE CB Scheme

Approval ID: DK-134807-A1-UL



### cULus Listed

Approval ID: FILE E 199827

# UPS-BAT/PB/24DC/1.2AH - Battery module



1274520

<https://www.phoenixcontact.com/us/products/1274520>

## Classifications

### ECLASS

ECLASS-11.0	27050403
ECLASS-12.0	27050403
ECLASS-13.0	27050403

### ETIM

ETIM 9.0	EC000357
----------	----------

### UNSPSC

UNSPSC 21.0	26111700
-------------	----------

# UPS-BAT/PB/24DC/1.2AH - Battery module



1274520

<https://www.phoenixcontact.com/us/products/1274520>

## Environmental product compliance

### EU RoHS

Fulfills EU RoHS substance requirements	Yes
Exemption	7(c)-I

### China RoHS

Environment friendly use period (EFUP)	EFUP-8
	An article-related China RoHS declaration table can be found in the download area for the respective article under "Manufacturer declaration". For all articles with EFUP-E, no China RoHS declaration table issued and required.

### EU REACH SVHC

REACH candidate substance (CAS No.)	Lead(CAS: 7439-92-1)
-------------------------------------	----------------------



# UPS-BAT/PB/24DC/1.2AH - Battery module



1274520

<https://www.phoenixcontact.com/us/products/1274520>

## Accessories

### QUINT-ADAPTER/4 - Mounting adapter

2866857

<https://www.phoenixcontact.com/us/products/2866857>

Assembly adapter for QUINT-BAT/24DC... on 35mm rail



---

### FUSE 15A/32V FK1 - Fuse

2908360

<https://www.phoenixcontact.com/us/products/2908360>

Fuse, nominal current: 15 A, length: 11.9 mm, width: 3.8 mm, height: 16.2 mm



# UPS-BAT/PB/24DC/1.2AH - Battery module



1274520

<https://www.phoenixcontact.com/us/products/1274520>

## UPS-BAT-KIT/PB/2X12V/1.2AH - Uninterruptible power supply replacement battery

1283114

<https://www.phoenixcontact.com/us/products/1283114>



Replacement battery, VRLA-AGM, 2x12 V DC, 1.2 Ah. Only for 1274520 UPS-BAT/PB/24DC/1.2AH and 2320254 QUINT-UPS/24DC/24DC/5/1.3AH from V/C 05

---

Phoenix Contact 2024 © - all rights reserved

<https://www.phoenixcontact.com>

Phoenix Contact USA  
586 Fulling Mill Road  
Middletown, PA 17057, United States  
(+717) 944-1300  
[info@phoenixcon.com](mailto:info@phoenixcon.com)