

UPS-BAT/PB/24DC/12AH - Battery module



1274119

<https://www.phoenixcontact.com/us/products/1274119>

Please be informed that the data shown in this PDF document is generated from our online catalog. Please find the complete data in the user documentation. Our general terms of use for downloads are valid.



Battery module, VRLA-AGM, 24 V DC, 12 Ah, automatic detection and communication with QUINT UPS-IQ

Product description

For continuous monitoring and intelligent management, there is constant communication with the QUINT UPS. Thanks to automatic detection of the battery module and tool-free switching during operation, quick installation is possible. The battery modules for QUINT UPS with IQ Technology are fully charged before being sent to our warehouse.

Your advantages

- Maximum buffer times
- Lead AGM (Absorbent Glass Mat) technology

Commercial data

Item number	1274119
Packing unit	1 pc
Minimum order quantity	1 pc
Sales key	CM24
Product key	CMUEV3
GTIN	4063151466510
Weight per piece (including packing)	9,930 g
Weight per piece (excluding packing)	9,734 g
Customs tariff number	85072080
Country of origin	CN

UPS-BAT/PB/24DC/12AH - Battery module



1274119

<https://www.phoenixcontact.com/us/products/1274119>

Technical data

Notes

General

Note on the battery	This product contains a battery with a limited shelf life that must be charged every few months. The product packaging indicates when the battery must be started up or recharged. The general shelf life can be found in the technical data area under "Latest startup".
---------------------	---

Energy storage

Input

Input voltage	24 V DC (SELV)
Nominal capacity	12 Ah
Charging current	3.6 A
End-of-charge voltage	27.6 V DC (20 °C)

Output

Output voltage	24 V DC
Output current	max. 50 A
Output fuse	2x 25 A
Buffer time	21 min. (20 A) 8 min. (40 A)

General

Connection in parallel	yes max. 5
Connection in series	No
Battery type	BB Battery BP 12-12FR
Battery technology	VRLA-AGM
IQ-Technology	yes
Latest startup date (battery only)	12 Months (0 °C ... 20 °C)
Latest startup (battery only) - range	9 Months ... 12 Months (20 °C ... 30 °C) 6 Months ... 9 Months (30 °C ... 40 °C)
Accumulator module service life (according to Eurobat)	6 (20 °C)
Size designation	Block
Battery pack	yes
Suitable for fast charging	yes
Temperature sensor	yes
Number of replacement battery kits	1x (UPS-BAT-KIT/PB/2X12V/12AH (1283121))

Product properties

Product type	Battery module
Product family	Battery module

UPS-BAT/PB/24DC/12AH - Battery module



1274119

<https://www.phoenixcontact.com/us/products/1274119>

Application	for QUINT4 DC-UPS, QUINT4 AC-UPS, QUINT-UPS, and TRIO-UPS-2G
Disposal	Used batteries must not be thrown away with household waste, they should instead be disposed of in accordance with applicable national regulations.

Insulation characteristics

Protection class	III
Degree of pollution	2

Dimensions

Item dimensions

Width	202 mm
Height	202 mm
Depth	110 mm

Drill hole

Diameter	5 mm
----------	------

Installation dimensions

Installation distance right/left	0 mm / 0 mm
Installation distance top/bottom	50 mm / 50 mm

Mounting

Mounting position	horizontal DIN rail NS 35, EN 60715
-------------------	-------------------------------------

Material specifications

Housing material	Metal
Type of housing	Galvanized sheet steel, powder-coated

Environmental and real-life conditions

Ambient conditions

Degree of protection	IP20
Ambient temperature (storage/transport)	-20 °C ... 40 °C
Ambient temperature (charge)	0 °C ... 40 °C
Ambient temperature (discharge)	-20 °C ... 50 °C
Max. permissible relative humidity (operation)	≤ 95 %
Shock	15g, 11 ms, in each space direction (in accordance with IEC 60068-2-27)
Vibration (operation)	5 Hz ... 100 Hz, 0.7g (in accordance with DNV/IEC 600068-2-6)

Approvals

UL

Identification	UL/C-UL Listed UL 61010-1
----------------	---------------------------

UL

UPS-BAT/PB/24DC/12AH - Battery module



1274119

<https://www.phoenixcontact.com/us/products/1274119>

Identification	UL/C-UL Listed ANSI/UL 121201 Class I, Division 2, Groups A, B, C, D (Hazardous Location)
----------------	---

Shipbuilding

Identification	DNV
----------------	-----

Shipbuilding

Identification	ABS
----------------	-----

Shipbuilding

Identification	LR
----------------	----

Shipbuilding

Identification	BV
----------------	----

Ex data

Suited for EX-applications	No
----------------------------	----

UPS-BAT/PB/24DC/12AH - Battery module

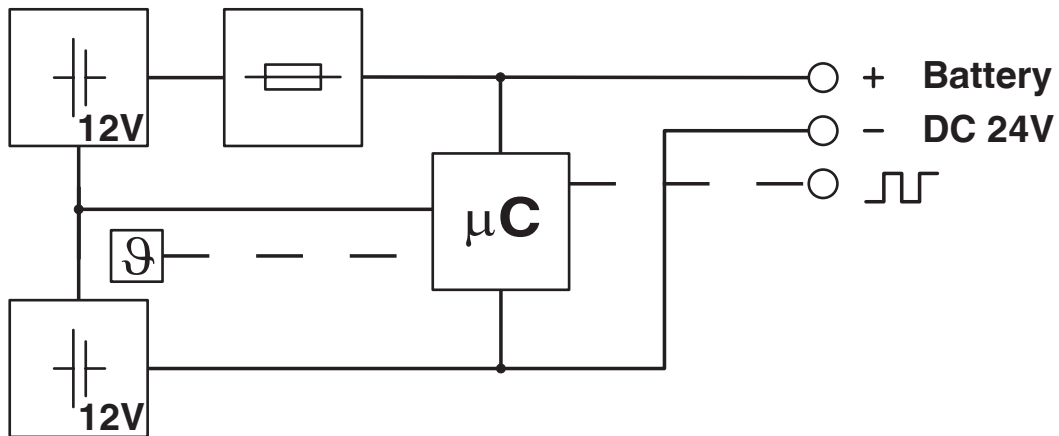


1274119

<https://www.phoenixcontact.com/us/products/1274119>

Drawings

Block diagram



Block diagram

UPS-BAT/PB/24DC/12AH - Battery module



1274119

<https://www.phoenixcontact.com/us/products/1274119>

Approvals

To download certificates, visit the product detail page: <https://www.phoenixcontact.com/us/products/1274119>

ABS

Approval ID: 22-2244289-PDA



EAC

Approval ID: RU*DE*01.B.78948/21



cULus Listed

Approval ID: FILE E 123528



LR

Approval ID: LR22136091TA



BV

Approval ID: 41516/B0 BV

DNV

Approval ID: TAA0000265

	Nominal voltage U_N	Nominal current I_N	Cross section AWG	Cross section mm^2
	500 V	41 A	-	- 6



IECEE CB Scheme

Approval ID: DK-134807-A1-UL



cULus Listed

Approval ID: FILE E 199827

UPS-BAT/PB/24DC/12AH - Battery module



1274119

<https://www.phoenixcontact.com/us/products/1274119>

Classifications

ECLASS

ECLASS-11.0	27050403
ECLASS-12.0	27050403
ECLASS-13.0	27050403

ETIM

ETIM 9.0	EC000357
----------	----------

UNSPSC

UNSPSC 21.0	26111700
-------------	----------

UPS-BAT/PB/24DC/12AH - Battery module



1274119

<https://www.phoenixcontact.com/us/products/1274119>

Environmental product compliance

EU RoHS

Fulfills EU RoHS substance requirements	Yes
Exemption	7(c)-I

China RoHS

Environment friendly use period (EFUP)	EFUP-8
	An article-related China RoHS declaration table can be found in the download area for the respective article under "Manufacturer declaration". For all articles with EFUP-E, no China RoHS declaration table issued and required.

EU REACH SVHC

REACH candidate substance (CAS No.)	Lead(CAS: 7439-92-1)
SCIP	e5ec962e-167d-425b-85e2-113ddb104ff8

UPS-BAT/PB/24DC/12AH - Battery module



1274119

<https://www.phoenixcontact.com/us/products/1274119>

Accessories

QUINT-ADAPTER/4 - Mounting adapter

2866857

<https://www.phoenixcontact.com/us/products/2866857>

Assembly adapter for QUINT-BAT/24DC... on 35mm rail



FUSE 25A/32V ATOF - Fuse

2908366

<https://www.phoenixcontact.com/us/products/2908366>

Fuse, nominal current: 25 A, length: 19.1 mm, width: 5 mm, height: 18.8 mm



UPS-BAT/PB/24DC/12AH - Battery module

1274119

<https://www.phoenixcontact.com/us/products/1274119>



UPS-BAT-KIT/PB/2X12V/12AH - Uninterruptible power supply replacement battery

1283121

<https://www.phoenixcontact.com/us/products/1283121>

Replacement battery, VRLA-AGM, 2x12 V DC, 12 Ah



Phoenix Contact 2024 © - all rights reserved

<https://www.phoenixcontact.com>

Phoenix Contact USA
586 Fulling Mill Road
Middletown, PA 17057, United States
(+717) 944-1300
info@phoenixcon.com