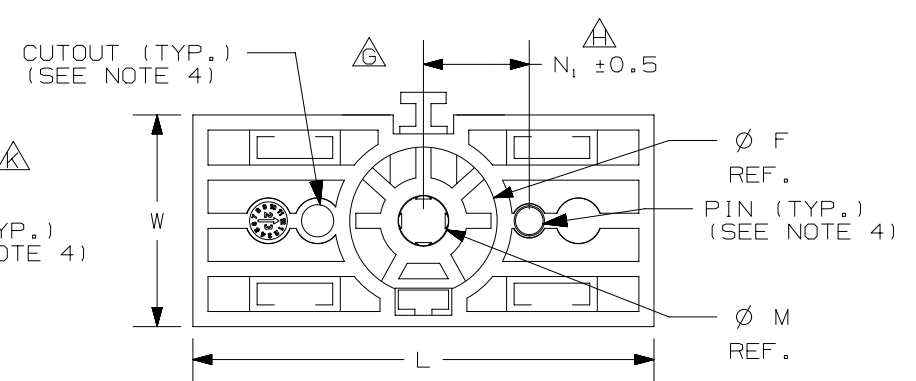
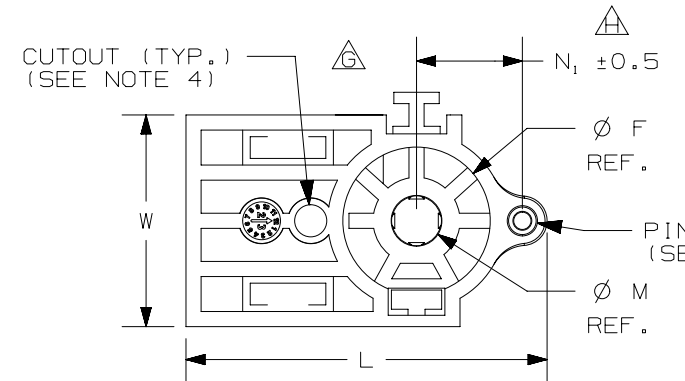
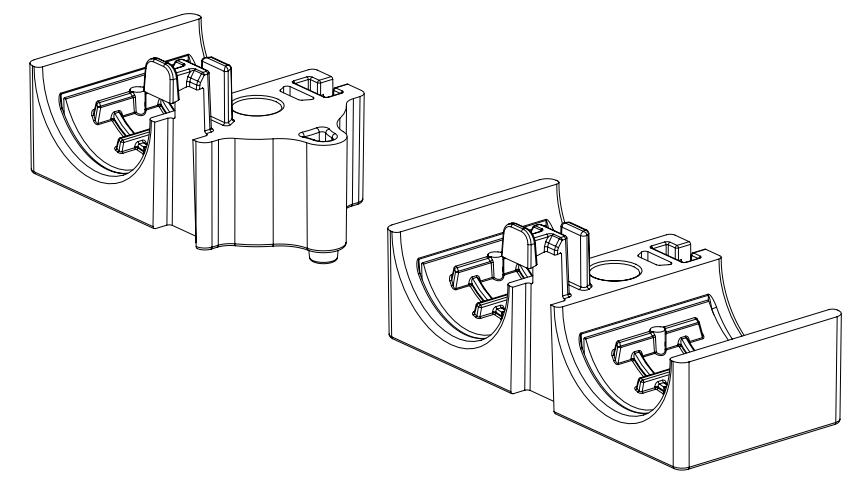
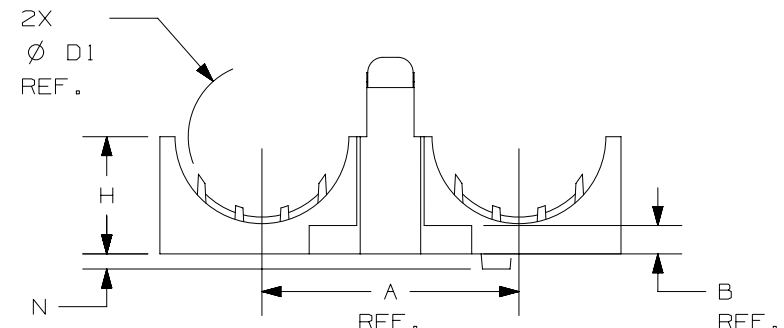
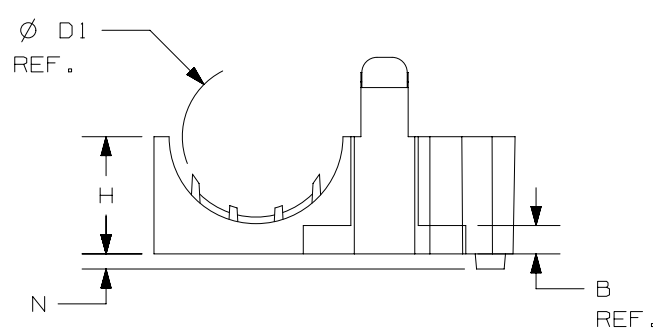




PART NUMBER	CLAMP COLOR	INSERT COLOR	"L" in. (mm)	"W" in. (mm)	"H" in. (mm)	"A" REF. in. (mm)	"B" REF. in. (mm)	Ø D1 REF. in. (mm)	Ø F REF. in. (mm)	Ø M REF. in. (mm)	"N" in. (mm)	"N1" in. (mm)	DIAMETER RANGE in. (mm)	REF. CABLE SIZE AWG (mm) See Note 9	WEIGHT LBS./100 PC (GRAMS/100 PC)
HV23CC1-C378	GREY		1.85 (47.0)	1.10 (28.0)	0.61 (15.5)	N/A	0.15 (3.8)	0.90 (23.0)					0.75 - 0.90 (19.0 - 23.0)	3/0-4/0 (85-120)	2.2 (985)
HV23CC2-C378			2.40 (61.0)			1.34 (34)									2.9 (1,329)
HV19CC1-C370	BLACK	BLACK	1.69 (43.0)		N/A	0.75 (19.0)	0.77 (19.5)	0.26 (6.5)	0.08 (2.0)	0.55 (14.0)	0.59 - 0.75 (15.0 - 19.0)	1-2/0 (50-70)	1.8 (802)		
HV19CC2-C370			2.12 (54.0)		1.18 (30)								2.3 (1,065)		
HV15CC1-C376	BLUE		1.69 (43.0)		N/A	0.59 (15.0)					0.43 - 0.59 (11.0 - 15.0)	4-2 (25-40)	1.9 (843)		
HV15CC2-C376			2.09 (53.0)		1.10 (28)								2.5 (1,156)		



- NOTES:
- MATERIAL:
 - CLAMP: PA6.6 13% GF HEAT STABLE PER ASTM D4066
 - INSERT: TPV, SHORE 51A
 - FINISH: PLAIN
 - CONTINUOUS OPERATING TEMPERATURE: -40°F TO 275°F (-40°C TO 135°C)
 - ANTI ROTATION NODES: PIN Ø0.15 in (4mm), CUTOUT Ø0.19 in (5mm)
 - MAX TORQUE: 10 lbf*ft [13 N*m]
 - DIMENSIONAL VARIANCE IS POSSIBLE DUE TO MOLDING PROCESS RELATED SINK MARKS.
 - QUANTITY OF ONE (1) PART IS AS SHOWN. QUANTITY OF TWO (2) PARTS NEEDED FOR A COMPLETE CLAMP.
 - MOUNTING BOLT SIZE 1/4" (M6)
 - REFERENCE CABLE SIZE IS BASED ON THIN WALL SHIELDED HV BATTERY CABLE WHICH UTILIZES ADDITIONAL OUTSIDE LAYER OF INSULATION. DEFER TO DIAMETER RANGE COLUMN FOR BEST FIT TO CABLE TYPE.



REV	DATE	BY	CHK	APR	DESCRIPTION	ECN
03C	9-6-23	MDS	DAEI	DJSL	K. ADDED "PIN" & "CUTOUT" NOTES TO VIEWS. J. ADDED CELSIUS TEMPS. TO NOTE 3, ADDED IMPERIAL DIMS. TO NOTE 4, ADDED NOTE 9. I. ADDED IMPERIAL DIMENSIONS TO TABLE.	125915/00
03B	6-19-23	MDS	DAEI	DJSL	H. CHANGED TOLERANCE FOR "N1" TO +/- 0.5. G. REMOVED ORIGINAL "N1" DIMENSION AND CHANGED "N2" DIMENSION TO "N1".	
03A	6-2-23	MDS	DAEI	DJSL	F. CHANGED ALL DIMENSIONS IN COLUMNS "L" & "W" TO ONE DECIMAL PLACE & CHANGED HV19CC2 "L" DIM. FROM 53 TO 54.0	
02	3/13/23	MDS	DAEI	DJSL	C, D, E. UPDATED PART NUMBER TO MATCH COLOR CHANGES. ADDED CABLE SIZE COLUMN. ADDED NOTE 8.	
01	2/17/22	DJSL	MDS	GSI	A & B. UPDATED COLORS FOR CLAMPS & INSERTS IN TABLE	
00	11/28/22	DJSL	DAEI	GSI	DRAWING RELEASED	

TITLE		HIGH VOLTAGE CABLE CLAMP FAMILY	
		CUSTOMER DRAWING	
ITEM REVISION NAME		01110EAA/03	
DATASET FILE NAME		01110EAA_DC/03	
UNLESS OTHERWISE SPECIFIED, DIMENSIONAL TOLERANCES ARE: IN [mm]		MATERIAL:	
.x ± .1 [2.54]		NYLON 6.6, HEAT STABLE, 13% GLASS	
.xxx ± .005 [.127]		DRAWING NUMBER:	
.xx ± .01 [.25]		01110EAA_DC	
THIRD ANGLE PROJECTION		SHT 1 OF 1	
DRAWN BY	DATE	CHK	SCALE
DJSL	11/28/22		NONE

NXGLOBAL_BSIZE