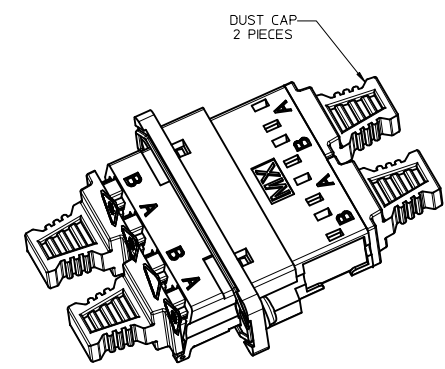
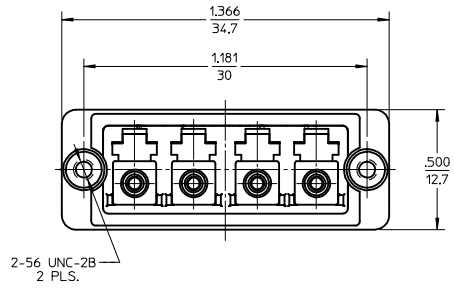
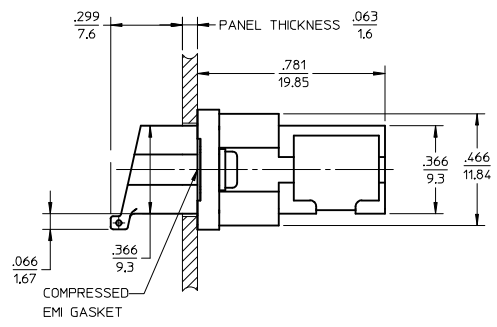
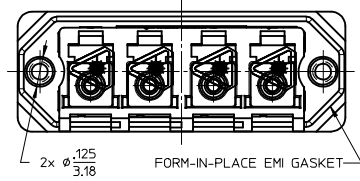
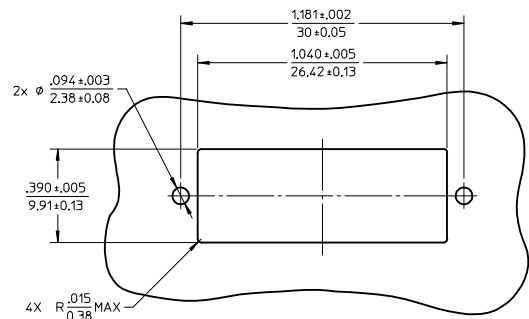
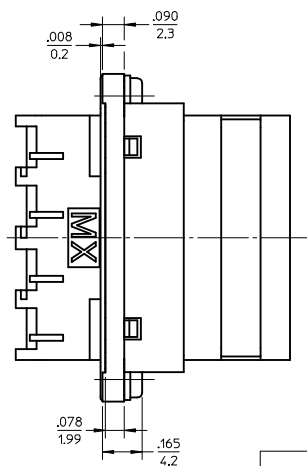


ISO VIEW 2  
SCALE 2:1



ISO VIEW 1  
SCALE 2:1



RECOMMENDED  
MOUNTING PATTERN

- NOTES:
- ALL DIMENSIONS ARE FOR REFERENCE.
  - DUST CAPS SHOWN IN ISOMETRIC VIEWS ONLY.
  - LC EMI QUAD ADAPTER HAS SC DUPLEX ADAPTER FOOTPRINT.

<b>ENTER DESCRIPTION</b> EC NO: MF2013-0549 DRW:KPEVZNER 2013/03/04 CHKD: APPR:IGJMIN 2013/03/07	<b>QUALITY SYMBOLS</b> 	<b>GENERAL TOLERANCES (UNLESS SPECIFIED)</b>		<b>DIMENSION STYLE</b> IN/MM	<b>SCALE</b> 2.5:1	<b>DESIGN UNITS</b> INCH	<b>THIRD ANGLE PROJECTION</b>		
		4 PLACES ± --- ± --- 3 PLACES ± --- ± --- 2 PLACES ± --- ± --- 1 PLACE ± --- ± --- 0 PLACE ± ±	mm INCH ± --- ± --- ± --- ± --- ± --- ± --- ± --- ± --- ± ±	DRAWN BY KPEVZNER	DATE 2010/09/09	TITLE LC EMI QUAD ADAPTER SCREW MOUNT NO SHUTTERS			
		APPROVED BY WCHEN		DATE 2010/09/10	MATERIAL NO. 1061230660	DOCUMENT NO. SD-106123-0660			
		DRAFT WHERE APPLICABLE MUST REMAIN WITHIN DIMENSIONS		SIZE C		THIS DRAWING CONTAINS INFORMATION THAT IS PROPRIETARY TO MOLEX INCORPORATED AND SHOULD NOT BE USED WITHOUT WRITTEN PERMISSION			