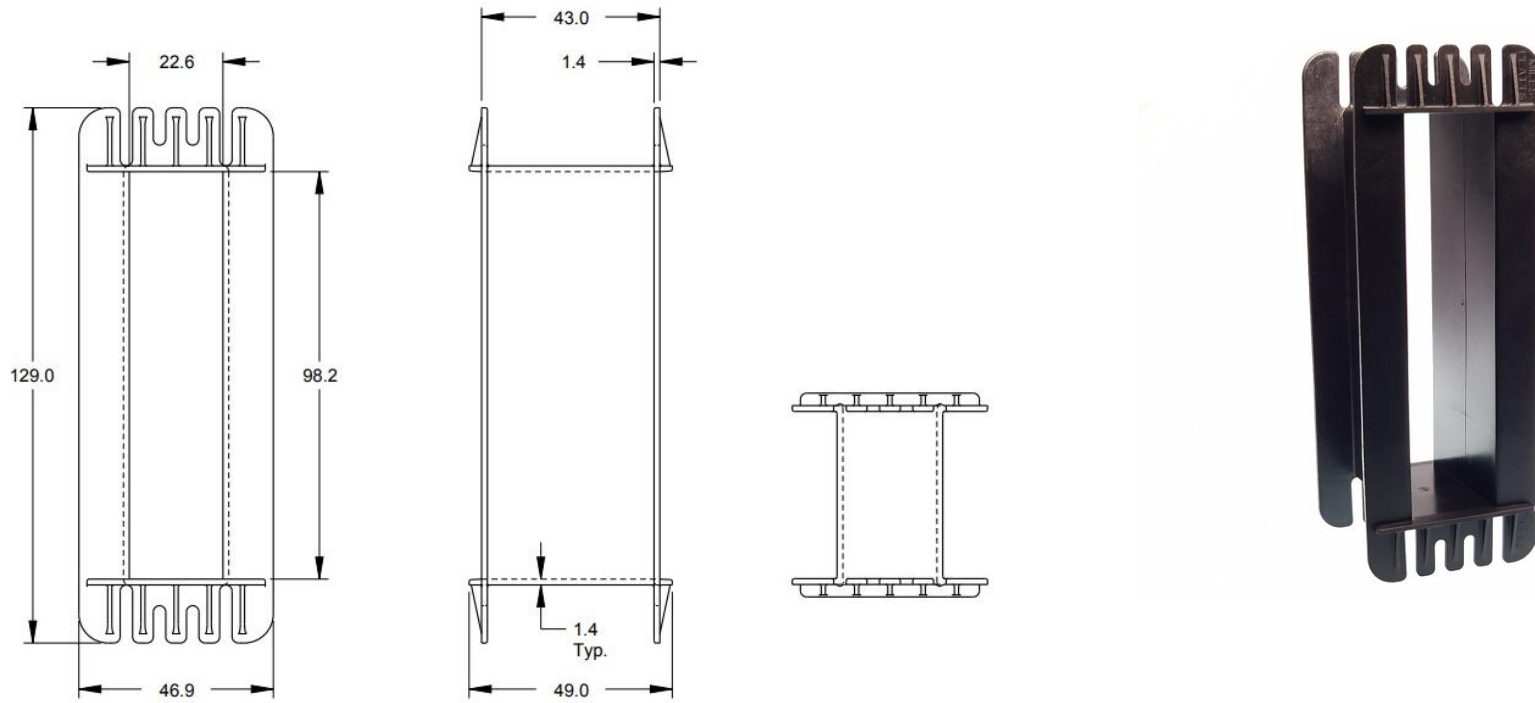




FE0410



Part Number FE0410	Part Weight (g) 39.6	Carton Quantity 100	Pinning Configuration n/a
Order Code FE0410FR3BLK	Material Rynite FR530L	Carton Size (mm) 465x315x260	Pin Length n/a
Part Description Bobbin E70/33/32 V OP 3x Stack	Material Datasheets	Related Items FE0390, FE0400	Terminal Pin Material n/a
Product Range E/EF Range	UL Rating UL94V0	3D CAD Image	Compliance information

MILES - PLATTS

+44 (0)116 264 3850

milesplatts.co.uk

enquiries@milesplatts.co.uk