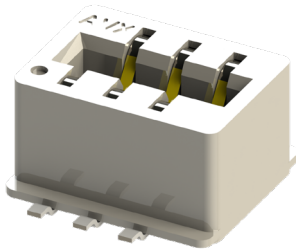


Dual Row Inverted Thru Board Card Edge

9159-600



GENERAL DESCRIPTION

KYOCERA AVX Interconnect continues to develop unique connectors to fill the gap in the market. The newest addition to KYOCERA AVX's broadening line of one piece card edge connectors is the 4p-12p Dual Row Inverted version 9159-600, which is extension of popular single row version 9159-500. This new configuration with staggered dual row contacts will allow doubled number of positions in similar size of the connector.

This small connector is packed with several key features that provide significant functionality in a broad range of applications. The proven contact system is gold plated for enhanced reliability, signal integrity and full 2.5A/contact current rating. The connector is designed for mating PCB board with 1.6mm thickness and gold plated pads.

APPLICATIONS

Provides a one piece connector solution for perpendicular PCB mating in applications:

- Automotive
- Industrial
- Lighting

Product Specification: refer to 201-01-226

Application Notes: refer to 201-01-227.

FEATURES AND BENEFITS

- 2.5 Amps per contact current rating meets robust application requirements
- Doubled number of positions with dual row solution
- Gold plated BeCu contact system for high reliability in harsh environments
- Low profile thru board design does not interfere with LEDs.

ELECTRICAL

- Current Rating: 2.5 Amps / Contact
- Voltage Rating: 300 VAC or DC Equivalent

ENVIRONMENTAL

- Operating Temperature: -40°C to +125°C
- Storage Temperature: -40°C to +70°C

MECHANICAL

- Insulator Material: High temperature Nylon UL94V-0 rated
- Contact Material: Beryllium Copper
- Durability: 10 Cycles
- Plating: Gold / Tin over Nickel

HOW TO ORDER

00 Prefix
9159 Series

0XX
No. of Ways

Code	Size	Contacts
004	2x2	4
006	2x3	6
008	2x4	8
010	2x5	10
012	2x6	12

60X
Dual Row Inverted Thru Board Card Edge
601 = with Kapton Tape
603 = without Kapton Tape

9
Insulator Color

Code	Color	Application
9	White	UL Approved Standard

0
Keying
0 = Without keying

6
Plating Options
6 = Gold plating on nose with Tin on Tails

Safety Standards: UL 1977-File #E90723



Dual Row Inverted Thru Board Card Edge

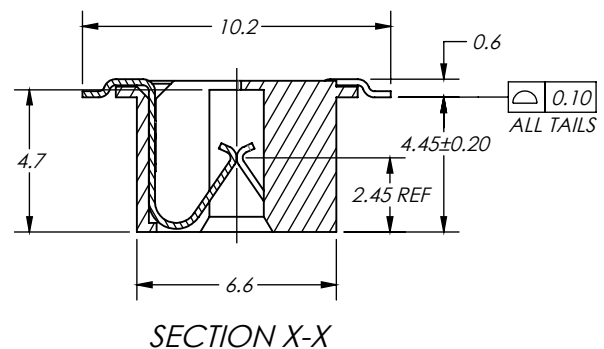
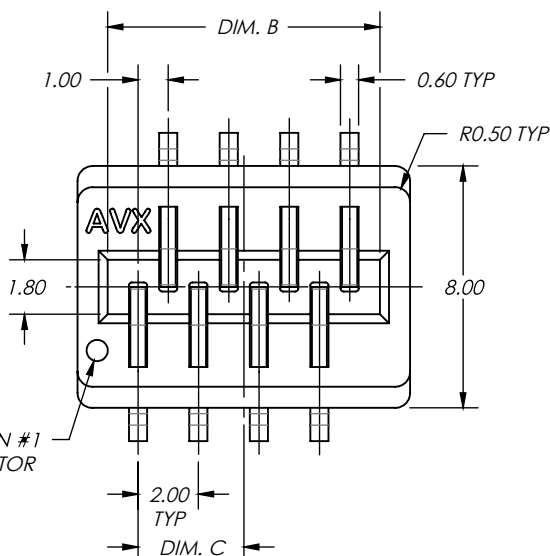
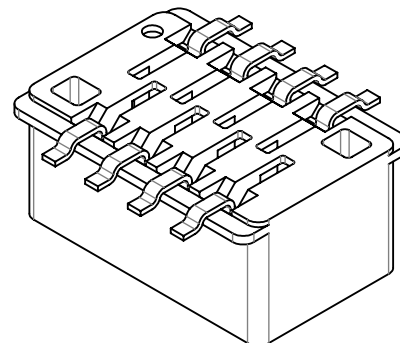
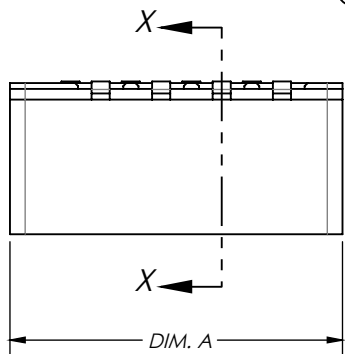
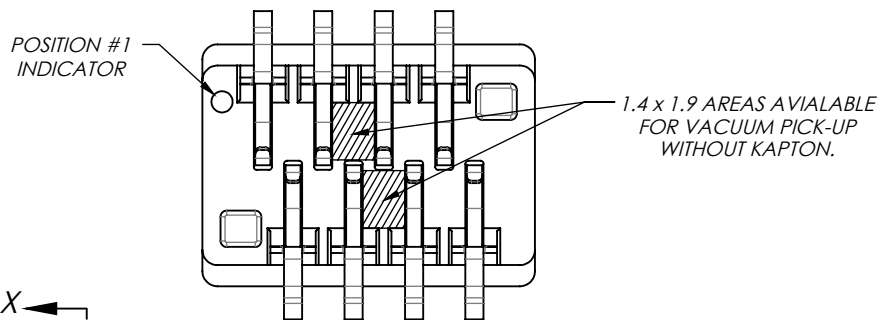
9159-600



00 9159 0XX 60X 906

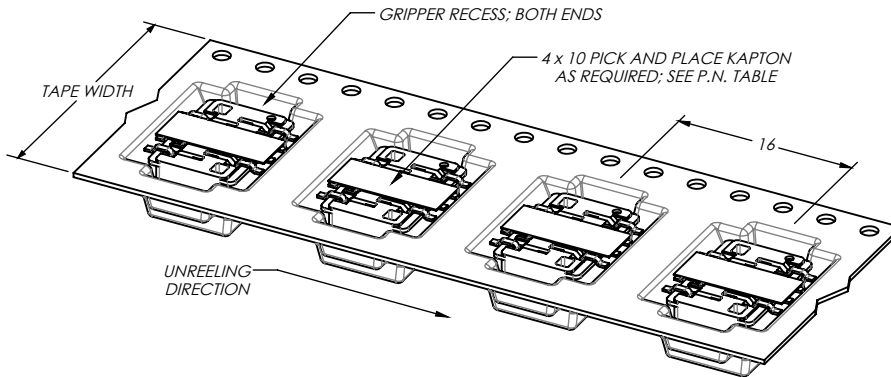
DIMENSIONS

Part Number	Size	Dim. A	Dim. B	Dim. C	Dim. D	Dim. E	Tape Width	Kapton
00-9159-004-601-906	2 x 2	7.00	5.00	1.50	4.80	7.20	24	Yes
00-9159-004-603-906								No
00-9159-006-601-906	2 x 3	9.00	7.00	2.50	6.80	9.20	24	Yes
00-9159-006-603-906								No
00-9159-008-601-906	2 x 4	11.00	9.00	3.50	8.80	11.20	24	Yes
00-9159-008-603-906								No
00-9159-010-601-906	2 x 5	13.00	11.00	4.50	10.80	13.20	32	Yes
00-9159-010-603-906								No
00-9159-012-601-906	2 x 6	15.00	13.00	5.50	12.80	15.20	32	Yes
00-9159-012-603-906								No



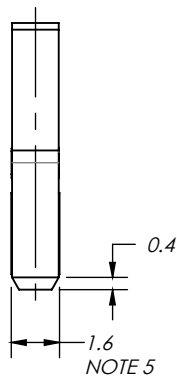
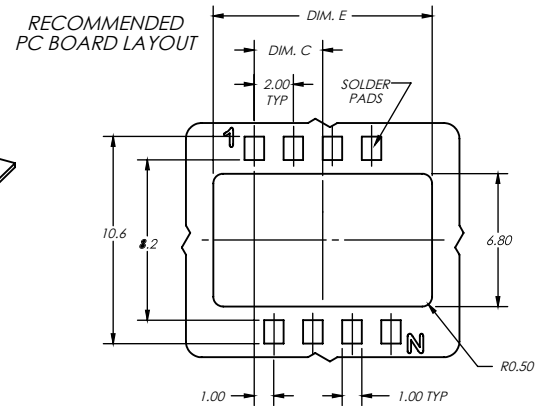
Dual Row Inverted Thru Board Card Edge

9159-600

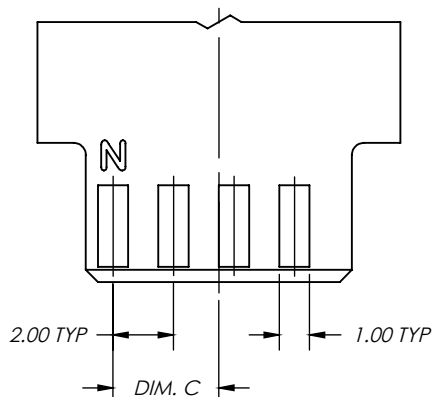
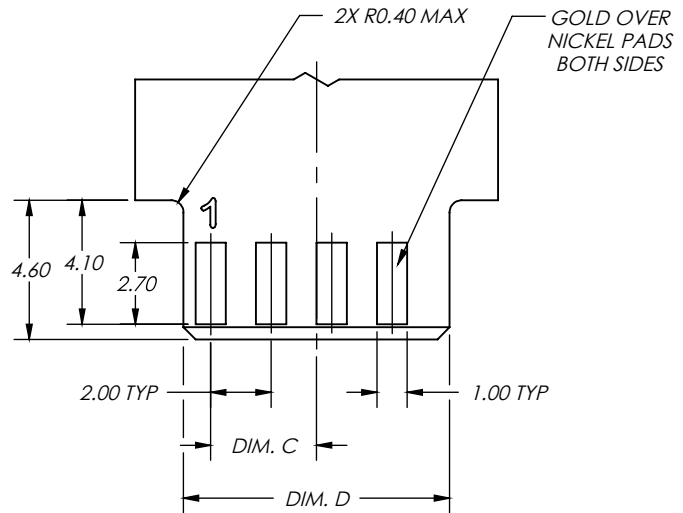


PACKAGING PER EIA-481

700 PARTS PER 330 MM REEL



RECOMMENDED MATING PC BOARD LAYOUT



NOTES:

1. FOR FURTHER DETAILS, REFER TO KYOCERA AVX SPECIFICATION 201-01-226 AND APPLICATION NOTES 201-01-227.
2. HOUSING MATERIAL: GLASS-FILLED, HIGH TEMPERATURE NYLON; FLAME RETARDANT PER UL94V-0; COLOR: NATURAL.
3. CONTACT MATERIAL: HIGH STRENGTH COPPER ALLOY.
4. CONTACT PLATING: NICKEL UNDERPLATE ALL OVER; GOLD FLASH IN CONTACT AREA; LEAD-FREE MATTE TIN ON TAILS..
5. MATING PCB THICKNESS TO INCLUDED COPPER AND PLATING.
6. UL APPROVED, REFERENCE NUMBER E90723 (US AND CANADA).